

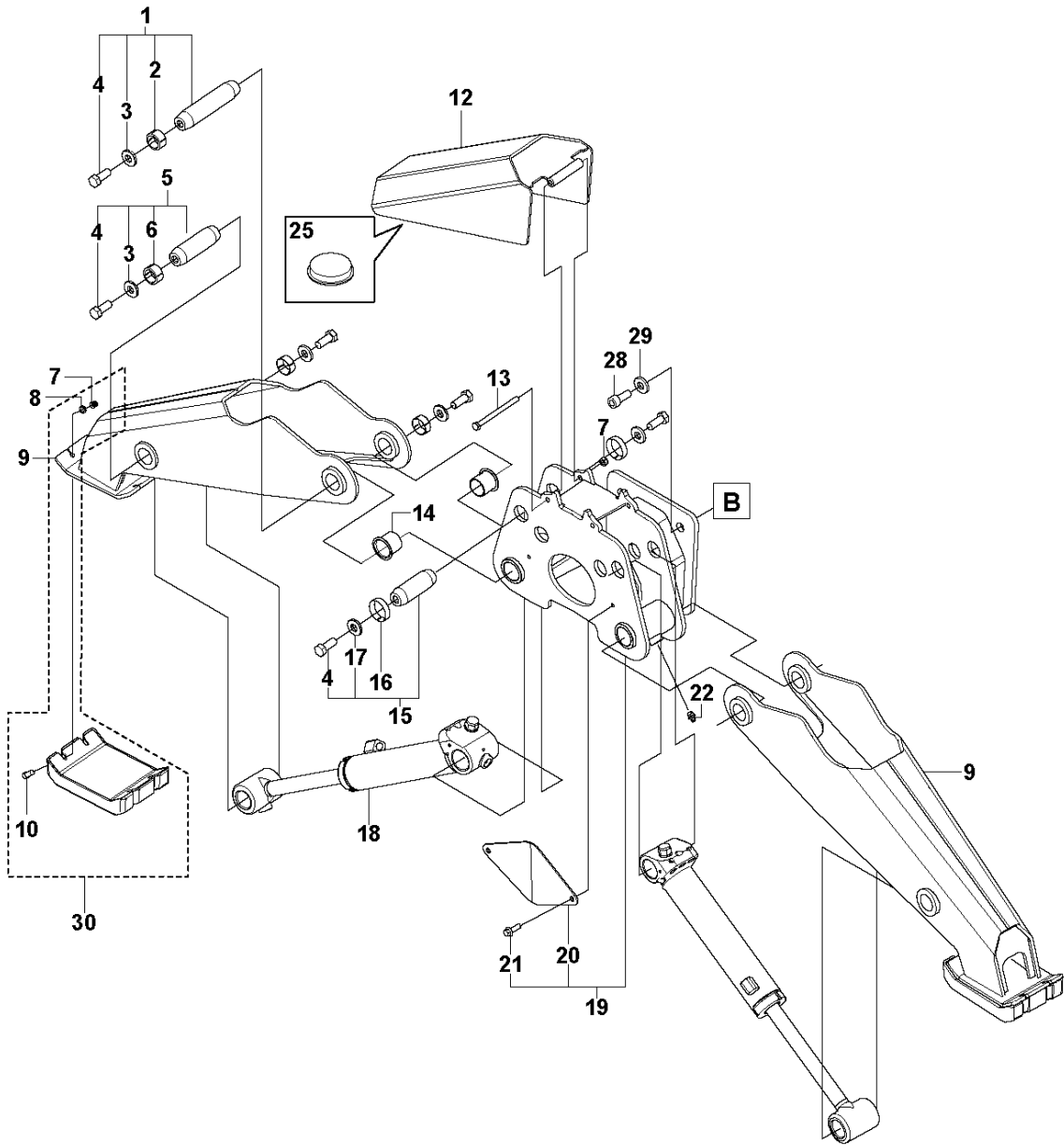


# SPARE PARTS LIST

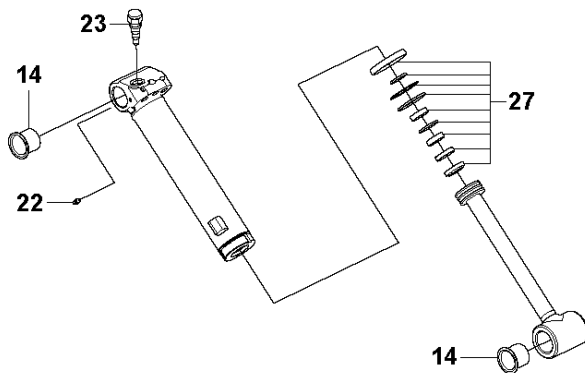
DEMOLITION ROBOTS

DXR 275, 2021-12

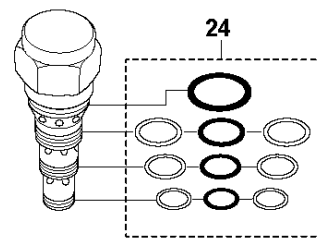
**A** DXR 275  
SUPPORT LEGS



18



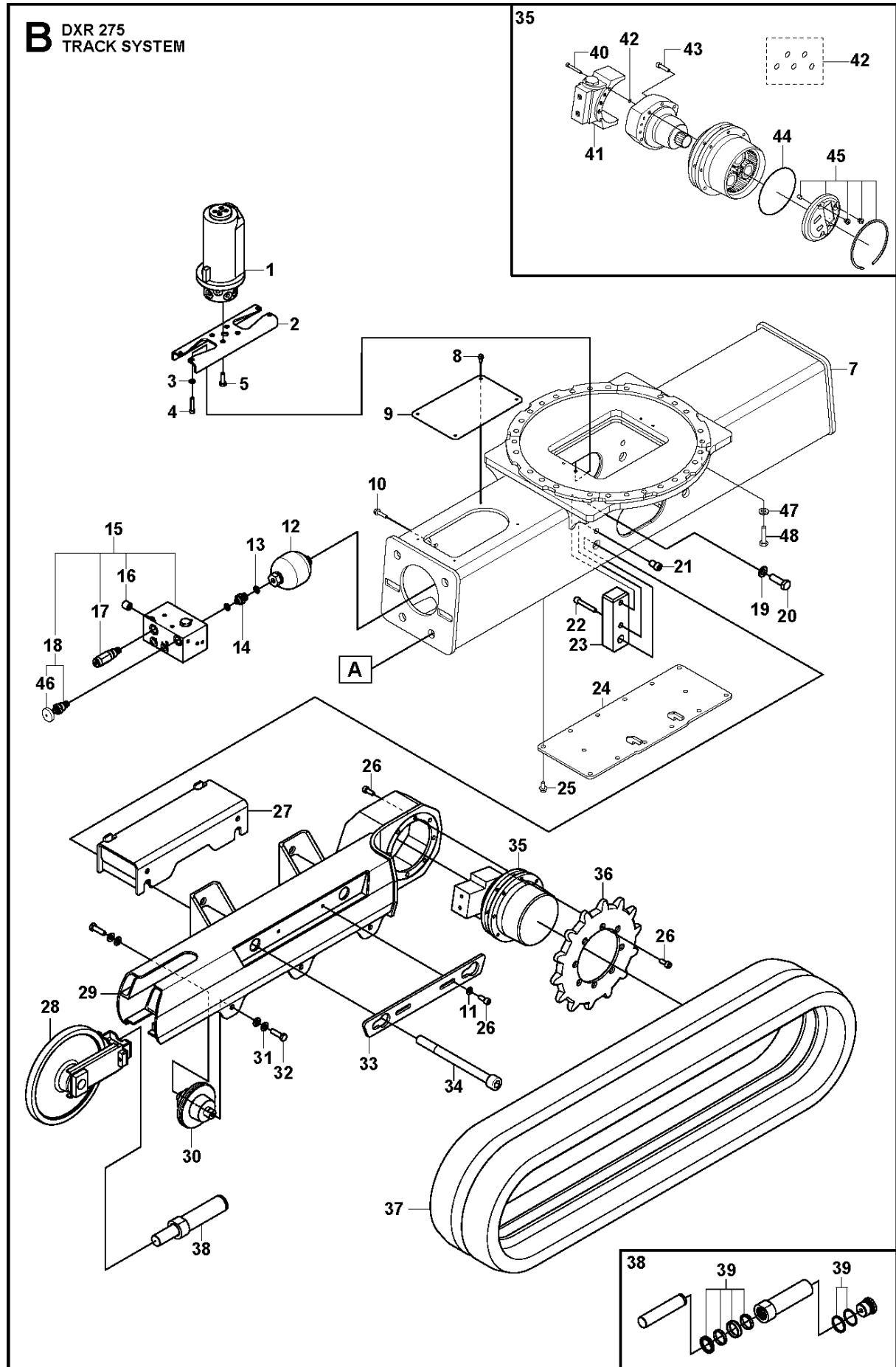
23



## SUPPORT LEGS

DXR 275, 2021-12

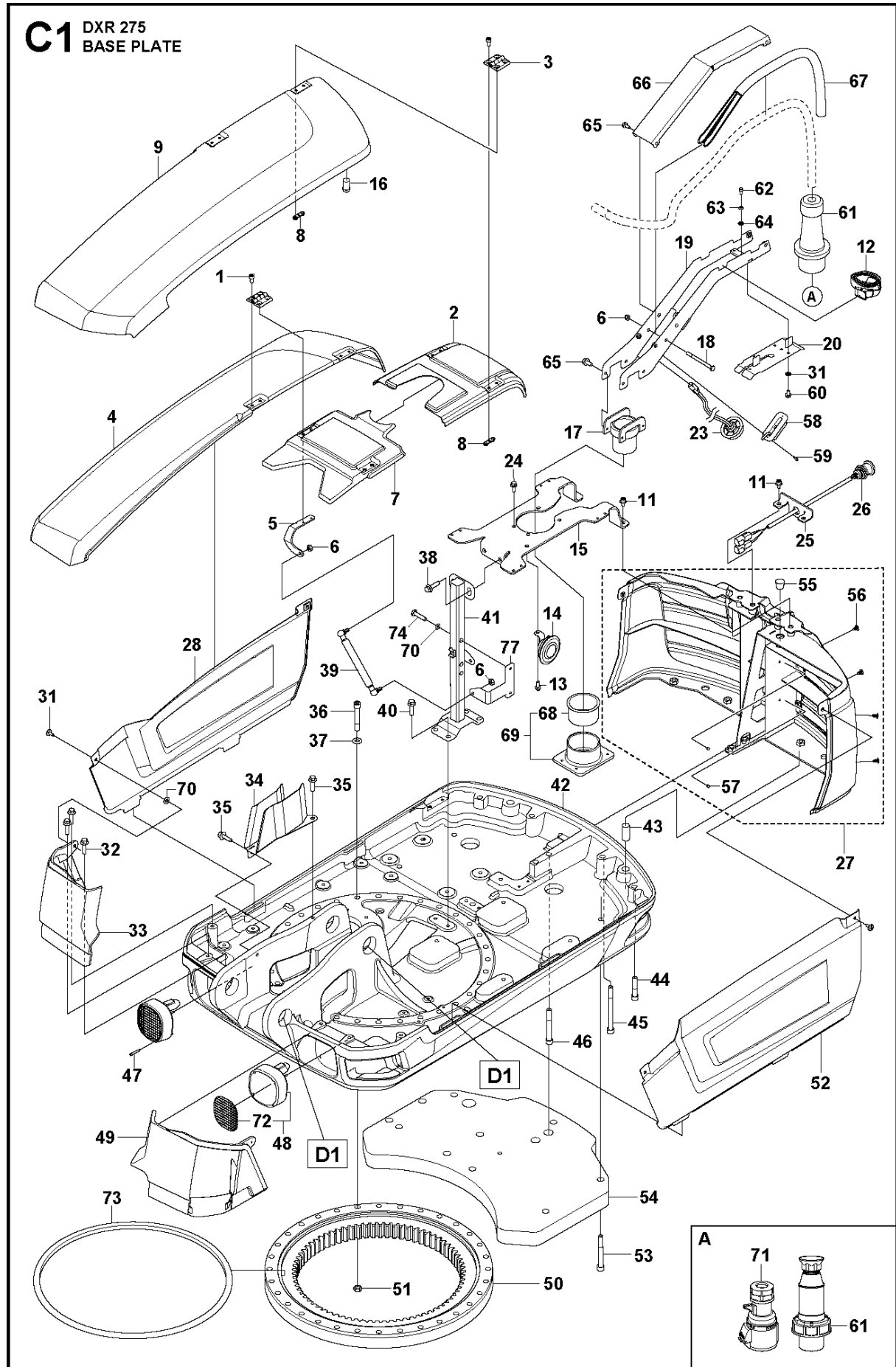
Ref	Part No	Description	Remark	QTY	KIT
1	505 25 20-01	SHAFT ASSY		4	
2	522 84 13-01	SLEEVE		8	1
3	582 30 03-01	WASHER		16	1, 5
4	522 84 23-01	SCREW EHHM		24	1, 5, 15
5	505 25 18-01	SHAFT ASSY		4	
6	522 84 12-01	SLEEVE		8	5
7	522 66 95-01	LOCK NUT		16	
8	522 67 17-01	WASHER		16	
9	580 98 53-01	BEAM	Front right & Rear left	4	
10	576 43 68-01	SCREW EHHFM		4	
12	599 78 25-01	HYDRAULIC CYLINDER		4	
13	505 25 15-01	SHAFT ASSY		4	
14	522 84 11-01	SLEEVE		8	18
15	522 84 19-01	WASHER		8	
16	522 66 72-01	SCREW IHSCM		16	15
17	522 84 19-01	WASHER		8	15
18	574 25 89-01	SCREW EHHFM		4	
19	580 99 19-01	PLATE		2	
20	580 98 94-01	BRACKET		2	19
21	504 89 53-01	LUBRICATION NIPPLE		12	19
22	581 63 97-01	PROTECTION	Front left & Rear right	4	18
23	581 00 03-01	VALVE		4	18
24	599 27 36-01	SEAL KIT		4	18, 23
25	589 34 70-01	DAMPER		16	
27	522 85 74-01	SEAL		4	18
28	575 73 41-01	SCREW IHSCM		8	
29	522 67 22-01	WASHER		8	
30	587 18 63-02	FOOTPLATE		1	7, 8, 9, 10



## TRACK SYSTEM

DXR 275, 2021-12

Ref	Part No	Description	Remark	QTY	KIT
1	505 29 25-01	SWIVEL		1	
2	504 88 67-01	BRACKET		1	
3	522 67 16-01	WASHER		4	
4	725 54 55-01	SCREW IHSCM		4	
5	522 70 66-01	SCREW EHHFM		4	
7	588 15 65-01	BODY		1	
8	522 66 86-01	SCREW EHHFM		4	
9	505 21 58-01	PLATE		1	
10	506 67 54-03	SCREW EHHFM		2	
11	522 67 17-01	WASHER		4	
12	504 89 84-01	ACCUMULATOR		1	
13	521 89 30-01	WASHER		1	
14	510 19 01-01	ADAPTER		1	
15	515 98 14-01	VALVE HOUSING		1	
16	522 51 65-01	SLEEVE		2	15
17	515 98 19-01	VALVE		1	15
18	515 98 18-01	VALVE		1	15
19	522 67 19-01	WASHER		4	
20	522 66 79-01	SCREW EHHM		4	
21	580 83 34-01	GUIDE PIN		4	
22	522 66 73-01	SCREW IHSCM		4	
23	504 89 67-01	BLOCK		4	
24	588 17 04-01	COVER PLATE		1	
25	522 70 66-01	SCREW EHHFM		14	
26	501 06 21-01	SCREW IHSCM		36	
27	505 53 83-01	SPACER		2	
28	574 44 02-01	TENSION ROLLER		2	
29	505 12 22-02	FRAME	left	1	
29	505 16 22-02	FRAME	right	1	
30	505 26 86-01	SUPPORT ROLLER		6	
31	510 24 36-01	WASHER		12	
32	522 66 80-01	SCREW EHHM		12	
33	505 23 57-01	LOCKING PLATE		2	
34	504 89 88-01	SCREW		4	
35	510 16 16-01	DRIVE MOTOR		2	
36	506 10 16-01	SPROCKET		2	
37	505 26 87-01	RUBBER TRACKS		2	
38	505 26 74-01	CYLINDER		2	
39	522 85 76-01	SEAL		2	38
40	725 54 67-51	SCREW IHSCM		4	35
41	522 96 49-01	VALVE KIT		2	35
42	522 96 50-01	SEAL		2	35
43	725 54 57-51	SCREW IHSCM		8	35
44	590 34 21-01	O-RING		2	35
45	590 14 32-01	COVER KIT		2	35
46	576 38 54-01	KNOB		1	15, 18
47	510 24 36-01	WASHER		28	
48	525 61 80-01	SCREW EHHM		28	



## BASE PLATE

DXR 275, 2021-12

Ref	Part No	Description	Remark	QTY KIT
1	522 66 90-01	SCREW IHSCFM		16
2	505 31 90-01	COVER		1
3	510 36 21-01	HINGE		4
4	576 29 19-01	COVER		1
5	599 51 78-01	CONSOLE		2
6	522 66 94-01	LOCK NUT		4
7	505 31 91-01	COVER		1
8	576 27 15-01	NUT WASHER		6
9	576 29 20-01	COVER		1
11	506 67 54-03	SCREW EHHFM		4
12	522 73 36-01	STRAP		3
13	522 66 87-01	SCREW EHHFM		1
14	510 12 60-01	HORN		1
15	576 29 23-01	BRACKET		1
16	521 93 07-01	SPACER		2
17	599 94 80-01	SWIVEL BRACKET		1
18	582 29 41-01	BOLT		1
19	599 95 00-01	CABLE HOLDER		1
20	599 95 69-01	BRACKET		1
23	592 98 10-01	SERVICE KIT		1
24	522 70 71-02	SCREW EHHFM		4
25	529 78 44-01	BRACKET		1
26	531 03 25-01	SWITCH		1
27	587 20 15-01	REAR COVER		1
28	576 29 25-01	PAN		1
31	735 21 53-01	LOCKWASHER		2
32	522 70 67-01	SCREW EHHFM		6
33	582 73 00-01	PANEL		1
34	529 41 42-01	BRACKET		1
35	522 70 66-01	SCREW EHHFM		2
36	544 25 63-03	SCREW IHSCM		32
37	522 67 18-01	WASHER		64
38	574 25 89-01	SCREW EHHFM		2
39	510 13 47-02	SPRING		2
40	522 70 66-01	SCREW EHHFM		4
41	599 51 85-01	CABLE HOLDER		1
42	520 75 76-01	BASEPLATE		1
43	505 28 16-01	GUIDE PIN		6
44	522 59 75-01	SCREW IHSCM		2
45	522 59 81-01	SCREW IHSCM		2
46	522 59 79-01	SCREW IHSCM		2
47	529 31 69-01	SCREW IHSCM		8
48	505 34 90-01	HEADLIGHT		2
49	582 73 03-01	PANEL		1
50	505 26 48-01	BEARING		1
51	589 25 00-01	HEXAGON LOCKING NUT		32
52	576 29 26-01	PAN		1
53	510 24 35-01	SCREW		6
54	510 11 13-01	COUNTERWEIGHT		1
55	586 73 32-01	PLUG		2 27
56	586 84 42-01	PLUG		4 27
57	586 73 55-01	PLUG		2
58	599 96 63-01	LIGHT		1
59	582 42 06-02	SCREW		2
60	522 66 84-01	SCREW EHHFM		2
61	510 27 77-01	CABLE		1
62	725 53 27-01	SCREW IHSCM		1
63	576 41 78-01	WASHER		1
64	735 21 46-01	LOCKWASHER		1
65	522 70 71-02	SCREW EHHFM		8
66	599 95 22-01	LID		1
67	510 14 16-01	CABLE CLAMP		1
68	581 84 90-01	BEARING		1 69
69	581 74 52-01	HOLDER		1

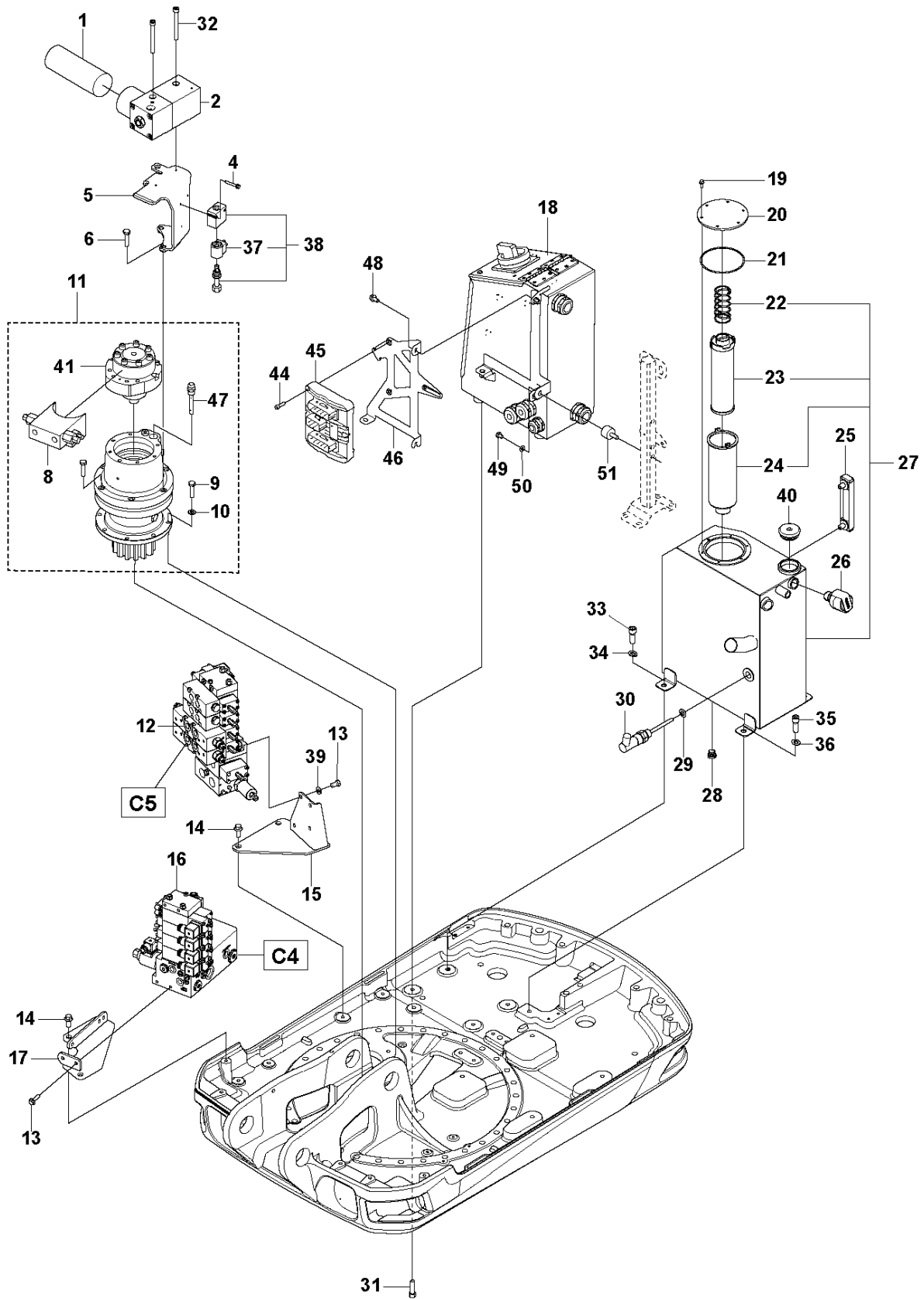
BASE PLATE

DXR 275, 2021-12

Ref	Part No	Description	Remark	QTY	KIT
70	522 67 16-01	WASHER		2	
71	531 11 71-32	SOCKET		1	
72	588 90 37-01	LENS		2	48
73	590 17 66-01	SEAL KIT		1	
74	725 54 59-01	SCREW IHSCM		2	
77	599 51 86-01	BRACKET		1	



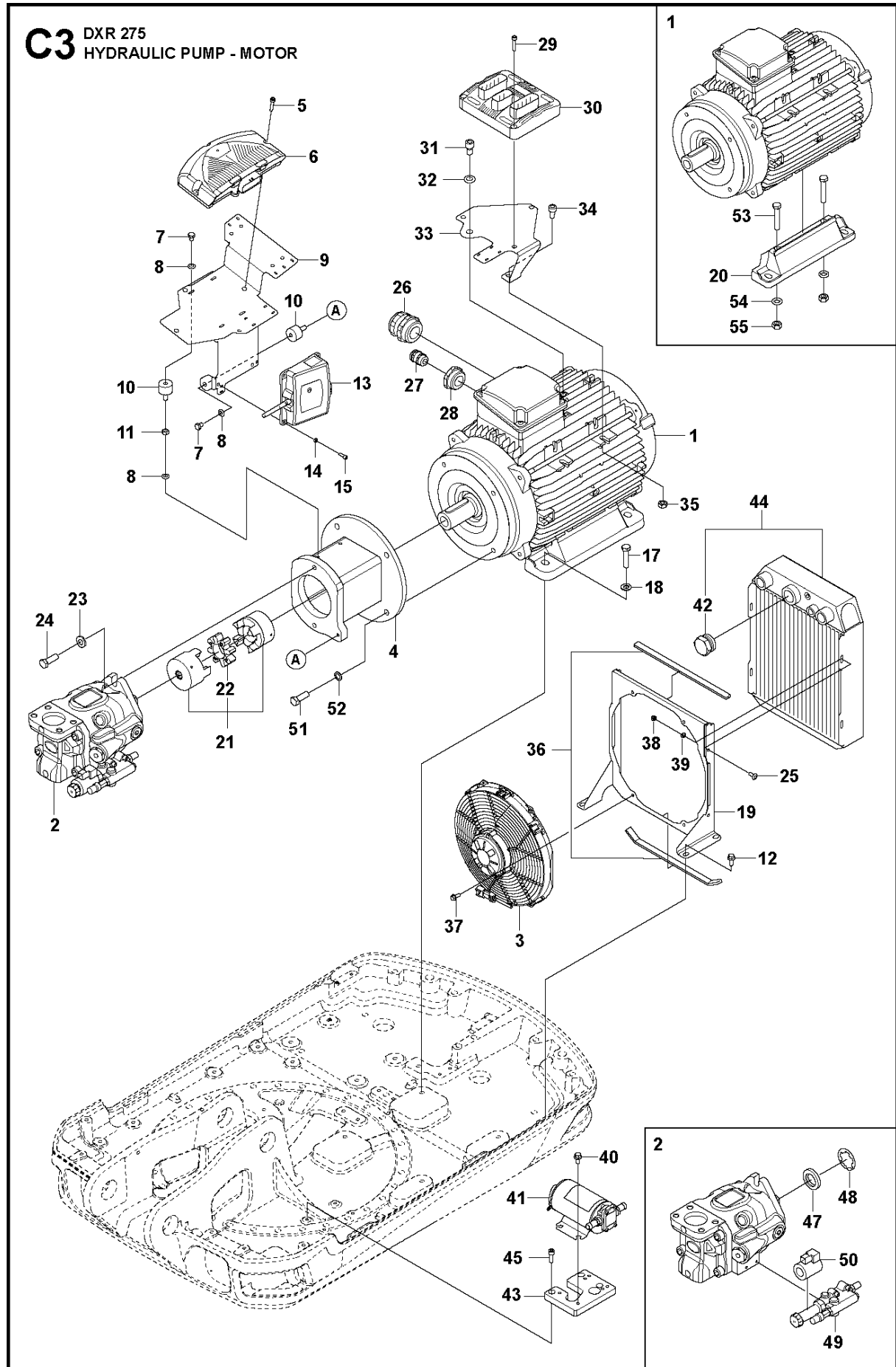
**C2** DXR 275  
HYDRAULIC FRAME



## HYDRAULIC FRAME

DXR 275, 2021-12

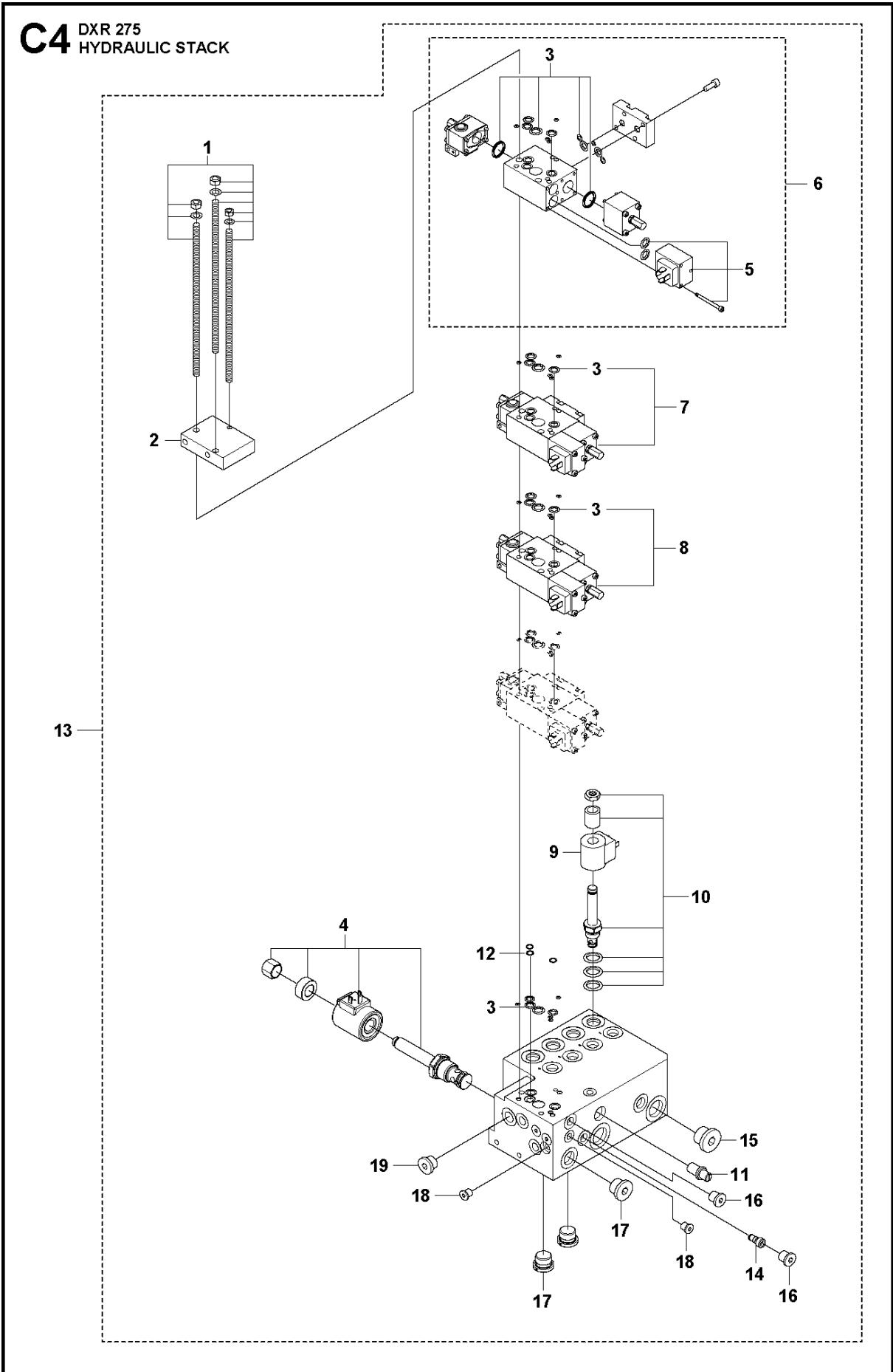
Ref	Part No	Description	Remark	QTY	KIT
1	521 91 77-01	GREASE		1	
2	505 27 78-01	PUMP		1	
4	577 37 56-01	SCREW EHHFM		2	
5	510 13 86-01	BRACKET		1	
6	725 54 64-50	SCREW IHSCM		2	
8	522 78 23-01	VALVE HOUSING		1	11
9	725 24 95-76	SCREW EHHM		8	11
10	522 44 98-01	WASHER		8	11
11	529 49 50-01	HYDRAULIC MOTOR ASSY		1	
12	531 28 85-01	VALVE ASSY		1	
13	588 41 88-01	SCREW EHHM		8	
14	522 70 66-01	SCREW EHHFM		6	
15	505 51 48-01	CONSOLE		1	
16	529 78 57-01	VALVE ASSY		1	
17	505 27 51-01	CONSOLE		1	
18	599 55 82-01	ELECTRONIC BOX		1	
19	725 23 68-71	SCREW EHHM		6	
20	505 32 35-01	LID		1	
21	521 92 47-01	O-RING		1	
22	510 14 27-01	FILTER HOLDER		1	27
23	510 14 45-01	FILTER		1	27
24	505 29 19-01	FILTER HOLDER		1	27
25	505 31 87-01	LEVEL GLASS		1	
26	505 29 06-01	AIR FILTER		1	
27	577 53 84-01	HYDRAULIC TANK		1	
28	505 32 41-01	OIL PLUG		2	27
29	501 72 09-03	WASHER		1	
30	599 96 86-01	SENSOR		1	
31	501 01 50-01	SCREW IHSCM		4	
32	725 54 67-55	SCREW IHSCM		2	
33	725 54 49-01	SCREW IHSCM		2	
34	522 67 16-01	WASHER		2	
35	522 66 69-01	SCREW IHSCM		2	
36	522 67 18-01	WASHER		2	
37	522 96 30-01	SOLENOID		1	38
38	522 96 27-01	VALVE ASSY		1	
39	576 74 41-01	WASHER		4	
40	577 54 03-01	PLUG		1	
41	598 81 05-01	HYDRAULIC MOTOR		1	11
44	725 53 72-01	SCREW IHSCM		3	
45	599 22 33-01	CONTROL UNIT		1	
46	599 48 52-01	BRACKET		1	
47	598 80 99-01	DIPSTICK		1	11
48	522 70 71-02	SCREW EHHFM		3	
49	725 24 45-71	SCREW EHHM		1	
50	522 67 16-01	WASHER		1	
51	510 28 25-01	DAMPER		1	



## HYDRAULIC PUMP - MOTOR

DXR 275, 2021-12

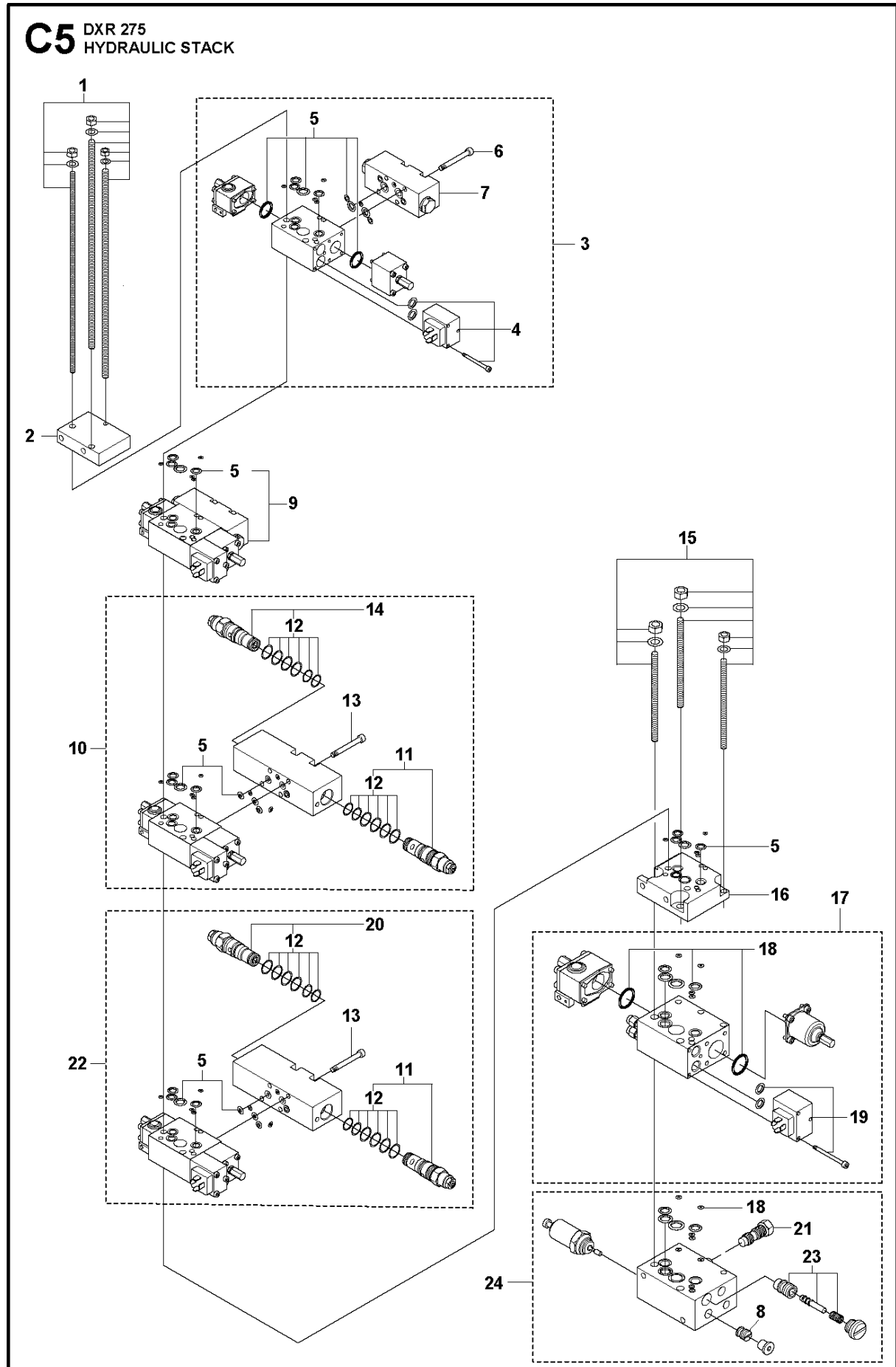
Ref	Part No	Description	Remark	QTY KIT	
1	529 33 16-01	MOTOR	27 kW	1	
2	535 32 92-01	HYDRAULIC PUMP		1	
3	582 27 10-01	LOOSE PARTS KIT		1	
4	599 72 14-01	BRACKET		1	
5	725 53 74-01	SCREW IHSCM		3	
6	599 22 25-01	CONTROL UNIT	Master control unit Empty/Contains No software	1	
7	725 24 45-71	SCREW EHHM		3	
8	522 67 16-01	WASHER		6	
9	599 54 49-01	BRACKET		1	
10	510 28 25-01	DAMPER		3	
11	731 23 18-01	HEXAGON NUT		3	
12	522 70 71-02	SCREW EHHFM		4	
13	598 87 54-01	REMOTE CONTROL		1	
14	576 41 78-01	WASHER		4	
15	725 53 29-01	SCREW IHSCM		4	
17	525 40 12-01	SCREW EHHFM		4	
18	525 39 55-01	WASHER		4	
19	582 67 66-01	BRACKET		1	
20	529 33 17-01	BRACKET		2	1
21	529 32 66-01	COUPLING		1	
22	510 01 68-01	GEAR RIM		1	21
23	510 24 36-01	WASHER		2	
24	725 25 38-71	SCREW EHHM		2	
25	587 39 42-01	SCREW IH PANM		4	
26	522494101	TBD		1	
27	522494001	TBD		1	
28	522494201	TBD		1	
29	725 53 72-01	SCREW IHSCM		3	
30	599 22 33-01	CONTROL UNIT		1	
31	522 66 69-01	SCREW IHSCM		1	
32	522 67 18-01	WASHER		1	
33	599 76 66-01	BRACKET		1	
34	501 06 21-01	SCREW IHSCM		1	
35	522 66 95-01	LOCK NUT		1	
36	587 39 43-01	SEAL KIT		1	
37	522 66 86-01	SCREW EHHFM		4	
38	522 66 93-01	LOCK NUT		4	
39	522 67 15-01	WASHER		4	
40	522 70 71-02	SCREW EHHFM		4	
41	529 89 31-01	OIL PUMP		1	
42	585 84 21-01	VALVE		1	44
43	529 47 46-01	ADAPTER PLATE		1	
44	594 11 66-01	OIL COOLER		1	
45	501 01 50-01	SCREW IHSCM		3	
47	529 55 23-01	SEAL		1	2
48	529 55 24-01	CIRCLIP		1	2
49	529 33 10-01	REGULATOR		1	2
50	529 55 22-01	SOLENOID		1	2
51	725 25 38-71	SCREW EHHM		4	
52	510 24 36-01	WASHER		4	
53	725 25 04-51	SCREW EHHM		4	1
54	734 11 72-01	WASHER		4	1
55	731 23 20-01	HEXAGON NUT		4	1



## HYDRAULIC STACK

DXR 275, 2021-12

Ref	Part No	Description	Remark	QTY KIT	
1	522 96 36-01	TAP	4 sections	1	13
2	522 80 04-01	VALVE		1	13
4	529 78 43-01	VALVE	Circulation valve	1	13
5	522 96 13-01	SOLENOID		4	6, 13
6	531 18 41-01	VALVE	Slew motor	1	13
7	522 80 09-01	VALVE	Outriggers	1	13
8	522 80 06-01	VALVE	Track drive motor left & right	2	13
9	522 96 30-01	SOLENOID		4	13
10	522 95 85-01	VALVE	Outriggers, On/Off valve	4	13
11	522 95 99-01	VALVE	Pressure reducing valve, Pilot pressure	1	13
12	590 50 46-01	SUPPORT RING	Support ring	3	13
13	529 78 57-01	VALVE ASSY		1	
14	522 96 00-01	VALVE	Shuttel valve, Load-sensing signal	1	13
15	592 99 14-01	PLUG		1	13
16	582 09 32-01	PLUG		2	13
17	592 99 13-01	PLUG		2	13
18	582 09 33-01	PLUG		2	13
19	589 02 17-01	PLUG		1	13



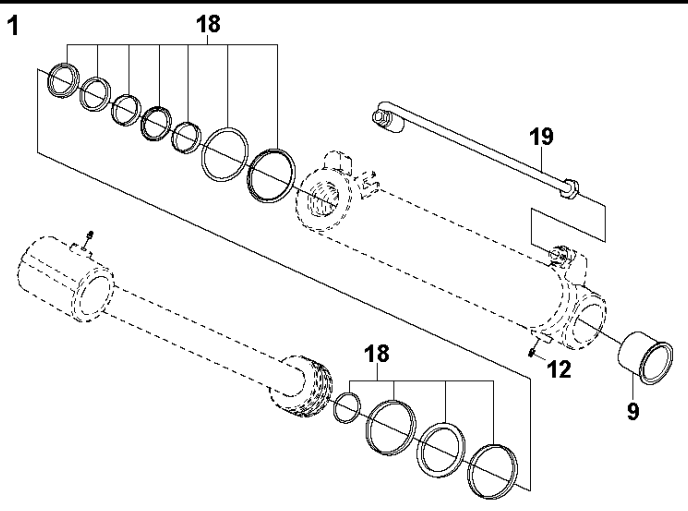
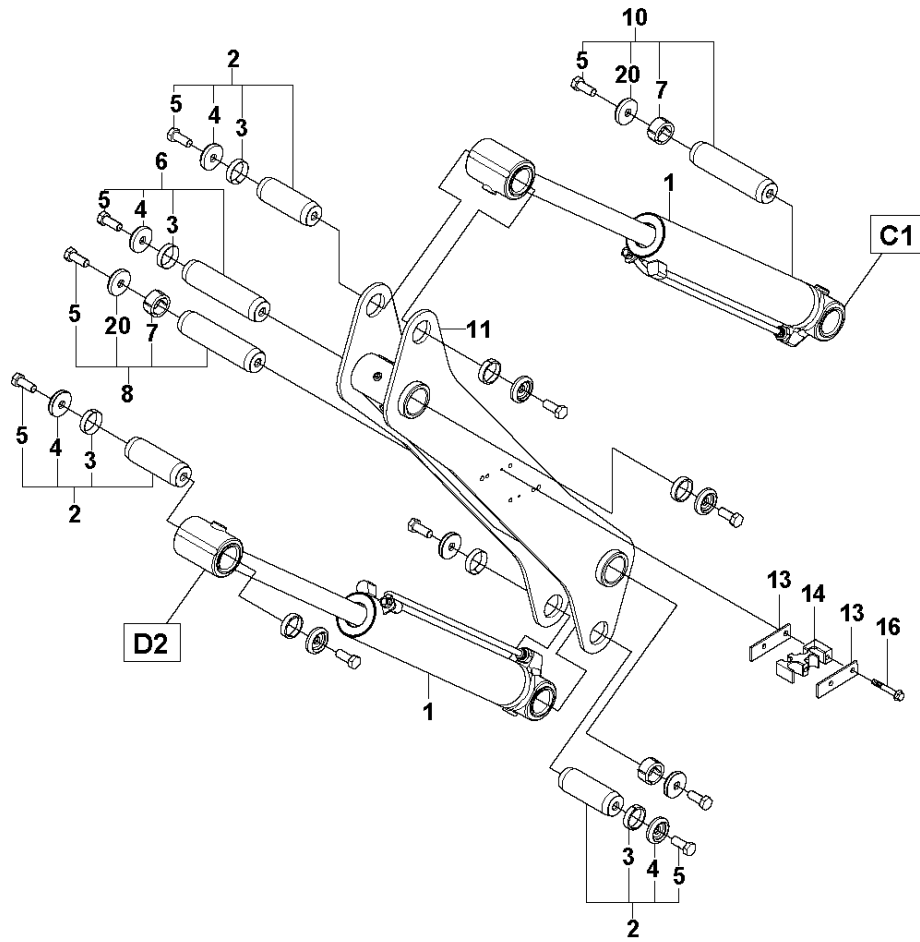
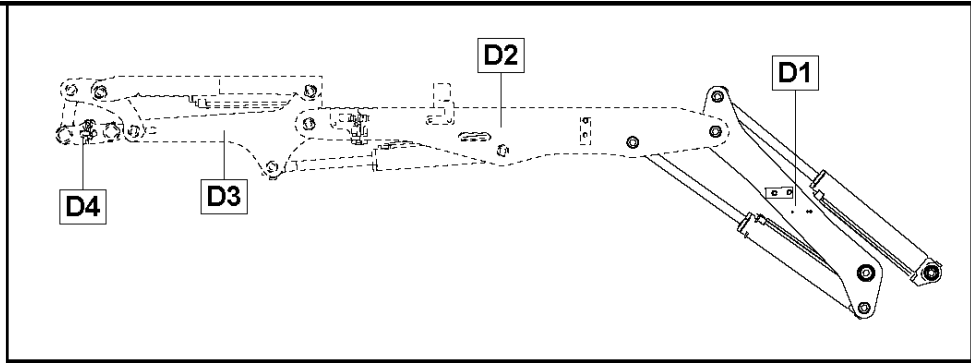
## HYDRAULIC STACK

DXR 275, 2021-12

Ref	Part No	Description	Remark	QTY	KIT
1	522 96 36-01	TAP	4 sections	1	
1	523 06 20-01	TAP	Extra hydraul function 1 (5 sections)	1	
1	523 06 24-01	TAP	Extra hydraul function 2 (6 sections)	1	
2	522 80 04-01	VALVE		1	
3	522 80 01-01	VALVE	C4	3	
4	522 96 13-01	SOLENOID		5	3, 9, 10, 22
6	725 53 78-51	SCREW IHSCM		8	3
7	522 96 25-01	VALVE		2	3
8	536543501	TBD	Filter	1	24
9	522 80 00-01	VALVE	C3	1	
10	590 53 91-01	VALVE	C2	1	
11	582 37 17-01	VALVE	CBBL-LJN	2	10, 22
12	522 96 24-01	O-RING		4	10, 11, 14, 20, 22
13	725 53 80-51	SCREW IHSCM		8	10, 22
14	522 96 23-01	VALVE	CBCH-LCN	1	10
15	522 96 33-01	TAP		1	
16	522 79 98-01	VALVE		1	
17	522 79 97-01	VALVE	Tool	1	
18	536542801	TBD		2	17, 24
19	522 96 18-01	SOLENOID		1	17
20	522 96 22-01	VALVE	CBCA - LHN	1	22
21	531 29 82-01	DAMPER	Dampener, LS-signal	1	24
22	582 31 88-01	VALVE	C1	1	
23	536543701	TBD	Pressure reducer, pilot pressure	1	24
24	531 29 81-01	VALVE		1	

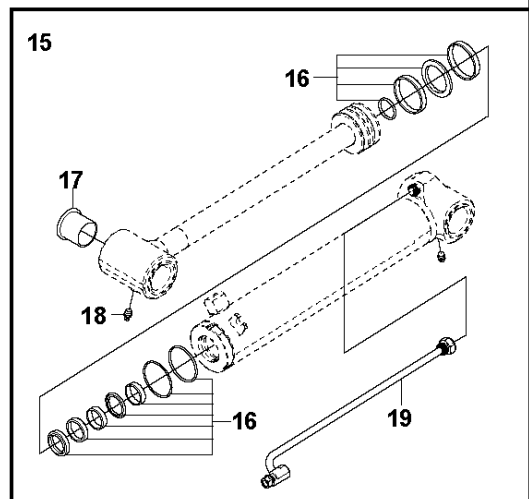
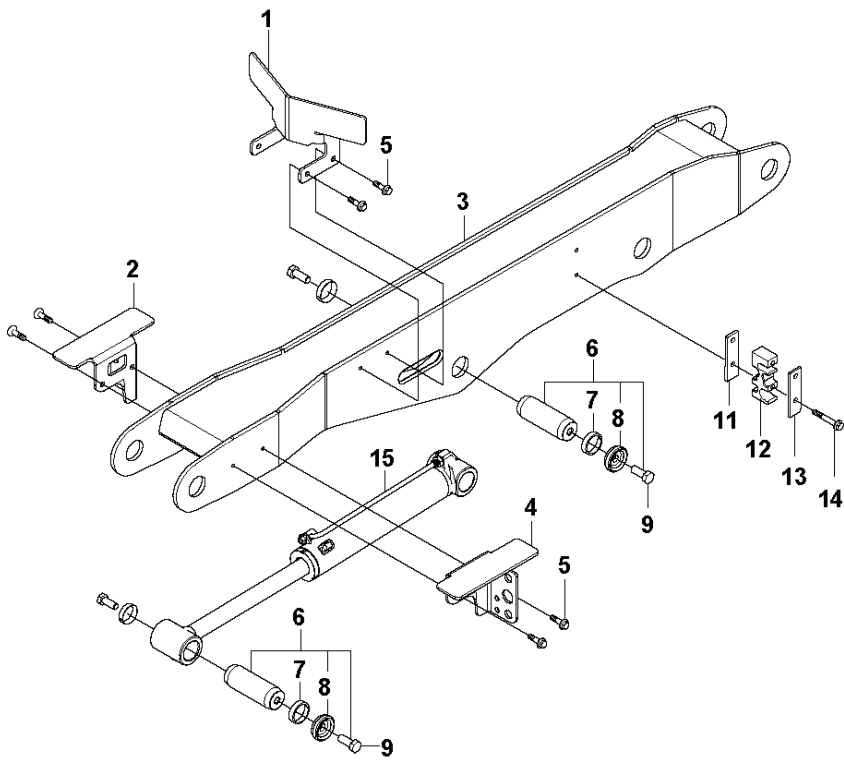
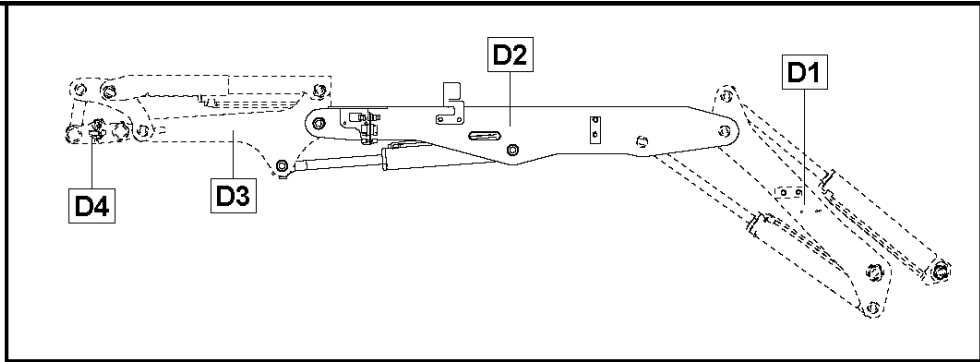


**D1** DXR 275  
ARM ONE



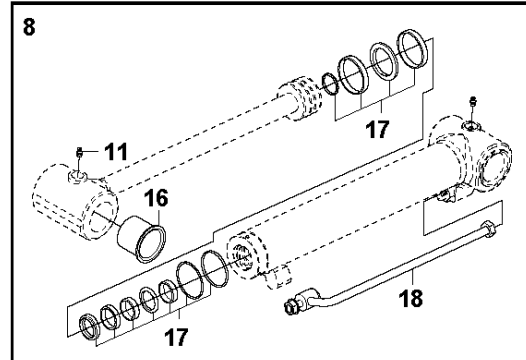
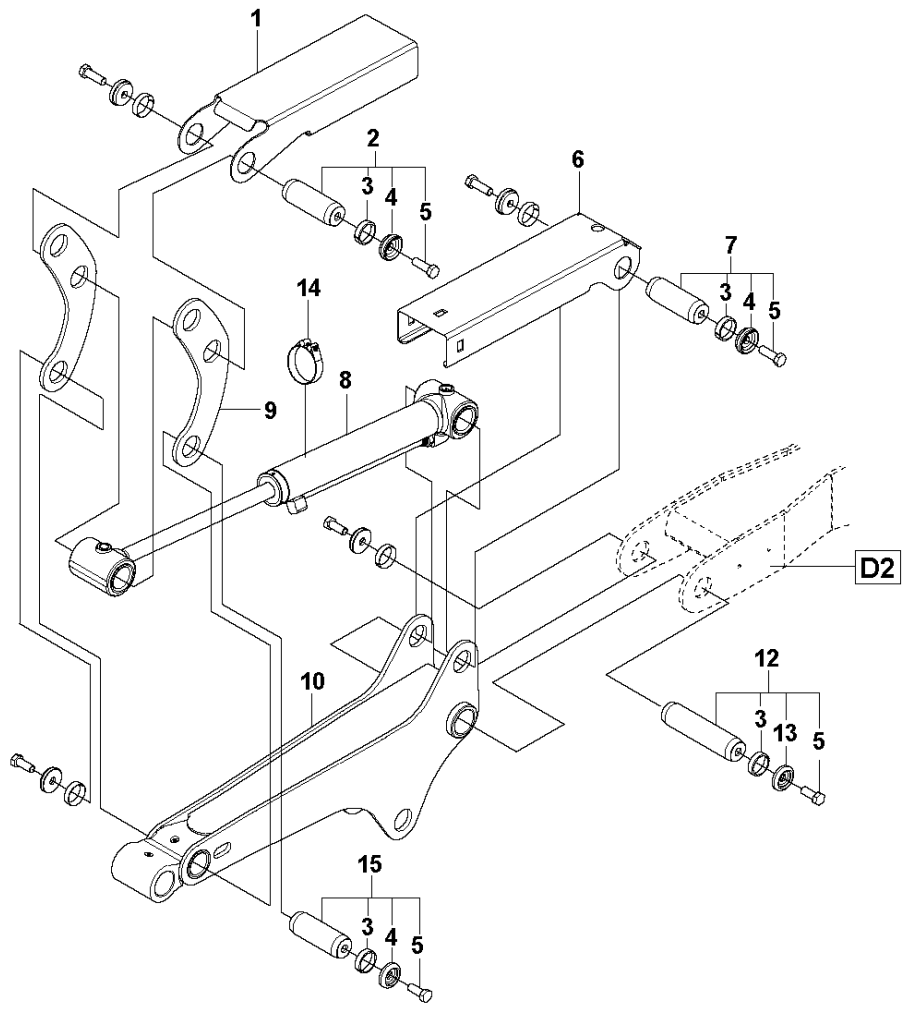
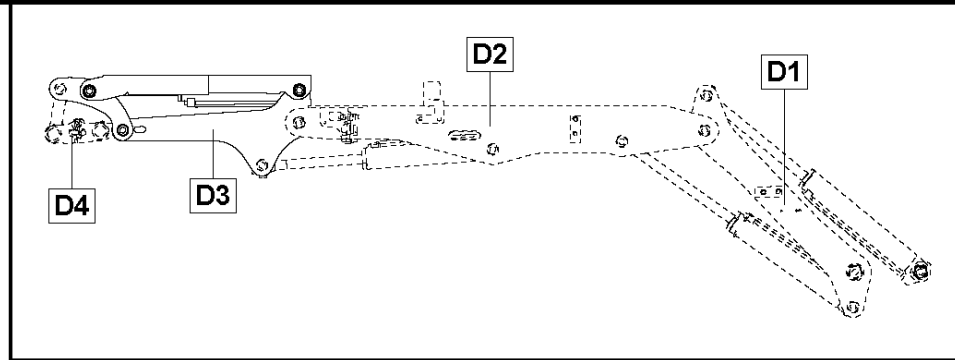
Ref	Part No	Description	Remark	QTY	KIT
1	521 90 66-01	CYLINDER		2	
2	505 24 82-01	SHAFT ASSY		3	
3	522 84 14-01	SLEEVE		8	2, 6
4	522 84 19-01	WASHER		8	2, 6
5	522 84 23-01	SCREW EHHM		12	2, 6, 8, 10
6	504 90 62-01	SHAFT ASSY		1	
7	522 84 17-01	SLEEVE		4	8, 10
8	505 31 68-01	SHAFT ASSY		1	
9	504 89 49-01	BEARING BUSH		12	1
10	505 31 69-01	SHAFT ASSY		1	
11	504 88 98-01	ARM		1	
12	504 89 53-01	LUBRICATION NIPPLE		6	1
13	588 90 09-01	PLATE		4	
14	588 89 96-01	HOSE CLAMP		2	
16	576 20 11-01	SCREW EHHFM		4	
18	522 85 73-01	SEAL		1	1
19	522 91 49-01	HYDRAULIC PIPE		1	1
20	582 30 04-01	WASHER		4	8, 10

**D2** DXR 275  
ARM TWO



Ref	Part No	Description	Remark	QTY KIT	
1	581 48 26-01	PLATE		1	
2	580 50 47-01	COVER		1	
3	581 17 89-01	ARM		1	
4	580 50 48-01	COVER		1	
5	522 70 66-01	SCREW EHHFM		8	
6	505 24 82-01	SHAFT ASSY		1	
7	522 84 17-01	SLEEVE		4	6
8	522 84 19-01	WASHER		4	6
9	522 84 23-01	SCREW EHHM		4	6
11	579 78 34-01	PLATE		2	
12	588 89 96-01	HOSE CLAMP		2	
13	588 90 09-01	PLATE		2	
14	576 20 11-01	SCREW EHHFM		8	
15	525 30 87-01	CYLINDER		1	
16	522 85 73-01	SEAL		1	15
17	504 89 49-01	BEARING BUSH		4	15
18	504 89 53-01	LUBRICATION NIPPLE		2	15
19	574 61 42-01	HYDRAULIC PIPE		1	

**D3** DXR 275  
ARM THREE

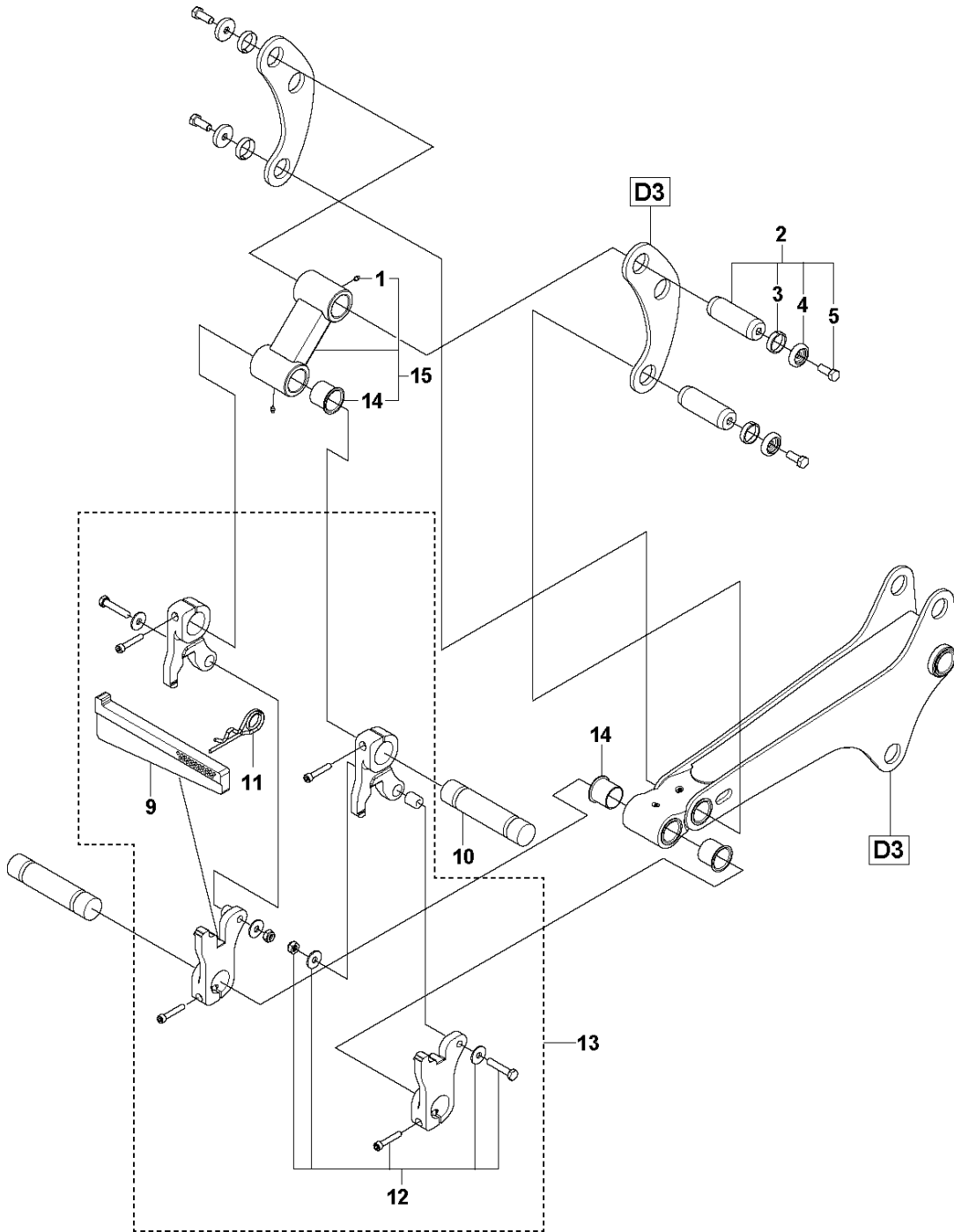
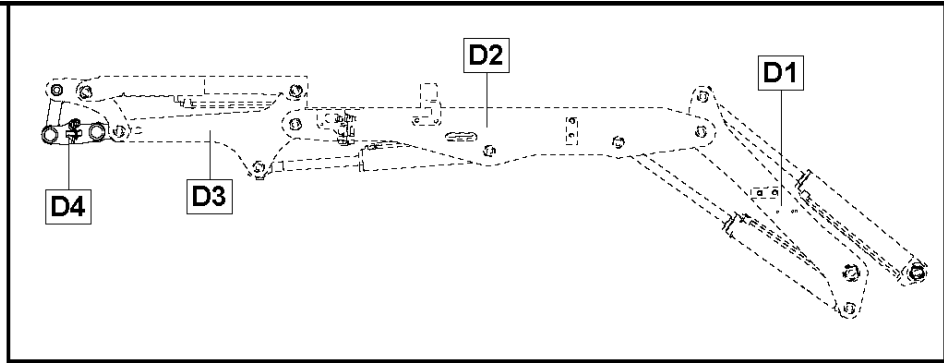


## ARM THREE

DXR 275, 2021-12

Ref	Part No	Description	Remark	QTY	KIT
1	592 79 83-01	PROTECTION		1	
2	588 90 52-01	SHAFT ASSY		1	
3	522 84 14-01	SLEEVE		8	2, 7, 12, 15
4	522 84 21-01	WASHER		4	2, 7, 15
5	522 84 23-01	SCREW EHHM		8	2, 7, 12, 15
6	592 79 85-01	PROTECTION		1	
7	588 90 51-01	SHAFT ASSY		1	
8	522 72 29-01	CYLINDER		1	
9	505 33 20-01	PLATE		2	
10	504 89 78-01	ARM		1	
11	504 89 53-01	LUBRICATION NIPPLE		5	8
12	585 59 31-01	SHAFT ASSY		1	
13	522 84 19-01	WASHER		4	
14	576 99 84-01	HOSE CLAMP		1	
15	504 90 58-01	SHAFT ASSY		1	
16	504 89 49-01	BEARING BUSH		8	8
17	522 85 73-01	SEAL		1	8
18	522 91 51-01	HYDRAULIC PIPE		1	8

**D4** DXR 275  
TOOL HOLDER

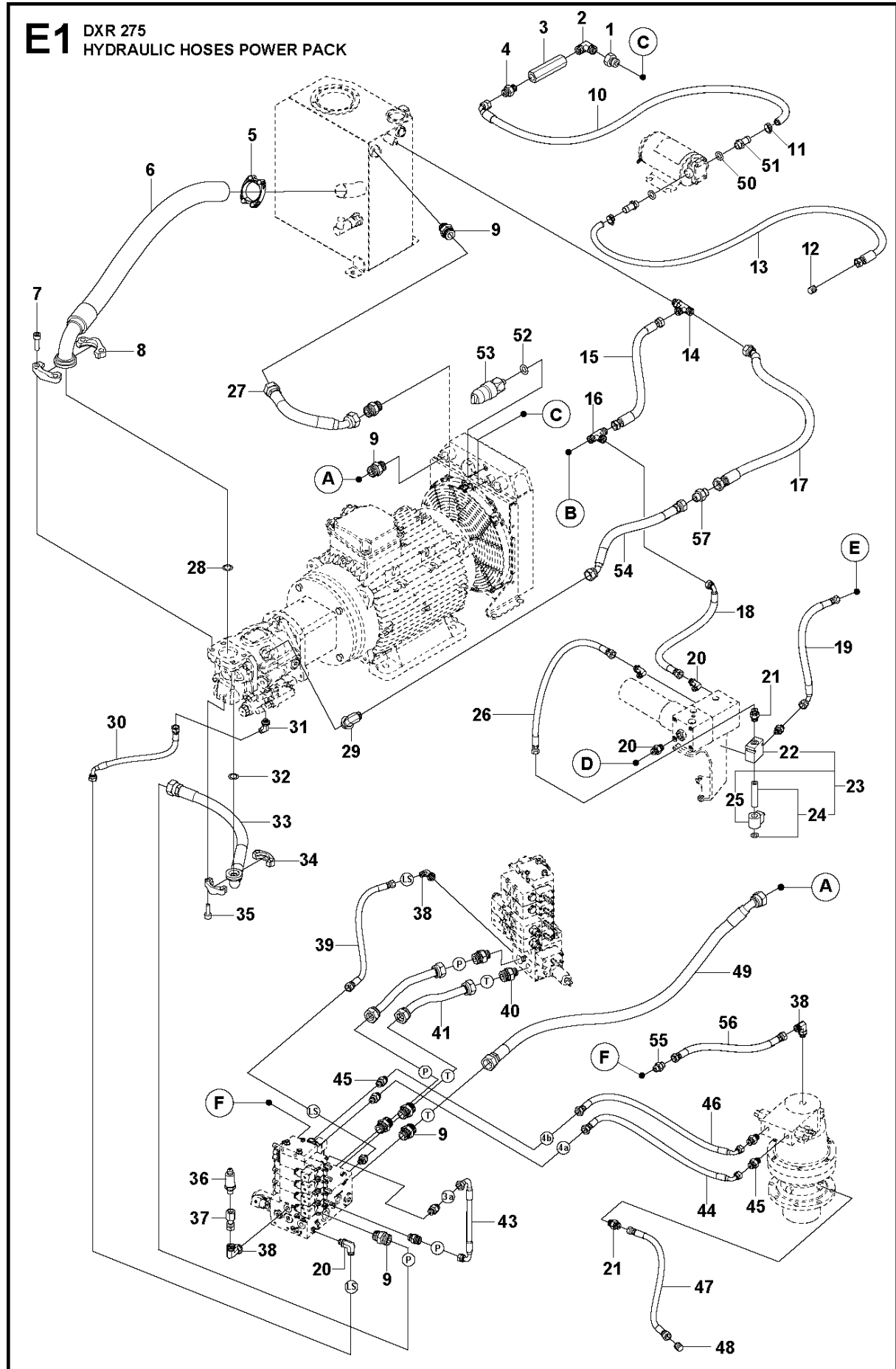


## TOOL HOLDER

DXR 275, 2021-12

Ref	Part No	Description	Remark	QTY	KIT
1	504 89 53-01	LUBRICATION NIPPLE		2	15
2	504 90 58-01	SHAFT ASSY		1	
3	522 84 14-01	SLEEVE		2	2
4	522 84 19-01	WASHER		2	2
5	522 84 23-01	SCREW EHHM		2	2
9	586 37 71-01	WEDGE		1	13
10	586 39 64-01	SHAFT		1	
11	588 93 82-01	COTTER		1	13
12	582 60 61-01	LOOSE PARTS KIT		1	13
13	586 37 65-01	HITCH		1	
14	504 89 49-01	BEARING BUSH		6	
15	585 43 40-01	ARM		1	



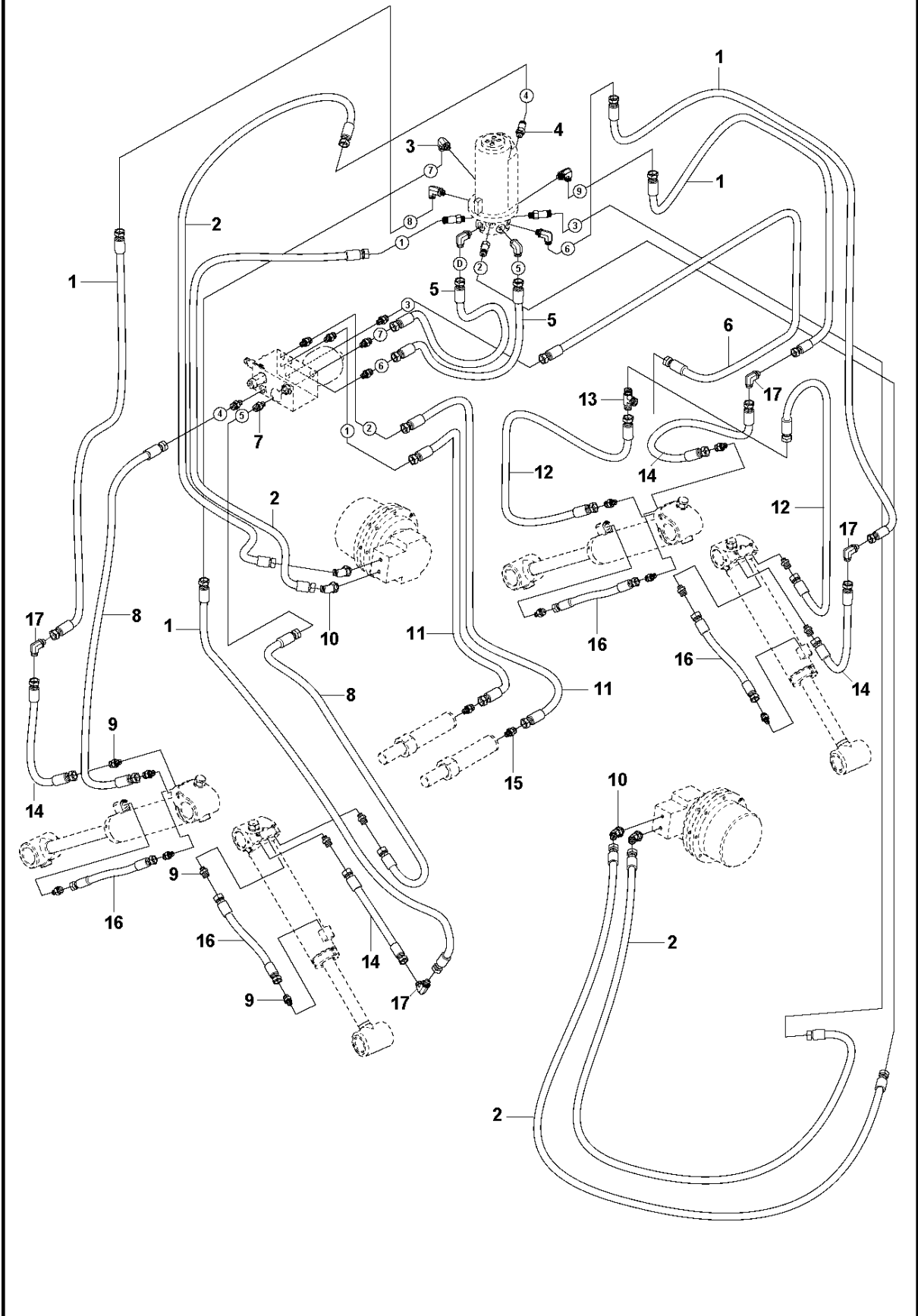


## HYDRAULIC HOSES POWER PACK

DXR 275, 2021-12

Ref	Part No	Description	Remark	QTY	KIT
1	529 74 27-01	ADAPTER		1	
2	501 61 84-01	ADAPTER		1	
3	510 26 76-01	CHECK VALVE		1	
4	589 01 62-01	ADAPTER		1	
5	510 36 32-01	HOSE CLAMP		1	
6	599 83 31-01	HOSE ASSY		1	
7	725 25 38-71	SCREW EHHM		4	
8	529 74 44-01	FLANGE		2	
9	589 01 71-01	ADAPTER		7	
10	501 46 48-01	HOSE ASSY		1	
11	522 67 20-01	HOSE CLAMP		2	
12	589 01 04-01	PLUG		1	
13	585 48 57-01	HOSE ASSY		1	
14	589 01 00-01	ADAPTER		1	
15	586 76 10-01	HOSE ASSY		1	
16	589 01 80-01	ADAPTER		1	
17	585 54 30-06	HOSE ASSY		1	
18	582 31 37-02	HOSE ASSY		1	
19	585 48 42-04	HOSE ASSY		1	
20	501 53 00-01	ADAPTER		5	
21	501 53 00-01	ADAPTER		4	
22	522 96 28-01	VALVE HOUSING		1	23
23	522 96 27-01	VALVE ASSY		1	
24	522 96 29-01	VALVE		1	23
25	522 96 30-01	SOLENOID		1	23
26	585 48 55-05	HOSE ASSY		1	
27	529 69 65-02	HOSE ASSY		2	
28	501 74 91-05	O-RING		1	
29	510 26 57-01	ADAPTER		1	
30	501 15 17-01	HOSE ASSY		1	
31	529 74 49-01	ADAPTER		1	
32	501 74 91-02	O-RING		1	
33	585 56 32-01	HOSE ASSY		1	
34	589 02 01-01	FLANGE		2	
35	725 24 95-76	SCREW EHHM		4	
36	531 12 96-01	SENSOR		1	
37	582 03 50-01	ADAPTER		1	
38	501 53 00-01	ADAPTER		3	
39	501 15 20-01	HOSE ASSY		1	
40	589 01 71-01	ADAPTER		2	
41	585 48 53-01	HOSE ASSY		1	
43	585 54 28-01	HOSE ASSY		1	
44	585 54 25-01	HOSE ASSY		1	
45	589 01 54-01	ADAPTER		6	
46	585 54 25-02	HOSE ASSY		1	
47	585 48 55-01	HOSE ASSY		1	
48	589 01 03-01	PLUG		1	
49	529 55 07-01	HOSE ASSY		1	
50	501 72 09-02	WASHER		2	
51	531 11 80-05	NIPPLE		2	
52	502 40 71-01	WASHER		1	
53	510 14 17-01	SWITCH		1	
54	585 54 30-05	HOSE ASSY		1	
55	589 01 08-01	ADAPTER		1	
56	585 48 42-15	HOSE ASSY		1	
57	589 87 75-01	ADAPTER		1	

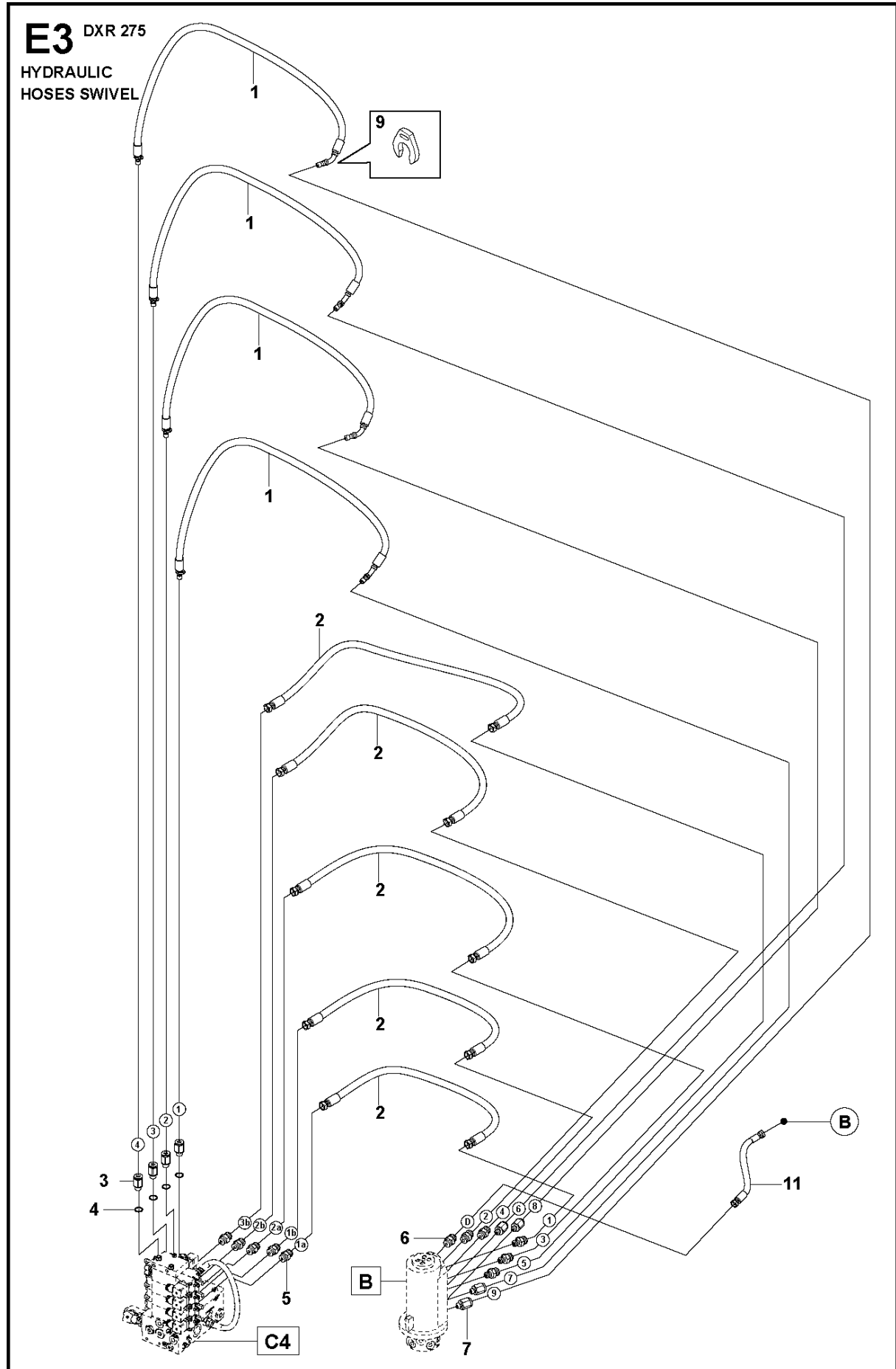
**E2** DXR 275  
HYDRAULIC HOSES TRACKS & SUPPORT LEGS



HYDRAULIC HOSES TRACKS & SUPPORT LEGS

DXR 275, 2021-12

Ref	Part No	Description	Remark	QTY KIT
1	585 55 16-02	HOSE ASSY		4
2	585 54 23-01	HOSE ASSY		4
3	589 01 85-01	ADAPTER		6
4	589 01 07-01	ADAPTER		4
5	585 54 24-01	HOSE ASSY		2
6	585 48 42-11	HOSE ASSY		1
7	589 01 54-01	ADAPTER		8
8	585 48 42-02	HOSE ASSY		2
9	589 01 10-01	ADAPTER		16
10	589 01 83-01	ADAPTER		4
11	585 48 55-03	HOSE ASSY		2
12	585 48 42-01	HOSE ASSY		2
13	589 01 77-01	ADAPTER		1
14	585 48 42-01	HOSE ASSY		4
15	589 01 09-01	ADAPTER		2
16	585 48 42-03	HOSE ASSY		4
17	501 74 61-01	ADAPTER		4

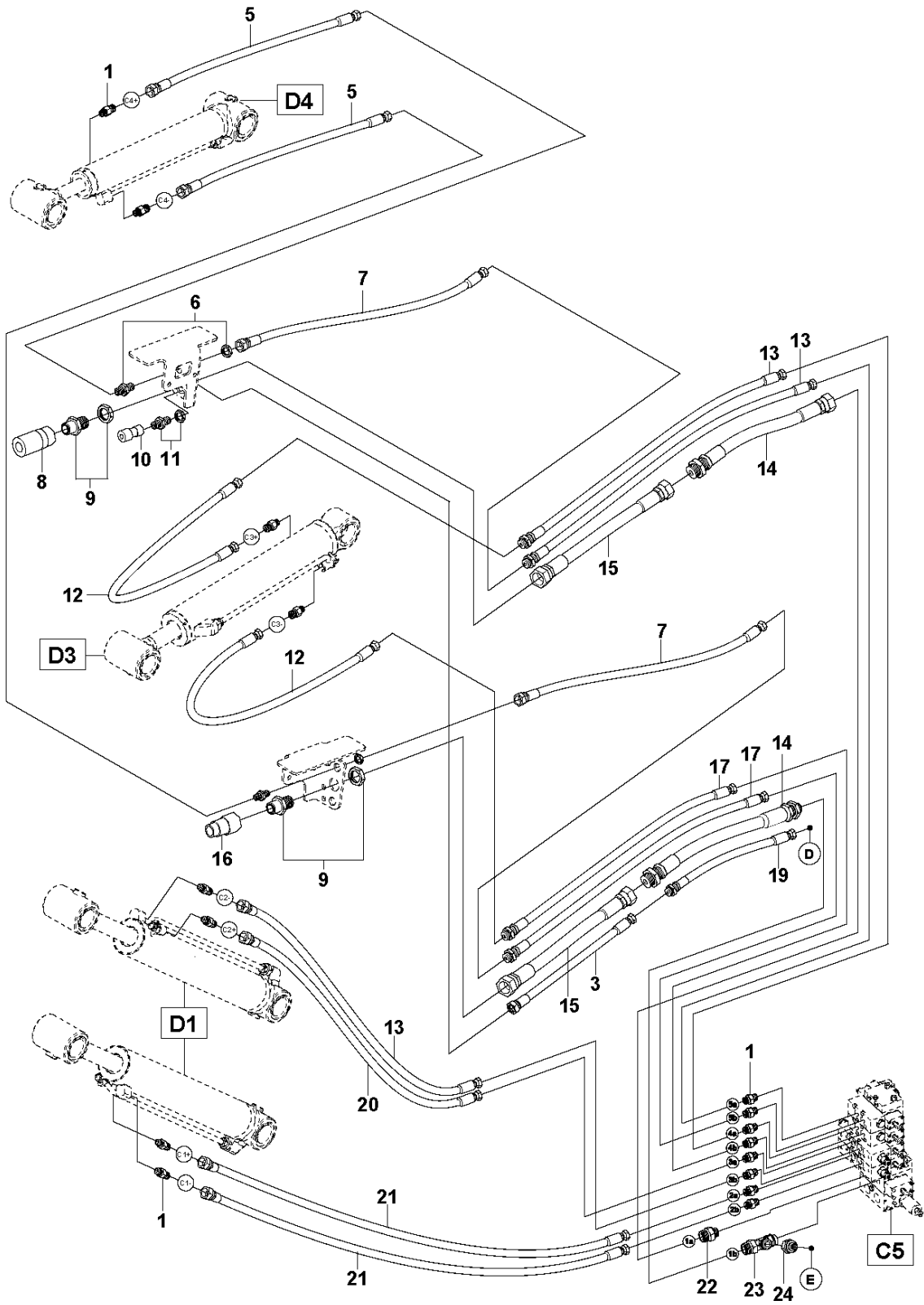


## HYDRAULIC HOSES SWIVEL

DXR 275, 2021-12

Ref	Part No	Description	Remark	QTY	KIT
1	585 56 61-01	HOSE ASSY		4	9
2	585 49 93-01	HOSE ASSY		5	
3	510 24 89-01	CONNECTION		4	
4	501 72 09-02	WASHER		4	
5	589 01 54-01	ADAPTER		5	
6	501 56 15-01	ADAPTER		6	
7	505 34 26-01	CONNECTION		4	
9	592 95 53-01	CLIP		8	
11	585 49 93-02	HOSE ASSY	Drain swivel to tank	1	

**E4** DXR 275  
HYDRAULIC HOSES ARM



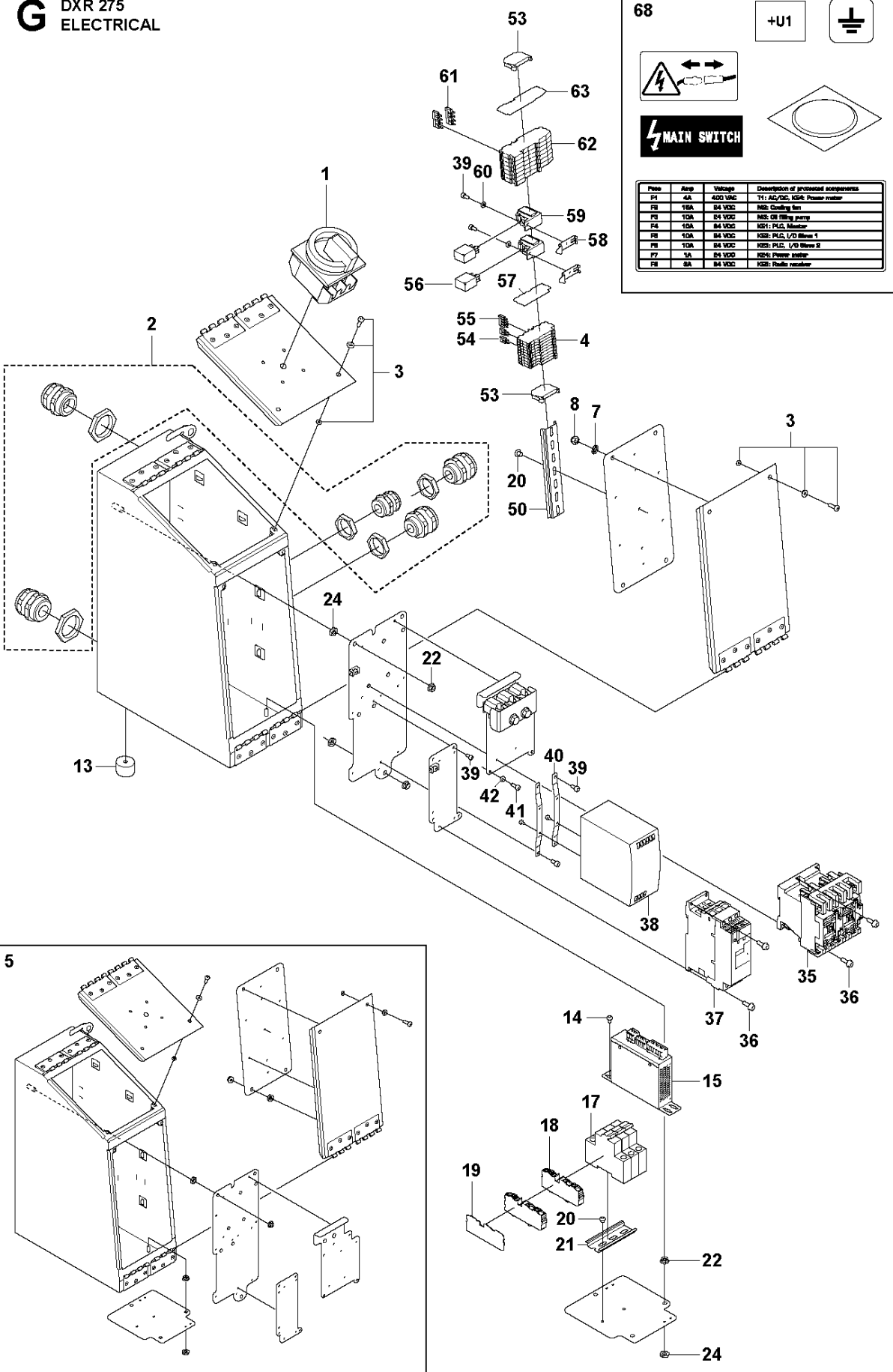
## HYDRAULIC HOSES ARM

DXR 275, 2021-12

Ref	Part No	Description	Remark	QTY KIT
1	589 01 54-01	ADAPTER		19
3	585 48 42-05	HOSE ASSY		1
5	585 54 22-08	HOSE ASSY		2
6	589 00 91-01	ADAPTER		2
7	585 54 22-03	HOSE ASSY		2
8	510 26 81-01	QUICK COUPLING		1
9	510 25 84-01	ADAPTER		2
10	510 26 79-01	QUICK COUPLING		1
11	510 25 79-01	ADAPTER		1
12	585 54 22-03	HOSE ASSY		2
13	585 54 22-01	HOSE ASSY		6
14	588 96 88-01	HOSE ASSY		2
15	585 48 53-02	HOSE ASSY		1
16	510 26 80-01	QUICK COUPLING		1
17	588 95 87-02	HOSE ASSY		2
19	588 98 70-01	HOSE ASSY		1
20	585 54 22-05	HOSE ASSY		2
21	585 54 22-01	HOSE ASSY		2
22	589 01 64-01	ADAPTER		1
23	589 01 01-01	ADAPTER		1
24	589 01 06-01	ADAPTER		1



**G** DXR 275  
ELECTRICAL

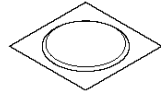


68

+U1



**MAIN SWITCH**

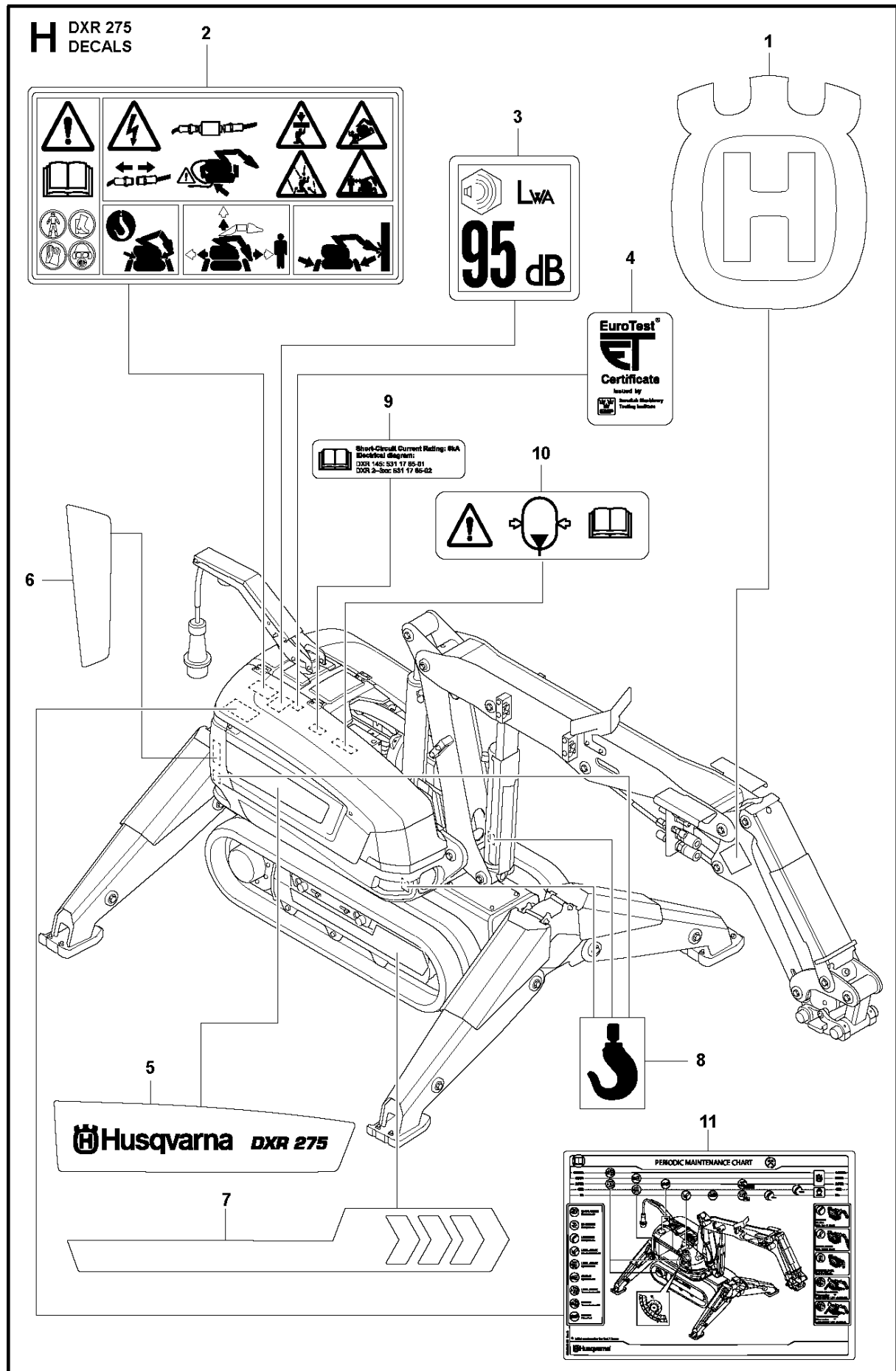


Part	Rating	Voltage	Description of protected components
P1	4A	400 VAC	T1: AC/DC, K24: Phase motor
F1	10A	84 VDC	MS: Control fan
F2	10A	84 VDC	K22: Oil filling pump
F4	10A	84 VDC	K21: PLC, Master
F5	10A	84 VDC	K22: PLC, I/O Slave 1
F6	10A	84 VDC	K22: PLC, I/O Slave 2
F7	1A	84 VDC	K24: Power motor
F8	2A	84 VDC	K22: Power motor

## ELECTRICAL

DXR 275, 2021-12

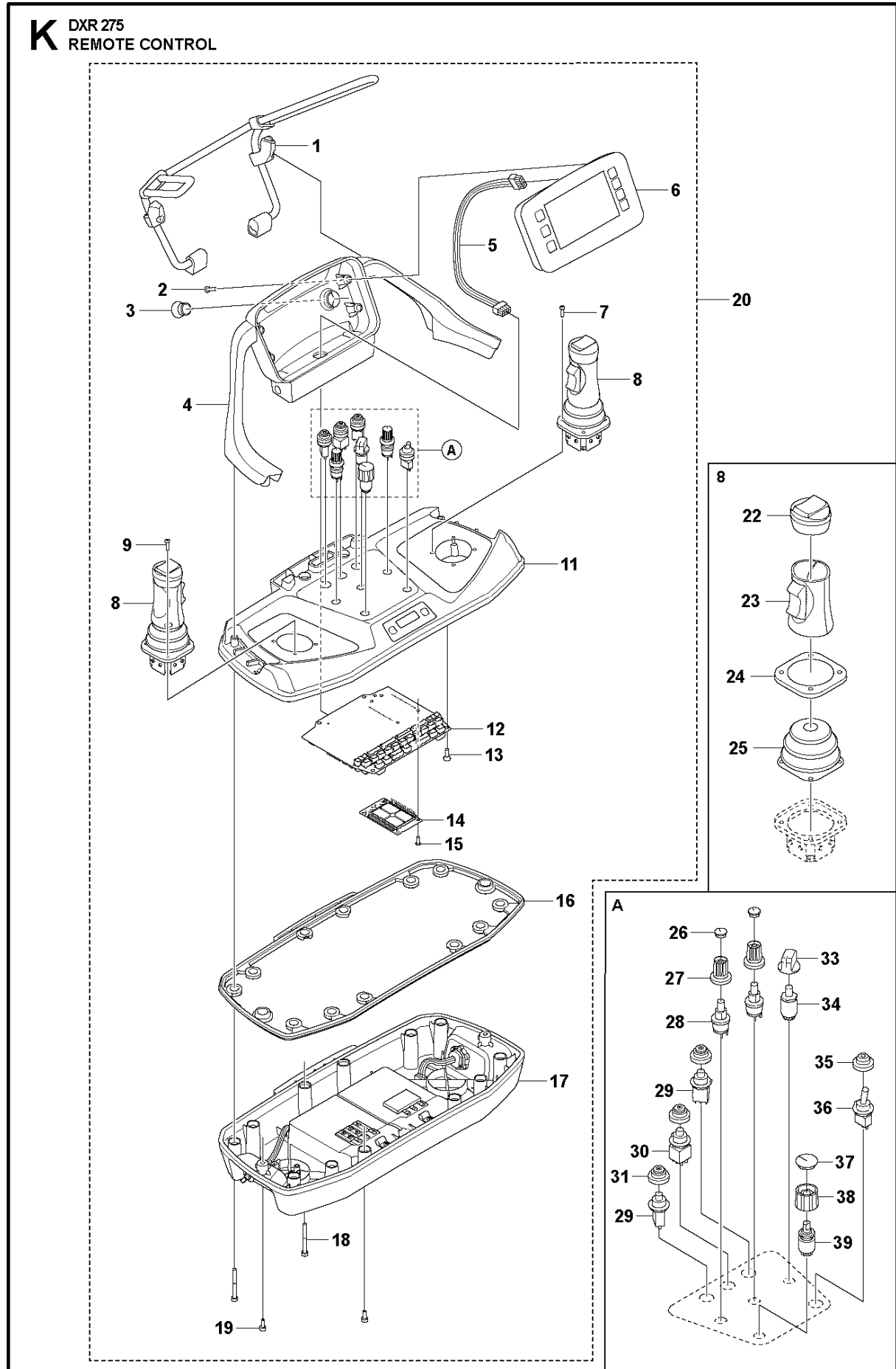
Ref	Part No	Description	Remark	QTY KIT	
1	522 87 14-01	MAIN SWITCH		1	
2	529 94 92-01	LOOSE PARTS KIT		1	
3	536363801	TBD		4	5
4	584 80 57-01	TERMINAL BLOCK		9	
5	599 55 83-01	ELECTRONIC BOX		1	
7	734 11 52-01	WASHER		2	
8	522 66 93-02	LOCK NUT		2	
13	529 71 46-01	DAMPER		4	
14	585 27 08-01	SCREW IHSCM		12	
15	597 73 07-01	ELECTRONIC BOX	KE4, Power meter	1	
17	522 91 18-01	FUSE		1	
18	523 06 00-01	TERMINAL BLOCK		2	
19	582 70 43-01	TERMINAL BLOCK		1	
20	581 31 05-01	SCREW IHPANM		5	
21	523 05 53-01	RAIL	Universal length, cut to 84mm	2	
22	731 71 16-51	HEXAGON NUT FLANGE		9	5
24	731 43 18-01	HEXAGON THIN NUT		10	5
35	584 80 52-01	CONTACTOR	K1, contactor	1	
36	585 27 89-01	SCREW IHSCFM	Add Loctite 243  TORQUE 2.5±0.3Nm	8	
37	577 97 79-01	STARTER	T2, Soft starter	1	
38	505 52 74-01	TRANSFORMER	T1, Transformer. Add Loctite 2701 & Torque with 0.6 Nm when mounting transformer to its feets.	1	
39	725 52 87-01	SCREW IHSCM		10	
40	581 28 66-01	BRACKET		1	
41	725 52 89-01	SCREW IHSCM		4	
42	585 27 84-01	WASHER		4	
50	523 05 53-01	RAIL	Universal length, cut to 170mm	2	
53	522 92 21-01	STOP		2	
54	599 66 13-01	JUMPER BAR		2	
55	585 61 37-01	TERMINAL BLOCK		1	
56	590 18 00-01	RELAY	K2, Cooling fan  K3, Filling Pump	2	
57	584 82 12-01	TERMINAL BLOCK		1	
58	590 20 27-01	CLIP		2	
59	590 17 97-01	SOCKET		2	
60	734 11 36-01	WASHER		2	
61	584 81 95-01	TERMINAL BLOCK		2	
62	584 80 60-01	FUSE HOLDER		7	
63	584 82 07-01	TERMINAL BLOCK		1	
68	529 94 94-01	DECAL KIT		1	



## DECALS

DXR 275, 2021-12

Ref	Part No	Description	Remark	QTY KIT
1	529 78 45-01	DECAL		2
2	523 02 17-01	STICKER		1
3	525 84 50-04	DECAL		1
4	575 58 66-01	DECAL		1
5	529 78 48-01	DECAL	LH	1
5	529 78 48-02	DECAL	RH	1
6	529 75 87-01	STICKER		2
7	529 78 49-01	DECAL	LH	1
7	529 78 49-02	DECAL	RH	1
8	525 51 27-01	STICKER		4
9	531 18 33-01	DECAL		1
10	596 88 34-01	STICKER		1
11	599 56 38-01	LABEL		1



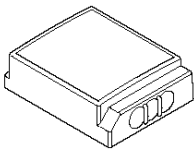
REMOTE CONTROL

DXR 275, 2021-12

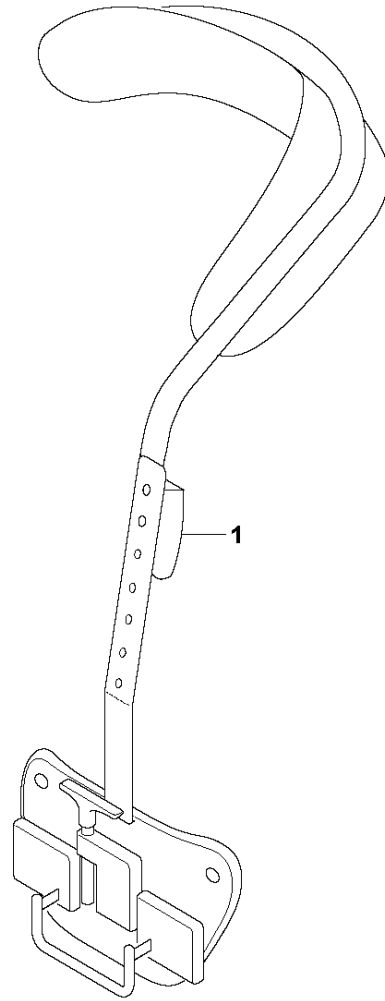
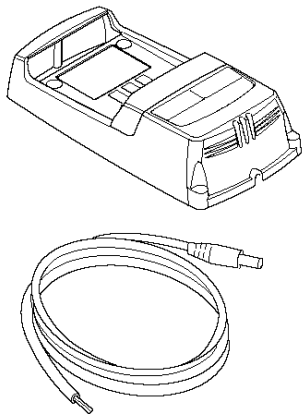
Ref	Part No	Description	Remark	QTY	KIT
1	535 39 45-01	CRASH GUARD		1	20
2	535 60 10-01	SCREW		4	20
3	535 33 59-01	LID		1	20
4	535 33 58-01	EQUIPMENT FRAME		1	20
5	535 60 13-01	CABLE		1	20
6	535 33 60-01	DISPLAY	Empty/Contains No Software	1	20
7	535 60 16-01	SCREW		8	20
8	535 60 16-01	SCREW		8	20
9	535 39 41-01	JOYSTICK	L/R	2	20
11	535 33 61-01	CONTROL UNIT ASSY		1	20
12	535 39 42-01	PRINTED CIRCUIT ASSY	Contains Software	1	20
13	535 60 14-01	SCREW		4	20
14	535 39 43-01	PRINTED CIRCUIT ASSY	Contains Software	1	20
15	535 60 15-01	SCREW		4	20
16	535 33 55-01	GASKET		1	20
17	535 33 57-01	CONTROL UNIT ASSY	Inc. Machine stop button & cable connector	1	20
18	535 60 12-01	SCREW		4	20
19	535 60 11-01	SCREW		10	20
20	531 28 53-01	REMOTE CONTROL	Contains Software	1	
22	535 60 18-01	CAP		2	20
23	535 60 19-01	GRIP	Inc. Top button & thumb switch	2	20
24	535 60 21-01	MOUNT		2	20
25	535 60 20-01	BELLOWS		2	20
26	535 39 40-01	LID		2	20
27	535 39 39-01	KNOB		2	20
28	535 39 37-01	POTENTIOMETER	Potentiometer: Machine   Tool	2	20
29	535 33 62-01	BUTTON	Button: Headlights   Horn	2	20
30	535 39 44-01	BUTTON	Button: Lock remote	1	20
31	535 33 63-01	CAP		3	20
33	535 60 17-01	KNOB		1	20
34	535 33 64-01	SWITCH	Transport mode switch	1	20
35	535 33 66-01	COLLAR		1	20
36	535 33 65-01	SWITCH	Operation mode switch	1	20
37	535 39 35-01	LID		1	20
38	535 39 34-01	KNOB		1	20
39	535 33 64-01	SWITCH	OFF/ON/START switch	1	20

**L** DXR 275  
REMOTE CONTROL ACCESSORIES

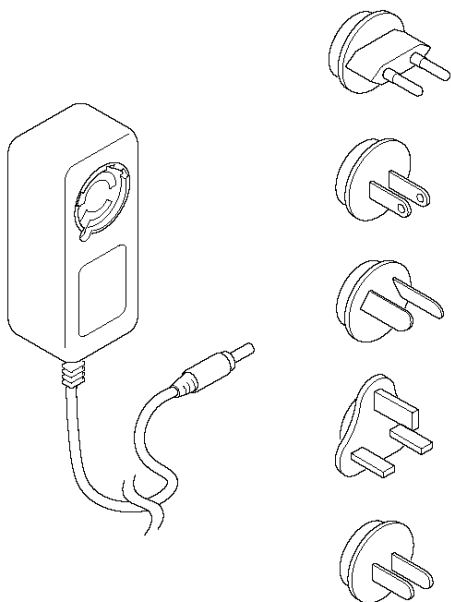
2



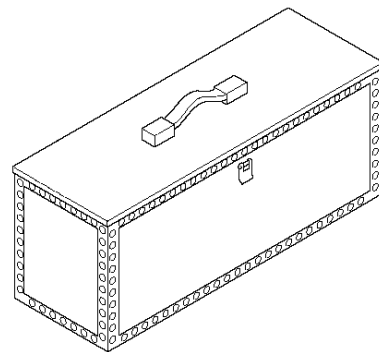
3



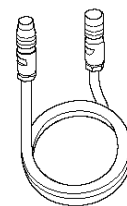
4



5



6



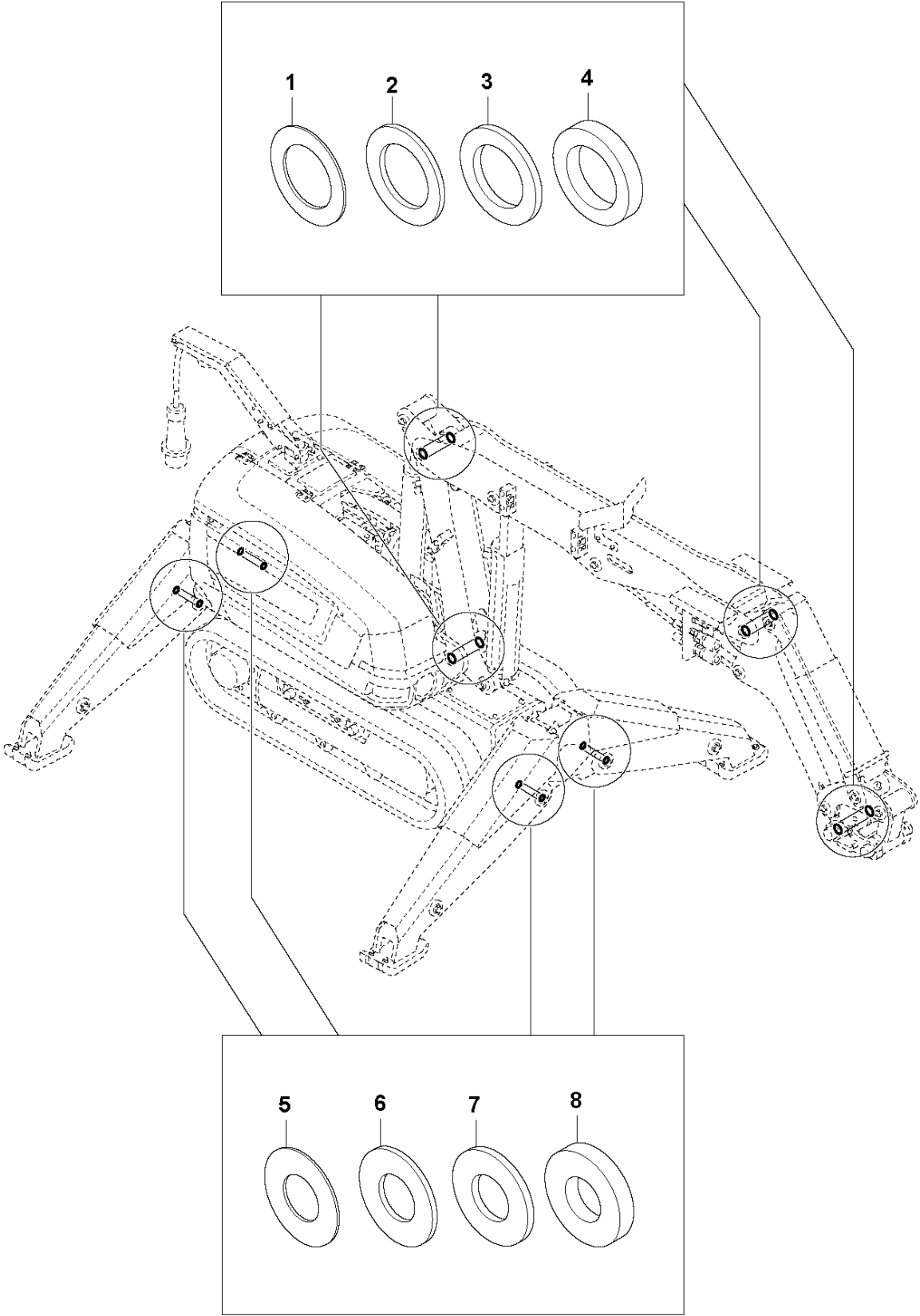
REMOTE CONTROL ACCESSORIES

DXR 275, 2021-12

Ref	Part No	Description	Remark	QTY KIT
1	529 52 47-01	HARNES		1
2	599 80 73-01	BATTERY		1
3	599 80 74-01	BATTERY CHARGER		1
4	599 80 75-01	TRANSFORMER	Plugs: EU USA AUSTRALIA UK  CHINA	1
5	531 12 95-01	BOX		1
6	599 80 76-01	CABLE ASSY		1

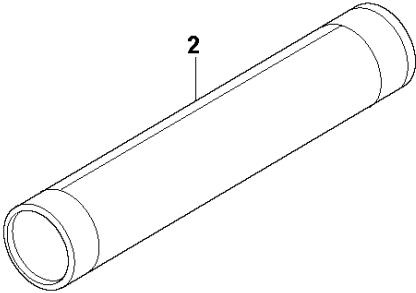
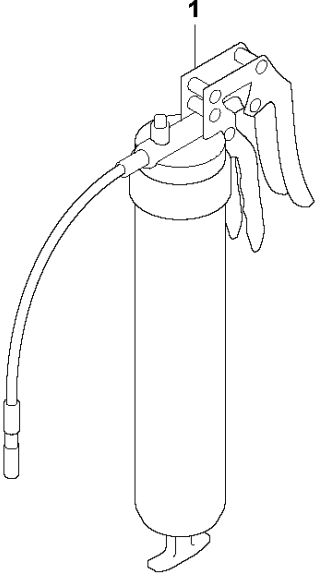


**M** DXR 275  
SCHIMS



Ref	Part No	Description	Remark	QTY KIT
1	506 95 89-01	SPACER	I.D 50 mm, 0.2 mm	0
2	506 95 89-02	SPACER	I.D 50 mm, 0.3 mm	0
3	506 95 89-03	SPACER	I.D 50 mm, 0.5 mm	0
4	506 95 89-04	SPACER	I.D 50 mm, 1.0 mm	0
5	505 00 36-01	SPACER	I.D 40 mm, 0.2 mm	0
6	505 00 36-02	SPACER	I.D 40 mm, 0.3 mm	0
7	505 00 36-03	SPACER	I.D 40 mm, 0.5 mm	0
8	505 00 36-04	SPACER	I.D 40 mm, 1.0 mm	0

**N** DXR 275  
TOOLS



TOOLS

DXR 275, 2021-12

Ref	Part No	Description	Remark	QTY KIT
1	506 38 49-02	GUN		1
2	588 81 48-01	GREASE		1