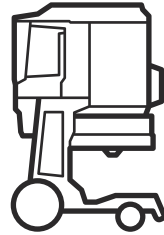




# Husqvarna®



## DE 110i H, DE 120 H PACE

|    |                      |
|----|----------------------|
| EN | Operator's manual    |
| DE | Bedienungsanweisung  |
| FR | Manuel d'utilisation |
| NL | Gebruiksaanwijzing   |

|        |
|--------|
| 2-31   |
| 32-63  |
| 64-95  |
| 96-126 |

---

## Contents

---

|                      |    |   |    |
|----------------------|----|---|----|
| Introduction.....    | 2  | Transportation, storage and disposal..... | 24 |
| Safety.....          | 5  | Technical data.....                       | 27 |
| Operation.....       | 10 | Accessories.....                          | 28 |
| Maintenance.....     | 17 | Declaration of Conformity.....            | 29 |
| Troubleshooting..... | 21 | Registered trademarks.....                | 31 |

---

## Introduction

---

### Product description

The product is a battery dust extractor. Dust-laden air goes through the suction hose into the inlet valve. The product separates the dust particles from the air. The particles fall into the plastic bag at the bottom of the product.

### Intended use

---



**WARNING:** Do not collect ignition sources, hot particles, liquids, explosive

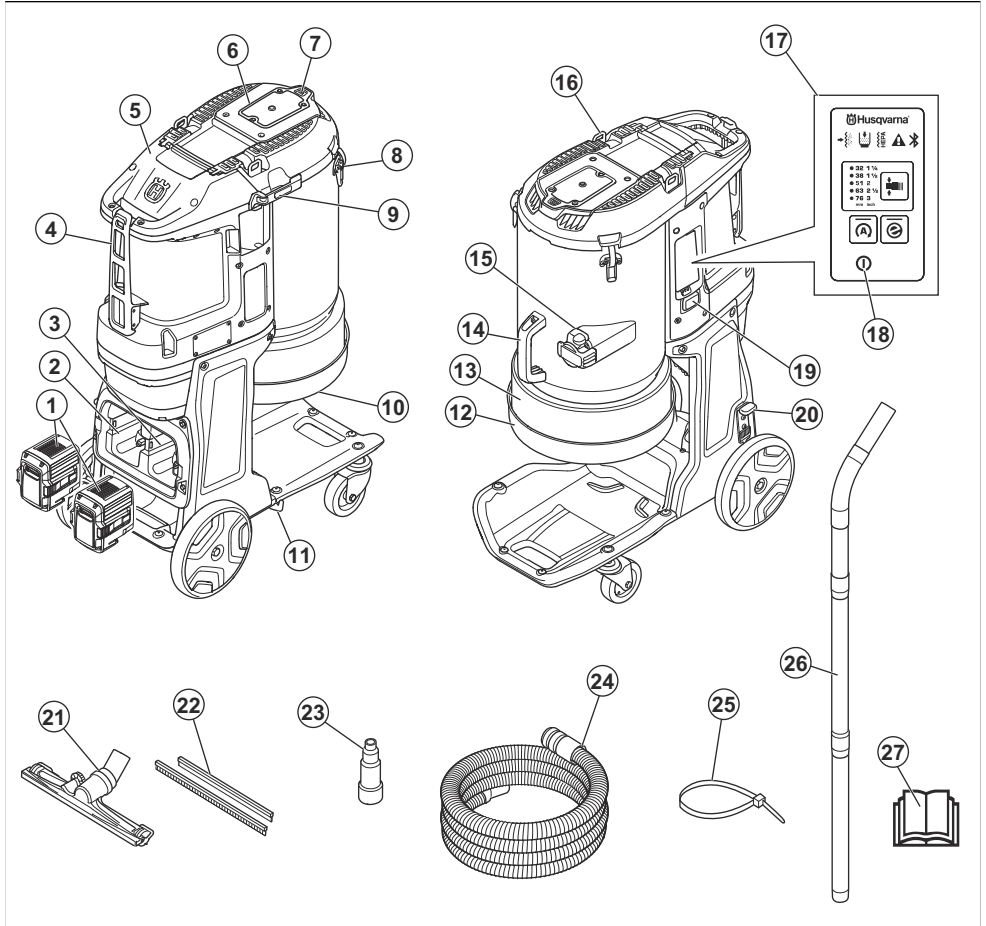
material and unstable or pyrophoric particles.

---

The product is for professional operations only. The product is used to collect and remove dry material from machines and devices. The material can be dangerous and harmful to health, refer to the dust class H in EN 60335-2-69.

Do not use the product for other tasks. Only use the product with accessories that are approved by the manufacturer.

## Product overview



- |                                      |  |
|--------------------------------------|--|
| 1. Battery (Accessory)               | 16. Lift eye   |
| 2. Storage for spare battery         | 17. Control panel, refer to <i>Functions of the control panel on page 12</i> |
| 3. Battery holder                    | 18. On/Off   |
| 4. Fastener for dust extraction hose | 19. Hour meter   |
| 5. HEPA filter cover                 | 20. Wheel brake  |
| 6. Prefilter cover                   | 21. Floor nozzle   |
| 7. Filter purge button               | 22. Rubber strips  |
| 8. Cover lock                        | 23. Hose nozzle (DE 110i H)  |
| 9. Handle pipe toggle fastener       | 24. Dust extraction hose   |
| 10. Dust release rubber cone         | 25. Cable tie  |
| 11. Handle pipe bracket              | 26. Handle pipe  |
| 12. Longopac holder                  | 27. Operator's manual  |
| 13. Longopac                         |  |
| 14. Handle                           |  |
| 15. Hose lock                        |  |

## Symbols on the product



**WARNING:** This product can be dangerous and cause serious injury or death to the operator or others. Be careful and use the product correctly.



Read the manual carefully and make sure that you understand the instructions before you use the product.



Use hearing protection, eye protection and respiratory protection. Refer to *Personal protective equipment on page 9*.



Do not use metal hooks, chains or other lifting equipment with rough edges that can cause damage to the lifting eye. Only use soft lifting straps.



This device is H-classified, certified by a third party according to IEC-60335-2-69, EN-60335-2-69 Annex AA.

This device contains harmful dust. Empty and maintenance operations, including the removal of the dust collection containers, may only be carried out by experts who wear appropriate protective equipment. Never operate the dust extractor without the complete filtration system.



The product is not domestic waste. Recycle it at an approved disposal location for electrical and electronic equipment.



If the product features Bluetooth® wireless technology. The Bluetooth® symbol will be marked on the product name label. Refer to *Bluetooth® wireless technology on page 11*.

## Symbols on the battery and/or on the battery charger



The product or package of the product is not domestic waste.



Recycle the product at an applicable disposal location for electrical and electronic equipment.



Do not put the battery in water.



Keep the battery away from sunlight, heat or open flame.

## IPX4

The product has protection against splashing water.



Functional grounding.



Fail-safe transformer.



Use and keep the battery charger indoors only.



Double insulation.

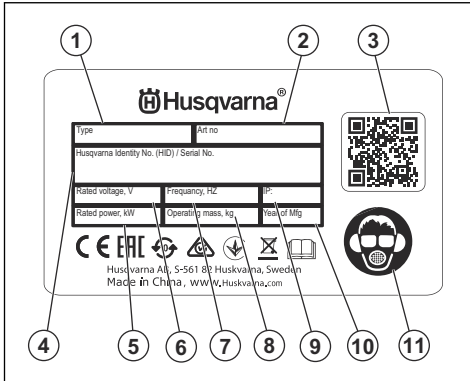
## Embedded connectivity

The cloud asset management solution Husqvarna Fleet Services™ gives the fleet manager an overview of all products that are connected via either embedded or aftermarket sensors. The position of the gateway or smartphone can be used to indicate the location of connected products. The sensors record data like runtime, service intervals and more. For more information about the cloud asset management solution Husqvarna Fleet Services™, download the iOS or Android app Husqvarna Fleet

Services at <https://apps.apple.com/se/app/husqvarna-fleet-services/id1334672726> or <https://play.google.com/store/apps/details?id=com.husqvarna.hfsmobile&hl=en>. Speak to your Husqvarna sale representative for more information.

Some types of this product are connected via the embedded Husqvarna Fleet Services™ sensor that has the Bluetooth Low Energy (BLE) function. For more information regarding how to use it, refer to *To use embedded connectivity with fleet on page 11*. For information about the BLE technology radio spectrum, refer to *Embedded connectivity on page 27*.

## Type plate



1. Model
2. Article number
3. Scannable code
4. Serial number
5. Rated power
6. Rated voltage
7. Frequency
8. Weight
9. IP class
10. Production year
11. Personal protective equipment

## Product liability

As referred to in the product liability laws, we are not liable for damages that our product causes if:

- the product is incorrectly repaired.
- the product is repaired with parts that are not from the manufacturer or not approved by the manufacturer.
- the product has an accessory that is not from the manufacturer or not approved by the manufacturer.
- the product is not repaired at an approved service center or by an approved authority.

## Safety

### Safety definitions

Warnings, cautions and notes are used to point out specially important parts of the manual.



**WARNING:** Used if there is a risk of injury or death for the operator or bystanders if the instructions in the manual are not obeyed.



**CAUTION:** Used if there is a risk of damage to the product, other materials or the adjacent area if the instructions in the manual are not obeyed.

**Note:** Used to give more information that is necessary in a given situation.

### General safety instructions



**WARNING:** Read the warning instructions that follow before you use the product.



**WARNING:** PACE products contain hazardous voltages inside the enclosure. In order to avoid electric shock: Do not attempt to open the product. Do not operate a damaged product. Do not connect a PACE battery to a damaged product. If the product becomes damaged during use, remove the PACE battery from the product, and contact your Husqvarna Service center.

- This product is a dangerous tool if you are not careful or if you use the product incorrectly. This product can cause serious injury or death to the operator or others. Before you use the product, you must read and understand the contents of this operator's manual.
- Do not let a person (including children) with reduced physical, sensory or mental capabilities use the product, unless they have been given supervision or instruction concerning use of the product by a person responsible for their safety.
- Make sure that you have experience and knowledge about the product before use.
- Make sure that all controls are off before you disconnect the battery.

- Comply with all applicable laws and regulations.
- The operator and the employer of the operator must know and prevent the risks during operation of the product.
- Do not let a person operate the product unless they read and understand the contents of the operator's manual.
- Do not operate the product unless you receive training before use. Make sure that all operators receive training.
- Do not let a child operate the product.
- Only let approved persons operate the product.
- The operator is responsible for accidents that occur to other persons or their property.
- Do not use the product if you are tired, ill, or under the influence of alcohol, drugs or medicine.
- Always be careful and use your common sense.
- This product produces an electromagnetic field during operation. This field can under some circumstances interfere with active or passive medical implants. To decrease the risk of serious injury or death, we recommend persons with medical implants to speak to their physician and the medical implant manufacturer before operating this product.
- Keep the product clean. Make sure that you can clearly read signs and decals.
- Do not use the product if it is defective.
- Do not do modifications to this product or the battery pack.
- Do not operate the product if it is possible that other persons have done modifications to the product.
- Do not operate the product without necessary filters.
- Save all warnings and instructions.
- Risk of electrical shock. Do not connect the battery terminals to keys, screws or other metal. This can cause a short circuit of the battery.
- If the battery leaks, do not let the liquid touch your body, clothes or the product. If you touch the liquid, clean the area with a large quantity of water and get medical aid.
- Use protective glasses when you are near batteries. If you get liquid in your eyes, do not rub but flush with water for a minimum of 15 minutes. Get medical aid.
- Do not use batteries that are non-rechargeable.
- Do not do modifications to the battery.
- Do not put objects into the air slots of the battery.
- Keep the battery away from sunlight, heat or open flame. The battery can cause an explosion and cause burns and/or chemical burns.
- Keep the battery away from rain and wet conditions.
- Keep the battery away from microwaves and high pressure.
- Do not try to disassemble or break the battery.
- Use the battery only when the ambient temperature is between -10 °C / 14°F and 40 °C / 104 °F.
- Do not clean the battery or the battery charger with water. Refer to *To do a check of the battery and the battery holder on page 18*.
- Do not use a damaged battery.
- Keep batteries in storage away from metal objects such as nails, screws or jewelry.
- Keep the battery away from children.
- Attach the battery correctly. An incorrectly attached battery can cause a short circuit of the battery.

## Battery safety



**WARNING:** Read the warning instructions that follow before you use the product.



**WARNING:** A damaged battery can cause an explosion and cause injury. If the battery has a deformation or is damaged, speak to an approved Husqvarna service agent.

- Only use the BLi batteries that we recommend for your product. The batteries are software encrypted.
- Use only original batteries for this product. There is a risk of explosion if the batteries are replaced with a battery of incorrect type. Speak to your dealer for more information.
- Use BLi batteries that are rechargeable as a power supply for the related Husqvarna products only. To prevent injury, do not use the battery as a power supply for other devices.
- Risk of electrical shock or short circuit if the safety instructions are not obeyed.
- Do not use other battery chargers than the one supplied for your product. Only use Husqvarna QC or Husqvarna PACE chargers when you charge Husqvarna replacement batteries BLi or PACE.
- Do not try to disassemble the battery charger.
- Do not use a damaged battery charger.
- Do not lift the battery charger by the power cord. To disconnect the battery charger from a mains socket, pull out the plug. Do not pull the power cord.
- Keep all cables and extension leads away from water, oil and sharp edges. Make sure that the cable is not caught between doors, fences or equivalent.
- Do not use the battery charger near flammable materials or materials that can cause corrosion. Make sure that the battery charger is not covered.

## Battery charger safety



**WARNING:** Read all safety warnings and all instructions. Failure to follow the warnings and instructions may result in electrical shock, fire and/or serious injury.

- Pull out the plug to the battery charger if there is smoke or fire.
- Only charge the battery indoors in a location with good airflow and away from sunlight. Do not charge the battery outdoors. Do not charge the battery in wet conditions.
- Only use the battery charger where the temperature is between 5 °C / 41 °F and 40 °C / 104 °F. Use the charger in an environment which has a good airflow, dry and free from dust.
- Do not put objects into the air slots of the battery charger.
- Do not connect the battery charger terminals to metal objects as this can short circuit the battery charger.
- Do not charge non-rechargeable batteries in the battery charger or use them in the machine.
- Use approved mains sockets that are not damaged.

## Work area safety

- Keep work area clean and well lit.** Cluttered or dark areas invite accidents.
- Do not operate the product in explosive atmospheres, such as in the presence of flammable liquids, gases or dust.** The product create sparks which may ignite the dust or fumes.
- Keep children and bystanders away while operating the product.** Distractions can cause you to lose control.

## Electrical safety



**WARNING:** Do not expose the appliance to rain or wet conditions. Water entering an electric appliance will increase the risk of electric shock.

- The plug on the supply cord of the appliance must match the outlet. Do not change the plug in any way. Do not use adapter plugs with earthed (grounded) appliances.** Unmodified plugs and matching outlets reduce risk of electric shock.
- Insert the plug in a suitable earthed/grounded power outlet which has been correctly and safely installed and is in compliance with local regulations. If you are in doubt about the effectiveness of the power outlet's earth/ground connection, have it checked by a qualified specialist.**
- Avoid body contact with earthed or grounded surfaces, such as pipes, radiators, cookers, stoves and refrigerators.** There is an increased risk of electric shock if your body is earthed or grounded.
- Check to ensure that the supply cord does not lie in a puddle of water.**
- Check the appliance's supply cord at regular intervals and have it replaced by the manufacturer or his agent if damage is found. Check extension cords at regular intervals and replace them if found to be damaged.**

- Do not touch the supply cord or extension cord if they are damaged while working. Disconnect the supply cord plug from the power outlet.** Damaged supply cords or extension cords present a risk of electric shock.
- Do not abuse the cord. Never use the cord for carrying, pulling or unplugging the appliance. Keep the cord away from heat, oil, sharp edges or moving parts.** Damaged or entangled cords increase the risk of electric shock.
- When operating an electric appliance outdoors, use only extension cords of a type suitable for outdoor use.** Use of an extension cord suitable for outdoor use reduces the risk of electric shock.
- In the event of an interruption in the electric supply, switch the appliance off and unplug it from the power outlet.**
- Never operate the appliance when it is dirty or wet.** Dust (especially dust from conductive materials) or dampness adhering to the surface of the appliance may, under unfavorable conditions, lead to electric shock. **Dirty or dusty appliances should thus be checked by an approved service agent at regular intervals, especially if used frequently for working on conductive materials.**
- If operating an appliance in a damp location is unavoidable, use a residual current device (RCD) protected supply.** Use of a RCD reduces the risk of electric shock.
- Do periodic electrical safety tests on the product. Refer to local regulations for the correct procedure.

## Personal safety

- Stay alert, watch what you are doing and use common sense when operating the product. Do not use the product while you are tired or under the influence of drugs, alcohol or medication.** A moment of inattention while operating the product may result in serious personal injury.
- Use personal protective equipment. Always wear eye protection.** Protective equipment such as dust mask, non-skid safety shoes, hard hat or hearing protection used for appropriate conditions will reduce personal injuries.
- Prevent unintentional starting. Ensure the switch is in the off-position before connecting to power source and/or battery pack, picking up or carrying the product.** Carrying the product with your finger on the switch or energizing the product that have the switch on invites accidents.
- Remove any adjusting key or wrench before turning the product on.** A wrench or a key left attached to a rotating part of the product may result in personal injury.
- Do not overreach. Keep proper footing and balance at all times.** This enables better control of the product in unexpected situations.
- Dress properly. Do not wear loose clothing or jewellery. Keep your hair and clothing away from**

**moving parts.** Loose clothes, jewellery or long hair can be caught in moving parts.

- **If devices are provided for the connection of dust extraction and collection facilities, ensure these are connected and properly used.** Use of dust collection can reduce dust-related hazards.
- **Do not let familiarity gained from frequent use of tools allow you to become complacent and ignore tool safety principles.** A careless action can cause severe injury within a fraction of a second.

## Product use and care

- **Do not force the product. Use the correct product for your application.** The correct product will do the job better and safer at the rate for which it was designed.
- **Do not use the product if the switch does not turn it on and off.** Any product that cannot be controlled with the switch is dangerous and must be repaired.
- **Disconnect the plug from the power source and/or remove the battery pack, if detachable, from the product before making any adjustments, changing accessories, or storing the product.** Such preventive safety measures reduce the risk of starting the product accidentally.
- **Store idle the product out of the reach of children and do not allow persons unfamiliar with the product or these instructions to operate the product.** The product is dangerous in the hands of untrained users.
- **Maintain the product and accessories. Check for misalignment or binding of moving parts, breakage of parts and any other condition that may affect the power tool's operation. If damaged, have the product repaired before use.** Many accidents are caused by poorly maintained power tools.
- **Keep cutting tools sharp and clean.** Properly maintained cutting tools with sharp cutting edges are less likely to bind and are easier to control.
- **Use the product, accessories and tool bits etc. in accordance with these instructions, taking into account the working conditions and the work to be performed.** Use of the product for operations different from those intended could result in a hazardous situation.
- **Keep handles and grasping surfaces dry, clean and free from oil and grease.** Slippery handles and grasping surfaces do not allow for safe handling and control of the tool in unexpected situations.

## Battery tool use and care

- **Recharge only with the charger specified by the manufacturer.** A charger that is suitable for one type of battery pack may create a risk of fire when used with another battery pack.
- **Use products only with specifically designated battery packs.** Use of any other battery packs may create a risk of injury and fire.

- **When battery pack is not in use, keep it away from other metal objects, like paper clips, coins, keys, nails, screws or other small metal objects, that can make a connection from one terminal to another.** Shorting the battery terminals together may cause burns or a fire.
- **Under abusive conditions, liquid may be ejected from the battery; avoid contact. If contact accidentally occurs, flush with water. If liquid contacts eyes, additionally seek medical help.** Liquid ejected from the battery may cause irritations or burns.
- **Do not use a battery pack or tool that is damaged or modified.** Damaged or modified batteries may exhibit unpredictable behavior resulting in fire, explosion or risk of injury.
- **Do not expose a battery pack or tool to fire or excessive temperature.** Exposure to fire or temperature above 130 °C / 265 °F may cause explosion.
- **Follow all charging instructions and do not charge the battery pack or tool outside the temperature range specified in the instructions.** Charging improperly or at temperatures outside the specified range may damage the battery and increase the risk of fire.

## Service

- Let only approved service center do servicing with approved replacement parts. This will keep the product safe.
- Do not do servicing or open battery packs. Only approved service center must do servicing of battery packs.
- Refer to *Maintenance schedule on page 17* for more information.

## Safety instructions for assembly

---



**WARNING:** Read the warning instructions that follow before you assemble the product.

---

- Unauthorized modifications and/or accessories may lead to serious injury or death to the user or others.
- Use only attachments as described in this manual.
- Use only manufacturers recommended attachments.
- Make sure that the assembly area is firm, so the product does not tip over. Risk of personal and material injury.
- Be careful, the toggle fasteners can cause damage to the operator when assembling the product.

## Safety instructions for operation

---



**WARNING:** Read the warning instructions that follow before you use the product.

---



- If the product does not operate correctly, hits the ground, is damaged, left outdoors or falls into water, stop the product. Let an approved service agent repair the product.
- Make sure that the motor and all controls are off before you disconnect the battery pack.
- Disconnect the battery from the product, when the product is not used, before you do servicing or before you go away from the product.
- Do not operate the product unless you can get aid if an accident occurs.
- Know the controls and the correct operation of the product before use.
- Do not operate the product at temperatures below -10°C.
- Do not operate the product where there is a risk of explosion or in areas where there is flammable liquids or materials.
- Do not put objects into openings.
- Do not operate if an opening is blocked. Remove dust, lint, hair or other material that can decrease the air flow.
- Do not operate the product with wet hands.
- Keep hair, loose clothing and all body parts away from openings and moving parts.
- Operate the product very carefully on stairs to prevent damage and injury if the product falls.
- Always lock the transport wheels if you do work on a rough surface.
- Look out for persons, objects and situations that can prevent safe operation of the product.
- Make sure that you always can stop the motor quickly in an emergency.
- If the product does not operate correctly, stop the product.
- Do not operate the product without a Longopac and the filters installed. Replace the Longopac bag and the filters as given in this manual.
- Always remove the battery pack before you go away from the product.
- If the product has unusual vibration or noise level, stop the product immediately and remove the battery pack. Examine the product for damages. Unusual vibration is usually a warning of damage. Repair the damages or let an approved service agent do the repair.
- Always use approved accessories. Speak to your Husqvarna representative for more information.

## Personal protective equipment



**WARNING:** Read the warning instructions that follow before you use the product.

- Always use approved personal protective equipment when you operate the product. Personal protective equipment cannot fully prevent injury but it

decreases the degree of injury if an accident does occur. Let your dealer help you select the correct personal protective equipment.

- Regularly do a check of the condition of the personal protective equipment.
- Use an approved protective helmet.
- Use approved hearing protection.
- Use approved respiratory protection with class P2 or higher.
- Use approved eye protection.
- Use protective gloves.
- Use protective shoes.

## Safety instructions for maintenance



**WARNING:** Read the warning instructions that follow before you do maintenance on the product.

- Remove the battery before you do maintenance, other checks or assemble the product.
- The operator must only do the maintenance and servicing shown in this operator's manual. Turn to your servicing dealer for maintenance and servicing of a larger extension.
- Do not clean the battery or the battery charger with water. Strong detergent can cause damage to the plastic.
- If you do not do maintenance, it decreases the life cycle of the product and increases the risk of accidents.
- Special training is necessary for all servicing and repair work, especially for the safety devices on the product. If not all checks in this operator's manual are approved after you have done maintenance, turn to your servicing dealer. We guarantee that there are professional repairs and servicing available for your product.
- Only use original spare parts.

## Safety devices on the product



**WARNING:** Read the warning instructions that follow before you use the product.

- Never use a product that has faulty safety equipment! If your product fails any checks contact your service agent to get it repaired.
- Do not use the product if protective plates, protective covers, safety switches or other protective devices are not attached or are defective.

## Always use common sense



**WARNING:** Under no circumstances should you modify the original design of the product without approval from the

manufacturer. Always use original spare parts. Unauthorized modifications and/or accessories may lead to serious injury or death to the user or others.



**WARNING:** The use of products such as cutters, grinders, drills, that sand or form material can generate dust and vapours which may contain hazardous chemicals. Check the nature of the material you intend to process and use an appropriate breathing mask.

It is not possible to cover every conceivable situation you can face when using the product. Always exercise care and use your common sense. Avoid all situations which you consider to be beyond your capability. If you still feel uncertain about operating procedures after

reading these instructions, you should consult an expert before continuing.

Do not hesitate to contact your Husqvarna representative if you have any more questions about the use of the product. We will willingly be of service and provide you with advice as well as help you to use your product both efficiently and safely.

Let your Husqvarna dealer check the product regularly and make essential adjustments and repairs.

Husqvarna AB has a policy of continuous product development. Husqvarna reserves the right to modify the design and appearance of products without prior notice and without further obligation introduce design modifications.

All information and all data in the operator's manual were applicable at the time the operator's manual was sent to print.

## Operation

### To do before you operate the product

**Note:** The operation conditions are 800 m/2625 ft maximum altitude, temperature between -10°C/14°F to +40°C/104°F and humidity 85%.

**Note:** Read the operator's manual of the attached equipment carefully. If specified requirements or settings are given for the dust extractor, make sure that you obey these.

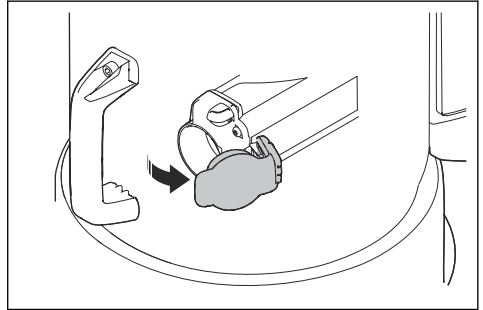
1. Read the operator's manual carefully and make sure that you understand the instructions.
2. Do the daily maintenance. Refer to *Maintenance schedule on page 17*.
3. Make sure that the work area is clean and bright.
4. Use personal protective equipment. Refer to *Personal protective equipment on page 9*.
5. Make sure that the product is installed correctly.
6. Make sure that the battery is fully charged.

### To attach the dust extraction hose

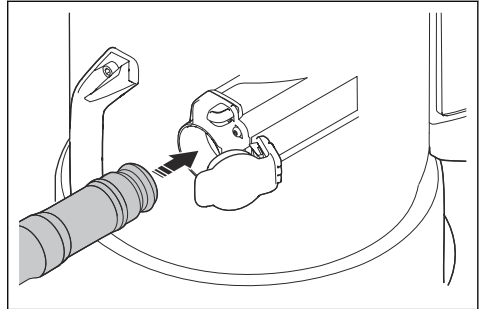


**WARNING:** Use an antistatic hose to prevent antistatic effects.

1. Open the hose connector.



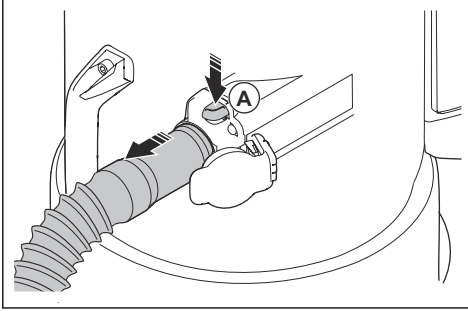
2. Put the hose adapter in the hose connector.



3. Push the hose adapter until you hear a click to get it in correct position.

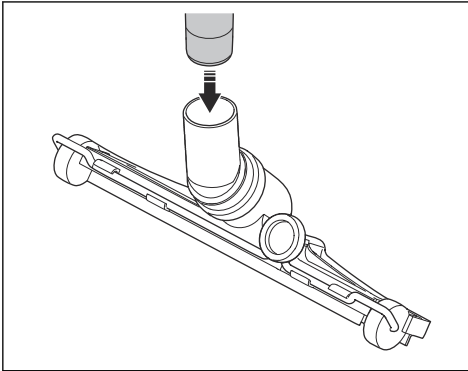
## To remove the dust extraction hose

- Push the hose lock button (A) and pull the dust extraction hose.

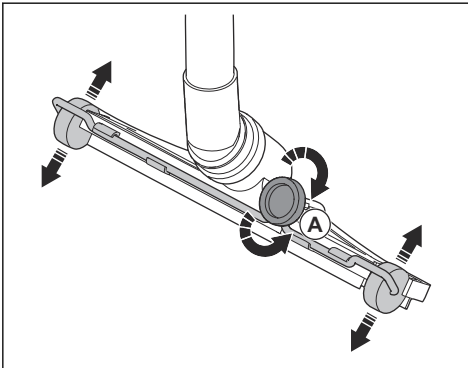


## To attach and adjust the floor nozzle

1. Put the end of the handle fully into the shaft of the floor nozzle.



2. Turn the knob (A) at the rear of the floor nozzle to adjust the floor nozzle wheels. Different surfaces and different types of dust and materials make it necessary to adjust the wheels to get the best performance.



## Bluetooth® wireless technology

Products with built-in Bluetooth® wireless technology can connect to mobile devices and enables additional functions from Husqvarna Connect.

The symbol for *Bluetooth*® wireless technology comes on when your mobile device is connected to the product.



## To use embedded connectivity with fleet

**Note:** This part is applicable only for products supplied with embedded connectivity.

**Note:** Radio transmission by the Bluetooth® function will be enabled on the first time of connection to a power outlet, and stay on after that.

1. Download the Husqvarna Fleet Services iOS or Android app Husqvarna Fleet Services.
2. Go to Husqvarna Fleet Services website <https://fleetservices.husqvarna.com> for more information.

## To connect the battery charger

1. Connect the battery charger to the voltage and frequency that is specified on the rating plate.
2. Put the plug in a grounded socket outlet. The LED on the battery charger flashes green one time.

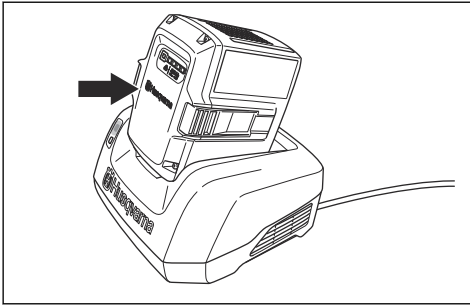
**Note:** The battery does not charge if the battery temperature is more than 50 °C/122 °F. If the temperature is more than 50 °C/122 °F, the battery charger makes the battery become cool before the battery charges.

## To connect the battery to the battery charger

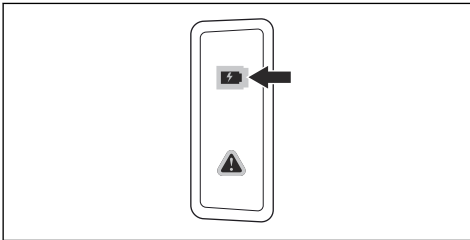
**Note:** Charge the battery if it is the first time that you use it. A new battery is only 30% charged.

1. Make sure that the battery is dry.

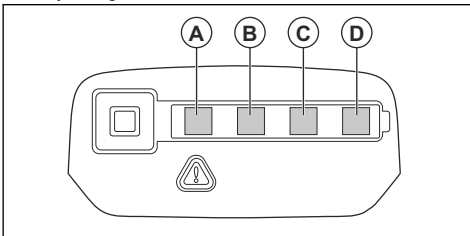
- Put the battery in the battery charger.



- Make sure that the green charging light on the battery charger comes on. That means that the battery is connected correctly to the battery charger.



- When all LEDs on the battery come on, the battery is fully charged.



- To disconnect the battery charger from the mains socket, pull the plug. Do not pull the cable.
- Remove the battery from the battery charger.

**Note:** Refer to the battery and battery charger manuals for more information.

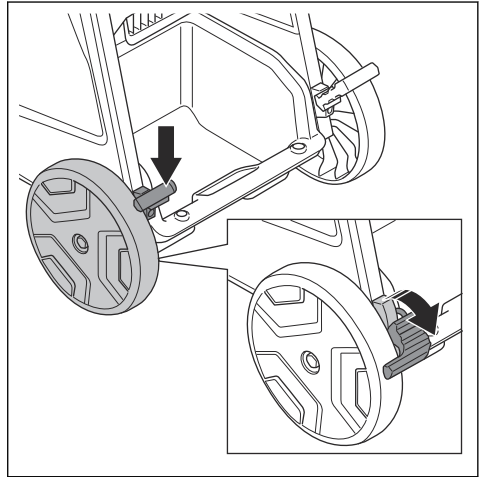
## To lock and unlock the transport wheels

For operation on a surface with a slope it is necessary to lock the transport wheels.



**WARNING:** Wheels and bearings must be clean and without dust for safe operations. Refer to *Maintenance schedule* on page 17.

- Hold the product in a stationary and safe position.
- Push down the wheel brake on each side to lock the wheels.

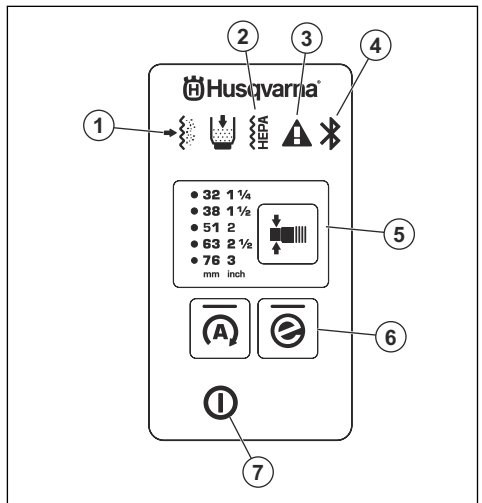


**Note:** DE110i H has only 1 wheel brake.

- Pull up the wheel brakes to unlock the wheels.

## Functions of the control panel

The control panel controls and monitors important functions and setups of the product. Refer to *Warnings on the control panel* on page 22 to find solutions for the warnings.



- The prefilter is clogged. Refer to *To remove dust particles from the prefilter during operation* on page 15.

- The HEPA filter is clogged, damaged or missing. Refer to *Warnings on the control panel on page 22*.
- Warning. Refer to *Warnings on the control panel on page 22*.
- Bluetooth® connection. Refer to *To use embedded connectivity with fleet on page 11*.
- Diameter change function for hose, refer to *To select the hose nozzle diameter on page 13*
- e-Flow button, refer to *e-Flow function on page 13*
- On/Off button

### e-Flow function



The product has an e-Flow function. This function automatically adjusts the airflow to the workload for optimal performance. The product always starts with the last settings used.

Refer to *Functions of the control panel on page 12* to engage or disengage the function.

### Airflow warning system

The airflow in the suction hose must be more than 20 m/s (66 ft/s).

For the minimum airflow with the selected hose diameter refer to the table.

| DE 110i H   |                         | DE 120 H PACE  |                         |
|---|-------------------------|--|-------------------------|
|  max. $\dot{V}$ | $\dot{V}$ min           |  max. $\dot{V}$ | $\dot{V}$ min           |
| in. (mm)  | CFM (m <sup>3</sup> /h) | in. (mm)   | CFM (m <sup>3</sup> /h) |
| 1 (27)  | 24 (41)                 | 1 ½ (38)   | 48 (82)                 |
| 1 ¼ (32)  | 34 (58)                 | 1 ¾ (42)   | 59 (100)                |
| 1 ½ (38)  | 48 (82)                 | 2 (51)   | 87 (147)                |
| 1 ¾ (42)  | 59 (100)                | 2 1/2 (63)   | 132 (224)               |
| 2 (51)  | 87 (147)                | 3 (76)   | 192 (327)               |

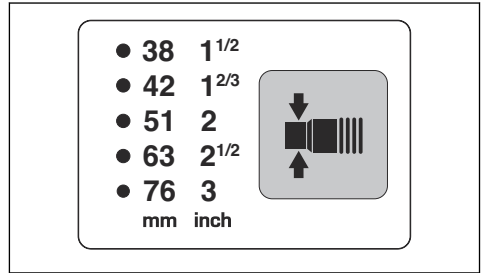
**Note:** If the airflow is less than 20 m/s (66 ft/s), the sound alarm and the warning symbol comes on. Refer to *Warnings on the control panel on page 22*.

### To select the hose nozzle diameter

**Note:** If you do not select the correct hose diameter, the airflow warning system will come on.

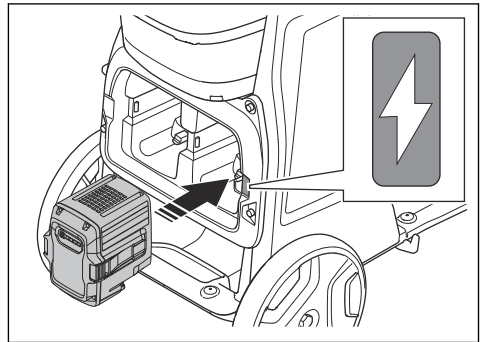
When you start the product, the last selected hose diameter is automatically selected.

- Push the button to select the correct hose diameter. The green LED tells which diameter you have selected.



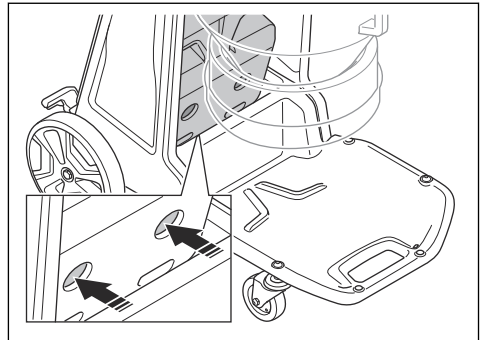
### To install and remove the battery

- Put the battery in the battery holder. The electricity symbol shows which holder is energized.

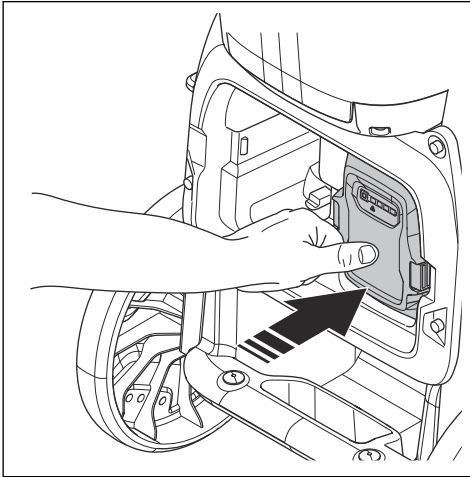


**CAUTION:** Make sure that the battery is installed correctly into the battery holder. If the battery does not move easily into the battery holder, the position is not correct.

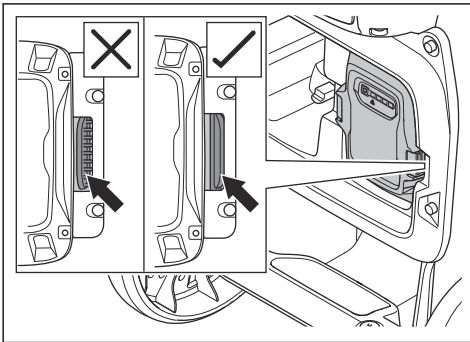
- Remove a blocked battery by pushing through the access holes.



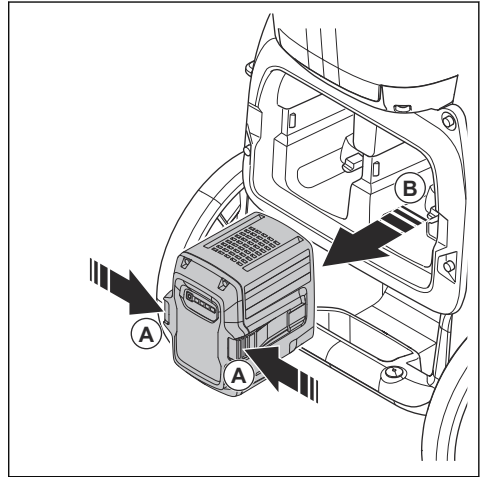
3. Push on the lower part of the battery until you hear a click.



4. Examine the battery lock indicator for correct battery installation. This only applies for DE 120 H PACE.



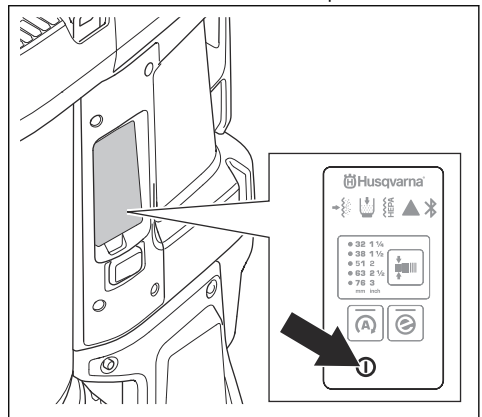
5. Push the battery release buttons (A) and remove the battery (B) from the battery holder to prevent accidental start.



## To start and stop

**Note:** The suction is not at full capacity directly at start, the suction operates fully after 5 seconds.

1. Install the battery. Refer to *To install and remove the battery on page 13*.
2. Push the On/Off button to start the product.



3. Select correct hose diameter. Refer to *To select the hose nozzle diameter on page 13*.
4. To stop the product, push and hold the On/Off button until the green LED light goes off.
5. Remove the battery from the battery holder. Refer to *To install and remove the battery on page 13*.

## Hour meter

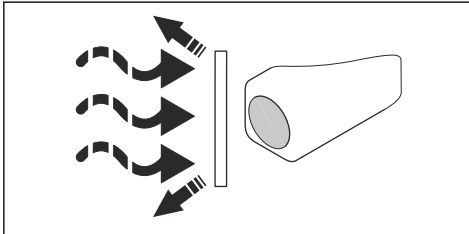
The hour meter shows the total operation time of the product in hours.

## To remove dust particles from the prefilter during operation

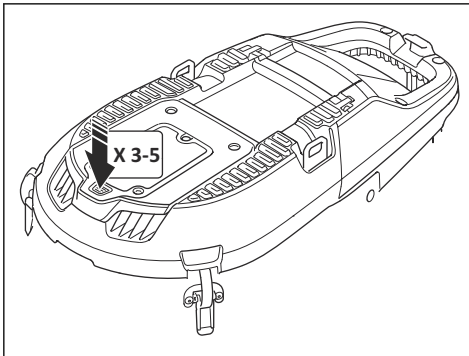
The filter purge procedure cleans the prefilter from unwanted material. Do the procedure in these situations:

- Before a work stop or at the end of each work day. If the product is off for a while, it gives the dust more time to fall down. This makes the filter purge procedure more powerful.
- When the suction is not sufficient.
- Before installation of a new Longopac bag.
- When the prefilter clogged alarm goes off.

1. Stop the product and let the dust fall down into the Longopac bag.
2. Start the product. Refer to *To start and stop on page 14*.
3. Close the air flow that moves through the air intake with the air intake plug or the intake valve to make vacuum.



4. Wait 5 seconds until vacuum is made, then push the filter purge button. Do this step 3 to 5 times. It is important to let the product make vacuum between each button push.



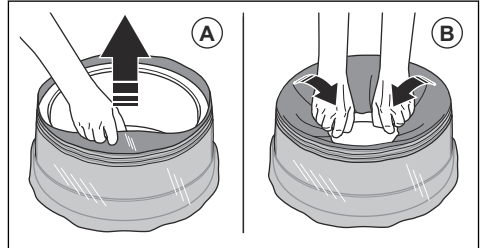
If the suction is not sufficient after this procedure, it is necessary to clean the prefilter with water. Refer to *To clean the prefilter with water on page 19*.

## To install a new Longopac bag cassette

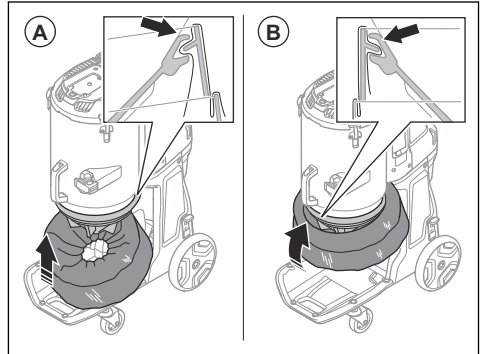


**CAUTION:** Clean the prefilter before you install a new Longopac cassette. Refer to *To clean the prefilter with water on page 19*.

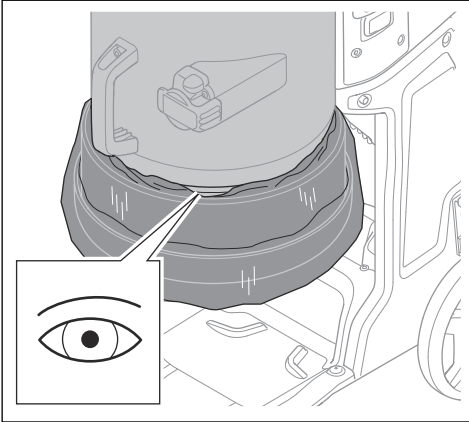
1. Put the Longopac cassette around the inner edge of the Longopac holder.
2. Remove the 4 straps after you put the Longopac in the holder.
3. Pull the inner layer of the Longopac cassette up (A) and fold it into the holder (B).



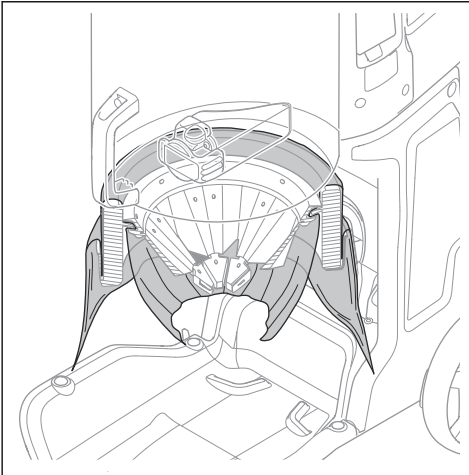
4. Attach the Longopac holder to the rear part of the container (A). Then attach the Longopac holder to the sides and to the front of the container (B). Push the Longopac holder up until you hear a solid click.



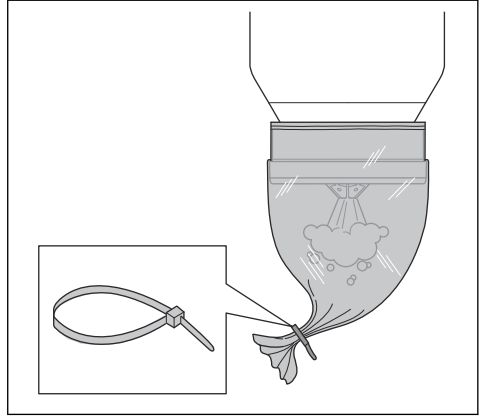
5. Make sure that the Longopac is sealed.



6. Pull the outer layer of the Longopac cassette down.



7. Close the bottom of the Longopac with a cable tie.

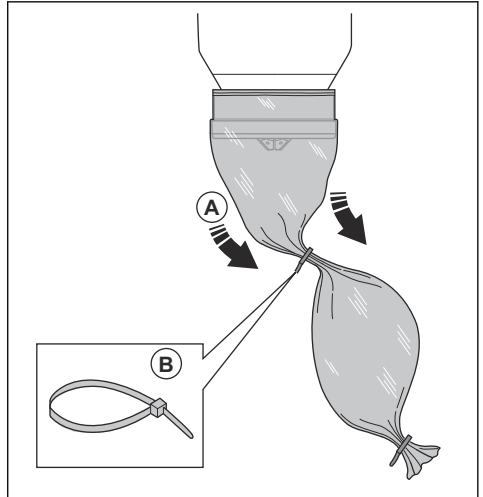


## To discard a full Longopac bag and prepare a new Longopac bag



**WARNING:** Lift the Longopac bag with caution, a full Longopac bag can be heavy. Make sure that the cable ties are closed correctly before you lift the Longopac bag.

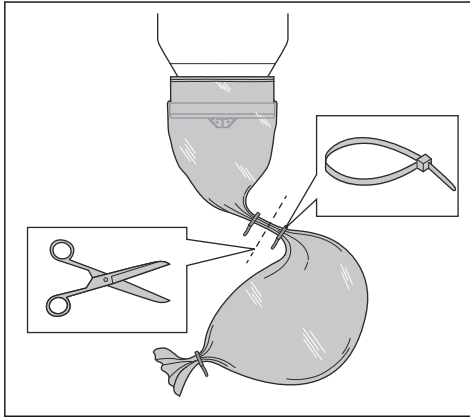
1. Pull out the Longopac bag (A) and attach a cable tie (B) to close the new Longopac bag.



2. Shake down the dust in the used Longopac bag.



- Attach a cable tie 10 cm/3.9 in. below the first cable tie to close the used Longopac bag. Cut off the Longopac bag between the cable ties.



- If the remaining part of the Longopac bag cassette is too small to prepare a new Longopac bag, install a new Longopac bag cassette. Refer to *To install a new Longopac bag cassette on page 15*.
- Obey local regulations for disposal of the full Longopac bag.

### To do after completed work

- Do the filter purge procedure. Refer to *To remove dust particles from the prefilter during operation on page 15*.
- Stop the product, refer to *To start and stop on page 14*.
- Discard the Longopac bag. Refer to *To discard a full Longopac bag and prepare a new Longopac bag on page 16*.
- Clean the product. Refer to *To clean the product on page 19*.
- Prepare the product for transportation. Refer to *To move the product long distances on page 24*.

## Maintenance

### Introduction



**WARNING:** Read and understand the safety chapter before you do maintenance work on the product.



**WARNING:** Remove the battery before you do maintenance on the product.



**WARNING:** Failure to do maintenance correctly can decrease the product life cycle and increase the risk of accidents.

All servicing and/or repair work must also be done by a professional. Turn to your servicing dealer for more information.



**WARNING:** Make sure that you obey all local regulations to dispose the dangerous dust correctly, before and during maintenance.

### Maintenance schedule

The maintenance intervals are calculated from daily use of the product. The intervals change if the product is not used daily.

| Maintenance  | Before each use | Daily | Weekly | When suction is low | Each 12 months or 600 h | Each 24 months or 2000 h |
|--|-----------------|-------|--------|---------------------|-------------------------|--------------------------|
| Do the filter purge procedure. Refer to <i>To remove dust particles from the prefilter during operation on page 15</i> . | X               |       |        |                     |                         |                          |
| Look for signs of wear or damage of the dust release rubber cone.  | X               |       |        |                     |                         |                          |
| Look for signs of wear, damage or loose connections of the controls before the unit is connected.                        | X               |       |        |                     |                         |                          |
| Do a check of the hose and the hose connectors.  | X               |       |        |                     |                         |                          |
| Look for signs of wear or damage of the plastic parts.   | X               |       |        |                     |                         |                          |

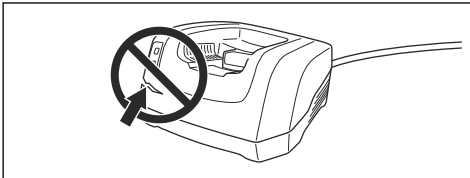
| Maintenance   | Before each use | Daily | Weekly | When suction is low | Each 12 months or 600 h | Each 24 months or 2000 h |
|---|-----------------|-------|--------|---------------------|-------------------------|--------------------------|
| Do a check of the lifting eyes.   | X               |       |        |                     |                         |                          |
| Make sure that the Longopac is correct and that it is correctly attached. Refer to <i>To install a new Longopac bag cassette on page 15.</i>                                |                 | X     |        |                     |                         |                          |
| Do a check of the filter purge function.  |                 | X     |        |                     |                         |                          |
| Do a check of the wheels. Look for damage and bad connections.  |                 |       | X      |                     |                         |                          |
| Do a check of the filter seals  |                 |       | X      |                     |                         |                          |
| Do the filter purge procedure. If the suction continues to be not sufficient, clean the prefilter with water. Refer to <i>To clean the prefilter with water on page 19.</i> |                 |       |        | X                   |                         |                          |
| Replace the cleaned prefilter if the suction continues to be not sufficient. Refer to <i>To replace the prefilter on page 20.</i>   |                 |       |        | X                   |                         | X                        |
| Replace the HEPA filter.  |                 |       |        | X                   | X                       |                          |
| Replace the dust release rubber cone.   |                 |       |        |                     |                         | X                        |
| Replace filter cleaning rubber parts.   |                 |       |        |                     |                         | X                        |

## To do a check of the control panel

1. Push and hold the On/Off button until the green LED comes on. Refer to *Functions of the control panel on page 12.*
2. Push and hold the On/Off button until the green LED goes off.

## To do a check of the battery charger

1. Make sure that the battery charger and the power supply cord is not damaged. Look for cracks and other damages.

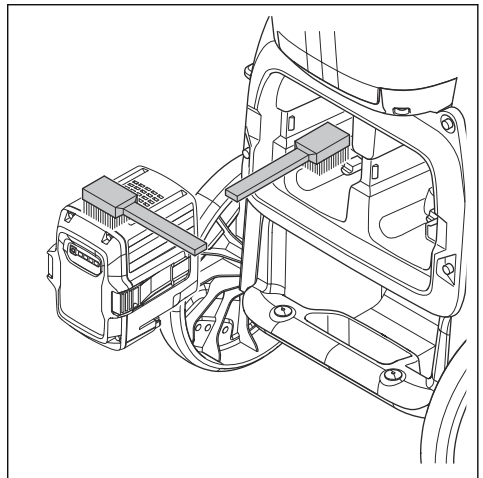


## To do a check of the battery and the battery holder



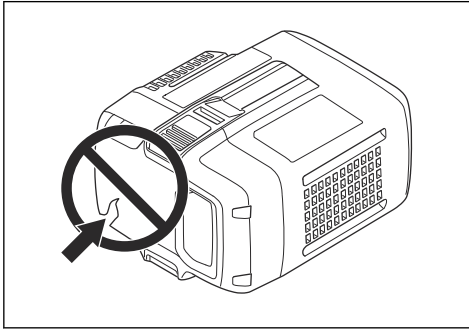
**CAUTION:** Do not clean the battery or the battery charger with water.

1. Clean the battery and the battery holder with a soft brush.



2. Clean the cooling slots and battery connectors.

3. Make sure that the battery is not damaged and there are no other defects, such as cracks.



## To clean the product

Operation can cause contamination on all parts of the product and all used equipment. Thus it is necessary to clean all parts of the product and all used equipment fully and carefully.



**WARNING:** Disconnect the product from the power supply.



**WARNING:** Clean the product before it is moved from the work area. Remaining dust on the product can go into the air and cause a health risk.

- Use personal protective equipment. Refer to *Personal protective equipment* on page 9.
- Do not clean the product with a high-pressure washer or compressed air.
- Clean the external surface with a moist cloth.
- Do not use water on electrical components.
- Clean the filters as given in *To clean the prefilter with water* on page 19 and *To replace the HEPA filter* on page 20.
- After servicing, put discarded parts in plastic bags.
- Refer to local regulations for the correct procedure.
- If you use water to clean the product, remove the prefilter and the Longopac before you clean. Also make sure that no water goes into the HEPA filter.

## To clean the prefilter with water



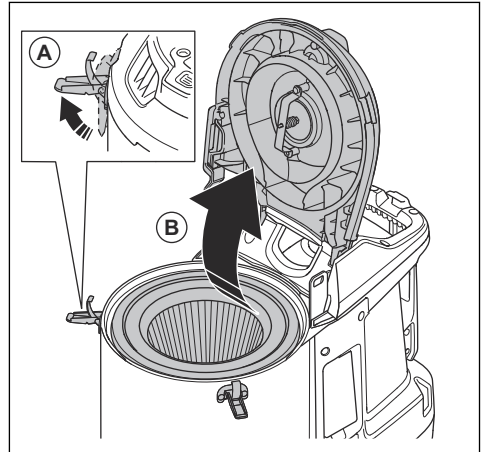
**CAUTION:** Do not use a high-pressure washer or compressed air to clean the prefilter. Do not hit the prefilter with force to clean it.



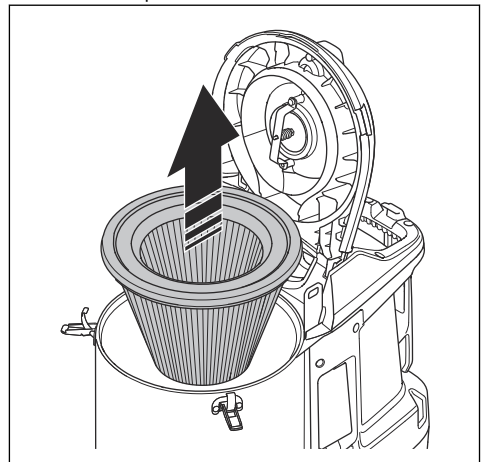
**CAUTION:** Do not let it dry in full sunlight. The seals will dry out.

**Note:** To clean the with water will gradually decrease the efficiency of the filter.

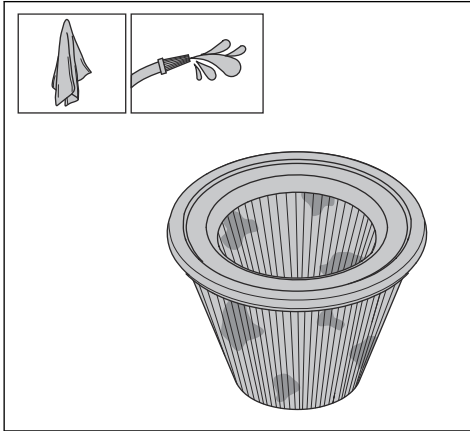
1. Loosen the cover locks (A) and open the prefilter cover (B).



2. Remove the prefilter.



- Clean the prefilter with running water from the inner surface of the prefilter.



**CAUTION:** The water pressure must not be higher than 4 bars.



**CAUTION:** Do not hit or drag items across the filter surface as this will do damage to the filter.

- Let the prefilter dry fully.



**CAUTION:** The prefilter must be 100% dry before you install it into the housing.

- Install the prefilter, close the prefilter cover and tighten the cover locks.

If the prefilter cannot be fully cleaned or if it is damaged, it must be replaced. Refer to *To replace the prefilter on page 20*.

## Filter replacement



**WARNING:** Use personal protective equipment. Refer to *Personal protective equipment on page 9*. Dangerous dust can release into the air during filter replacement.



**WARNING:** Stop the product and disconnect the power supply before filter replacement.

## To replace the prefilter

- Remove the prefilter. Refer to *To clean the prefilter with water on page 19*.
- Put the prefilter carefully in a plastic bag.

- Discard the plastic bag correctly. Refer to local regulations.
- Install the new prefilter.

If the suction is not sufficient when a new prefilter is installed, it is necessary to replace the HEPA filter. Refer to *To replace the HEPA filter on page 20*.

## To replace the HEPA filter

The HEPA filter cannot be cleaned. It is always necessary to replace it with a new HEPA filter. Only use Husqvarna HEPA filters.



**WARNING:** Only an approved service center or an approved authority is permitted to replace the HEPA filter.



**WARNING:** Always use personal protective equipment, refer to *Personal protective equipment on page 9*.



**WARNING:** The particles in the HEPA filter are dangerous to your health.



**WARNING:** Make sure that there are no holes in the HEPA filter. A damaged HEPA filter is a health risk.

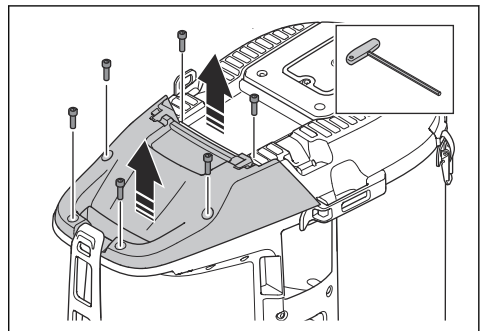


**WARNING:** Do not install a used HEPA filter. If you install a used HEPA filter, leakage and decreased filtration efficiency can occur.

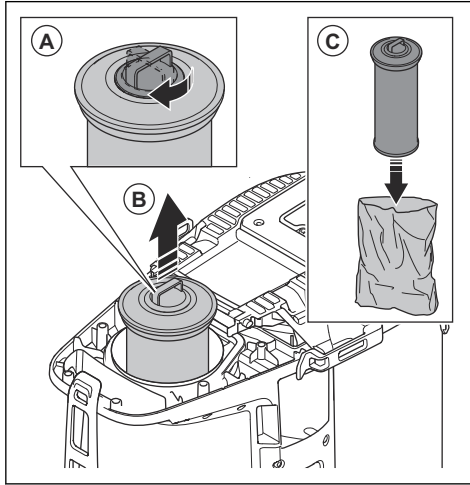


**CAUTION:** Do not touch the inner surface of the HEPA filter. This can cause damage to the HEPA filter.

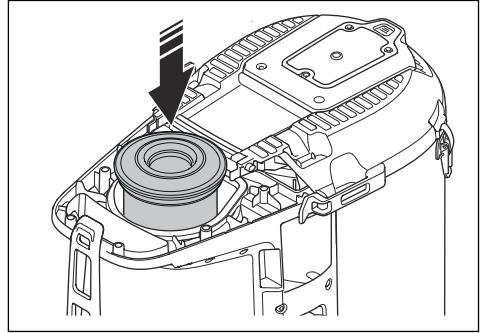
- Loosen the 6 screws and remove the HEPA filter cover.



2. Attach the dust cap (A) and pull out the HEPA filter. Put it into a clean plastic bag (C).



3. Discard the plastic bag correctly. Refer to local regulations.  
4. Install a new HEPA filter. Make sure that the HEPA filter is pushed to the end position.



5. Install the HEPA filter cover and tighten the 6 screws.

## Troubleshooting

### Troubleshooting schedule

| Problem  | Cause   | Solution   |
|--|---|--|
| The motor stops immediately after start or does not start. | There is no power.                                | Connect the battery to the product.  |
|  | There is a fault with the battery.                | Do a check of the battery or replace the battery if necessary. Let an approved service agent repair the product. |
|  | The green LED flashes on the battery.             | Low battery voltage. Charge the battery.   |
|  | The HEPA filter is damaged or not installed.      | Replace or install the HEPA filter.  |
|  | There is a short circuit in the product.          | Let an approved service agent repair the product.  |
|  | Too high voltage in power supply.                 | Make sure that correct power supply is used.   |
|  | Too high ambient temperature.                     | Make sure that the ambient temperature is in specified range when you use the product.                           |
| Fan is broken or disconnected.                             | Let an approved service agent repair the product. |  |

| Problem                                    | Cause  | Solution  |
|--|--|---|
| The motor is on but there is no suction.   | The dust extraction hose is not connected correctly. | Connect the dust extraction hose.   |
|  | The dust extraction hose is blocked.                 | Clean the dust extraction hose.   |
|  | There is no Longopac.                                | Install a Longopac cassette.  |
|  | The Longopac is not closed down with a cable tie.    | Attach a cable tie.   |
| The suction is not sufficient.             | Too low voltage in power supply.                     | Make sure that correct power supply is used.                                      |
|  | There is a hole in the dust extraction hose.         | Replace the dust extraction hose.   |
|  | The prefilter is clogged.                            | Remove dust particles from the prefilter. Clean or replace it if it is necessary. |
|  | The HEPA filter is clogged.                          | Replace the HEPA filter. Refer to <i>To replace the HEPA filter on page 20.</i>   |
|  | The top cover is loose.                              | Close the top cover fully.  |
|  | The seals are broken                                 | Replace the seals.  |
| Dust releases into the air from the motor. | The filters are incorrectly installed or damaged.    | Install the filters correctly. Replace damaged filters.                           |
| Unusual noise comes from the product.      | N/A  | Let an approved service agent repair the product.                                 |



## Warnings on the control panel



**CAUTION:** Do not operate the product if the red light comes on. If the initial solution does not remove the error, speak with an

approved service agent before you operate the product again.

| Symbol | Signal                                    | Cause   | Solution  |
|--------|---|---|---|
|        | Buzzer signal and the red light comes on. | The prefilter is clogged.                                     | Do a filter purge procedure, refer to <i>To remove dust particles from the prefilter during operation on page 15.</i>                         |
|        |   | Incorrect hose is connected or selected in the control panel. | Attach correct hose or select the correct hose dimension on the control panel, refer to <i>To select the hose nozzle diameter on page 13.</i> |
|        |   | The hose is damaged or compressed.                            | Replace the hose.   |
|        |   | The hose is clogged.  | Clear the hose.   |
|        | The red light flashes.                    | The main vacuum hose is disconnected.                         | Let an approved service agent repair the product.   |
|        | Red light comes on.                       | The HEPA filter is missing, full or damaged.                  | Do a check of the HEPA filter, replace if necessary. Refer to <i>To replace the HEPA filter on page 20.</i>                                   |

| Symbol  | Signal                 | Cause                            | Solution  |
|---|------------------------|----------------------------------|---|
|   | Red light flashes.     | Battery error.                   | Let an approved service agent repair the product.   |
|   | Red light comes on.    | Wire communication not detected. | Let an approved service agent repair the product.   |
|   |                        | The control unit is damaged.     | Let an approved service agent repair the product.   |
|   |                        | Wrong battery is used.           | Use correct battery.  |
|   |                        | Warning.                         | Look at the operation record of your Husqvarna fleet app or speak to an approved service agent. |
|  | Yellow light comes on. | The HEPA filter is almost full.  | Replace the HEPA filter if necessary.   |
|   | Red light comes on.    | The HEPA filter is full.         | Replace the HEPA filter.  |

## Error codes

| Error code | Error                       | Description  | Probable cause(s)                       | Action(s)   |
|------------|-----------------------------|--|---|---|
| 2          | HEPA filter missing.        | Product shuts down/does not start.<br>+ Warning light on HMI.<br>+ HEPA symbol on HMI. | HEPA filter is missing or damaged.      | Assemble or replace the HEPA filter.                        |
| 3          | Low supply voltage.         | Low performance (low air flow/vacuum).   | Too low voltage in grid/power supply.   | Make sure correct grid/power supply is used.                |
| 4          | High supply voltage.        | Product shuts down/does not start.<br>+ Warning diode light on HMI.                    | Too high voltage in grid/power supply.  | Make sure correct grid/power supply is used.                |
|            |                             |  | Wrong battery used.                     | Use correct battery.  |
| 5          | Main Pressure Sensor Error. | Prefilter light flashes red.   | Vacuum hose is disconnected or blocked. | Speak to an approved service agent.                         |
|            |                             |  | Control unit is damaged.                |   |
| 6          | PCBA temperature too high.  | Product shuts down/ does not start.<br>+ Warning diode light on HMI.                   | Too high ambient temperature.           | Do not use the product outside specified temperature range. |
| 7          | Fan malfunction.            | Product shuts down/ does not start.<br>+ Warning diode light on HMI.                   | Fan is damaged or disconnected.         | Speak to an approved service agent.                         |
|            |                             |  | Control unit is damaged.                |   |

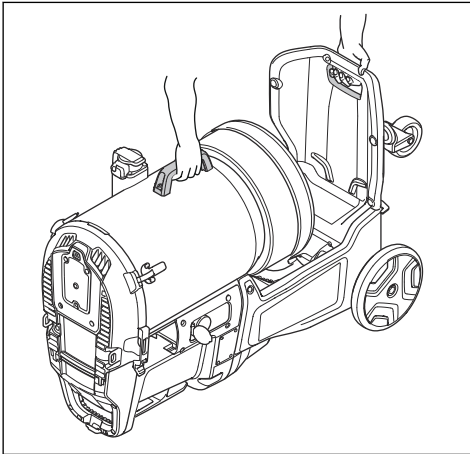
| Error code | Error                                | Description  | Probable cause(s)              | Action(s)                           |
|------------|--------------------------------------|--|--------------------------------|-------------------------------------|
| 9          | One wire communication not detected. | Product shuts down/ does not start.<br>+ Warning diode light on HMI. | Cable disconnected or damaged. | Speak to an approved service agent. |

## Transportation, storage and disposal

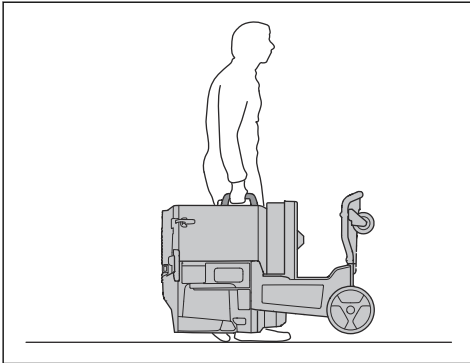
### To move the product short distances

Make sure that the intake valve is closed. Make sure that the dust caps are on the hoses.

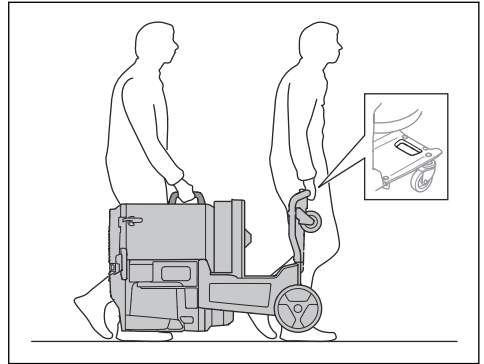
1. Put the product down on the ground.



2. Lift the product manually.



3. If 2 persons lift the product, make sure to use the 2 lifting points.



### To move the product long distances

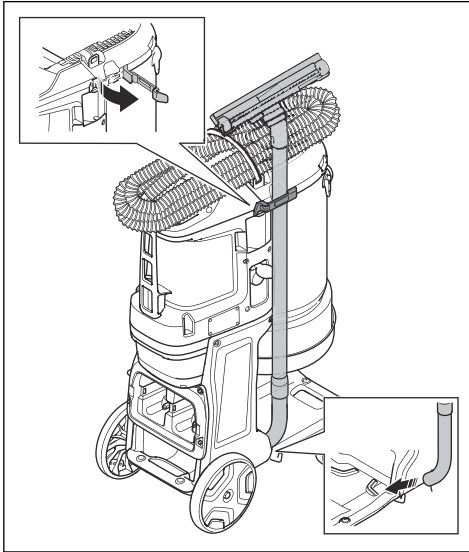
Make sure to use a closed vehicle during transportation of the product.

Make sure that the intake valve is closed. Make sure that the dust caps are on the hoses.

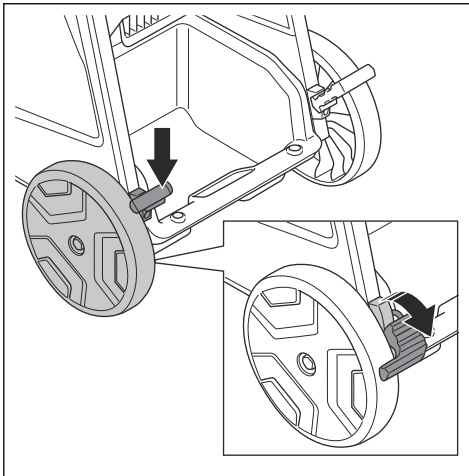
1. Make sure that the Longopac is installed on the product.
2. Make sure that the Longopac bag is empty.



3. Attach the power cord, the dust extraction hose and the handle pipe tightly to the product.

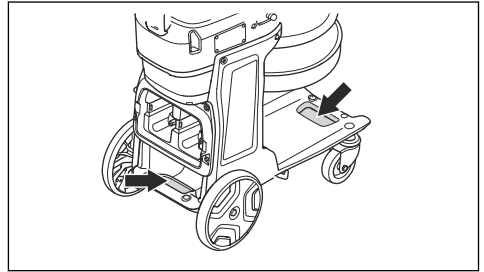


4. Lock the transport wheels.



5. Lift the product, refer to *To lift the product on page 25*.

6. Attach the product safely to the transportation vehicle to prevent damage and accidents. Use the tie-down points.



#### To lift the product



**WARNING:** Make sure that the lifting equipment and the lifting straps have the correct specification to lift the product safely. The type plate on the product shows the product weight, refer to *Type plate on page 5*.



**WARNING:** Get aid if you are not sure about how to lift heavy equipment.



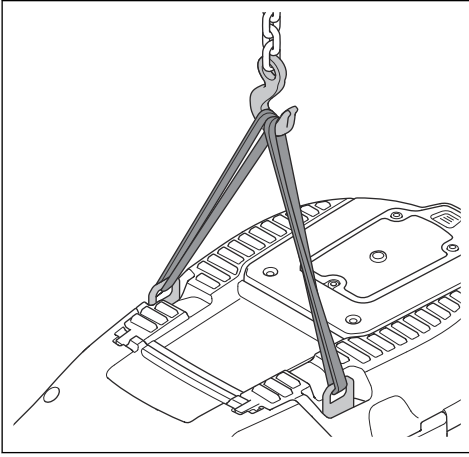
**WARNING:** Do not lift the product with dust in the tank or in the bag. Do not lift the product with added weight in or on the product.



**WARNING:** Do not lift the product with batteries installed.

1. Do the filter purge procedure before you lift the product. Refer to *To remove dust particles from the prefilter during operation on page 15*.

2. To lift the product safely, put straps through the lifting eyes.



**WARNING:** Do not use metal hooks, chains or other lifting equipment with rough edges that can cause damage to the lifting eye. Only soft lifting straps are permitted.

## Storage of the product



**CAUTION:** Put the product in an indoor storage away from outdoor elements.

- Keep the product in storage where the ambient temperature is between  $-10^{\circ}\text{C}/14^{\circ}\text{F}$  and  $40^{\circ}\text{C}/104^{\circ}\text{F}$ .
- Before storage, do the filter purge procedure and discard the Longopac with collected material.
- Disconnect the product from the power source.
- Put the product in a dry and frost-free area.
- Put the product in a locked area. Do not let children or not approved persons near the product.

## Disposal of the product

- Obey the local recycling requirements and applicable regulations.
- When the product no longer is used, send it to a Husqvarna dealer or discard it at a recycling location.

## Technical data

### Technical data

| Data  | DE 110i H                     | DE 120 H PACE                 |
|---|-------------------------------|-------------------------------|
| Power source  | Battery                       | Battery                       |
| Rated voltage, V  | 36                            | 94                            |
| Maximum power, W  | 900                           | 2200                          |
| Maximum current, A  | 20                            | 17                            |
| Maximum airflow, cfm / m <sup>3</sup> /h                                      | 127 / 215                     | 259 / 450                     |
| Maximum vacuum, psi / kPa / in. H <sub>2</sub> O                              | 2.5 / 17 / 68                 | 2.9 / 22 / 88                 |
| Auxiliary outlet  | No                            |                               |
| Pre-filter area, ft <sup>2</sup> / m <sup>2</sup>                             | 15.4 / 1.4                    | 29.5 / 2.7                    |
| Filter efficiency HEPA  | HEPA 13                       |                               |
| Total HEPA area, ft <sup>2</sup> / m <sup>2</sup> HEPA 13                     | 12.7 / 1.2                    | 25.4 / 2.4                    |
| Dust collection system, type  | Longopac                      |                               |
| Filter cleaning mechanism   | Jet Pulse                     |                               |
| Dimensions L×W×H, in. / mm  | 26.4×15.7×39.4 / 670×400×1000 | 32.1×21.3×44.3 / 815×542×1125 |
| Weight, lbs / kg  | 57 / 26                       | 90 / 41                       |
| Sound power level L <sub>WA</sub> measured, dB(A) <sup>1</sup>                | 83.6                          | 97.3                          |
| Sound pressure level L <sub>PA</sub> at the operators ear, dB(A) <sup>2</sup> | 68.3                          | 83.8                          |
| Vibration level a <sub>h</sub> , m/s <sup>23</sup>                            | ≤2.5                          |                               |
| Protection class  | IP44                          |                               |

### Embedded connectivity

**Note:** This part is applicable only for products supplied with embedded connectivity.

| BLE technology radio spectrum                     |             |
|---|-------------|
| Frequency bands for the tool, GHz                 | 2.402-2.480 |
| Maximum radio-frequency power transmitted, dBm/mW | 4/2.5       |

<sup>1</sup> Noise emissions in the environment measured as sound power (LWA) in conformity with EN 60335-2-69. Uncertainty Kwa 2dB.

<sup>2</sup> Noise pressure level according to EN 60335-2-69. Uncertainty KPA 2dB.

<sup>3</sup> Vibration level according to EN 60335-2-69. Reported data for vibration level has a typical statistical dispersion (standard deviation) of 1 m/s<sup>2</sup>.

---

## Accessories

---

### Approved batteries for the product

| Product              | DE 110i H   |             | DE 120 H PACE |                |
|----------------------|-------------|-------------|---------------|----------------|
|                      | Battery     | BLi 200     | BLi 300       | 100-B380X PACE |
| Type                 | Lithium-ion | Lithium-ion | Lithium-ion   | Lithium-ion    |
| Battery capacity, Ah | 5.2         | 9.4         | 4             | 8              |
| Nominal voltage, V   | 36          | 36          | 94            | 94             |
| Weight, kg / lb      | 1.3 / 2.9   | 1.9 / 4.2   | 3.1 / 6.1     | 5.1 / 11.4     |

### Approved battery chargers for the product

| Product          | DE 110i H       |         | DE 120 H PACE |                |
|------------------|-----------------|---------|---------------|----------------|
|                  | Battery charger | QC 330  | QC 500        | 100-C900X PACE |
| Mains voltage, V | 100-240         | 100-240 | 100-240       | 100-240        |
| Frequency, Hz    | 50-60           | 50-60   | 50-60         | 50-60          |
| Power, W         | 330             | 500     | 900           | 1800           |

---

# Declaration of Conformity

---

## EU Declaration of Conformity

We, **Husqvarna AB**, SE 561 82 Huskvarna, Sweden, tel:  
+46 36 146500, declare on our sole responsibility that  
the product:

|                       |   |
|-----------------------|---|
| <b>Description</b>    | Dust Extractor                              |
| <b>Brand</b>          | HUSQVARNA                                   |
| <b>Type / Model</b>   | DE 110i H, DE 120 H PACE                    |
| <b>Identification</b> | Serial numbers dating from 2023 and onwards |

complies fully with the following EU directives and  
regulations:

| <b>Directive/Regulation</b> | <b>Description</b>                                |
|-----------------------------|---|
| 2006/42/EC                  | "relating to machinery"                           |
| 2014/53/EU                  | "relating to radio equipment"                     |
| 2011/65/EU                  | "relating to restriction of hazardous substances" |

and that following standards and/or technical  
specifications are applied;

EN ISO 12100:2010

EN 60335-2-69:2012

EN IEC 55014-1:2021

EN IEC 55014-2:2021

ETSI EN 300 328 V2.2.2

EN IEC 63000:2018

Partille, 2023-07-24



Martin Huber

R&D Director, Concrete Surfaces & Floors

Husqvarna AB, Construction Division

Responsible for technical documentation

# UK Declaration of Conformity

We, Husqvarna AB, SE 561 82 Huskvarna, SWEDEN,  
Tel: +46 36 146500 declare on our sole responsibility  
that the product:

|                       |   |
|-----------------------|---|
| <b>Description</b>    | <b>Dust Extractor</b>                       |
| <b>Brand</b>          | HUSQVARNA                                   |
| <b>Type/Model</b>     | DE 110i H, DE 120 H PACE                    |
| <b>Identification</b> | Serial numbers dating from 2023 and onwards |

complies fully with the following UK regulations:

|  |
|--|
| <b>Description</b>   |
| The Supply of Machinery (Safety) Regulations 2008  |
| The Radio Equipment Regulations 2017   |
| The Restriction of the Use of Certain Hazardous Substances in Electrical and Electronic Equipment Regulations 2012 |

and that the following standards and/or technical specifications are applied;

EN ISO 12100:2010

EN 60335-2-69:2012

EN IEC 55014-1:2021

EN IEC 55014-2:2021

ETSI EN 300 328 V2.2.2

EN IEC 63000:2018

Partille, 2023-07-24

UK Importer:  
Husqvarna UK Ltd  
Preston Road, Co. Durham  
DL5 6UP



Martin Huber  
R&D Director, Concrete Surfaces & Floors  
Husqvarna AB, Construction Division  
Responsible for technical documentation

**UK  
CA**

---

## Registered trademarks

---

The *Bluetooth*<sup>®</sup> word mark and logos are registered trademarks owned by *Bluetooth SIG, inc.* and any use of such marks by Husqvarna is under license.

---

## Inhalt

---

|                     |    |   |    |
|---------------------|----|---|----|
| Einleitung.....     | 32 | Transport, Lagerung und Entsorgung..... | 57 |
| Sicherheit.....     | 35 | Technische Daten.....                   | 60 |
| Betrieb.....        | 41 | Zubehör.....                            | 61 |
| Wartung.....        | 49 | Konformitätserklärung.....              | 62 |
| Fehlerbehebung..... | 54 | Eingetragene Marken.....                | 63 |

---

## Einleitung

---

### Gerätebeschreibung

Das Gerät ist ein Akku-Staubabsauger. Staubige Luft strömt durch den Saugschlauch in das Einlassventil. Das Gerät trennt die Staubpartikel von der Luft. Die Partikel fallen in den Kunststoffbeutel an der Unterseite des Geräts.

### Verwendungszweck

---



**WARNUNG:** Saugen sie keine Zündquellen, heißen Partikel, Flüssigkeiten,

explosiven Materialien und instabile oder pyrophorische Partikel auf.

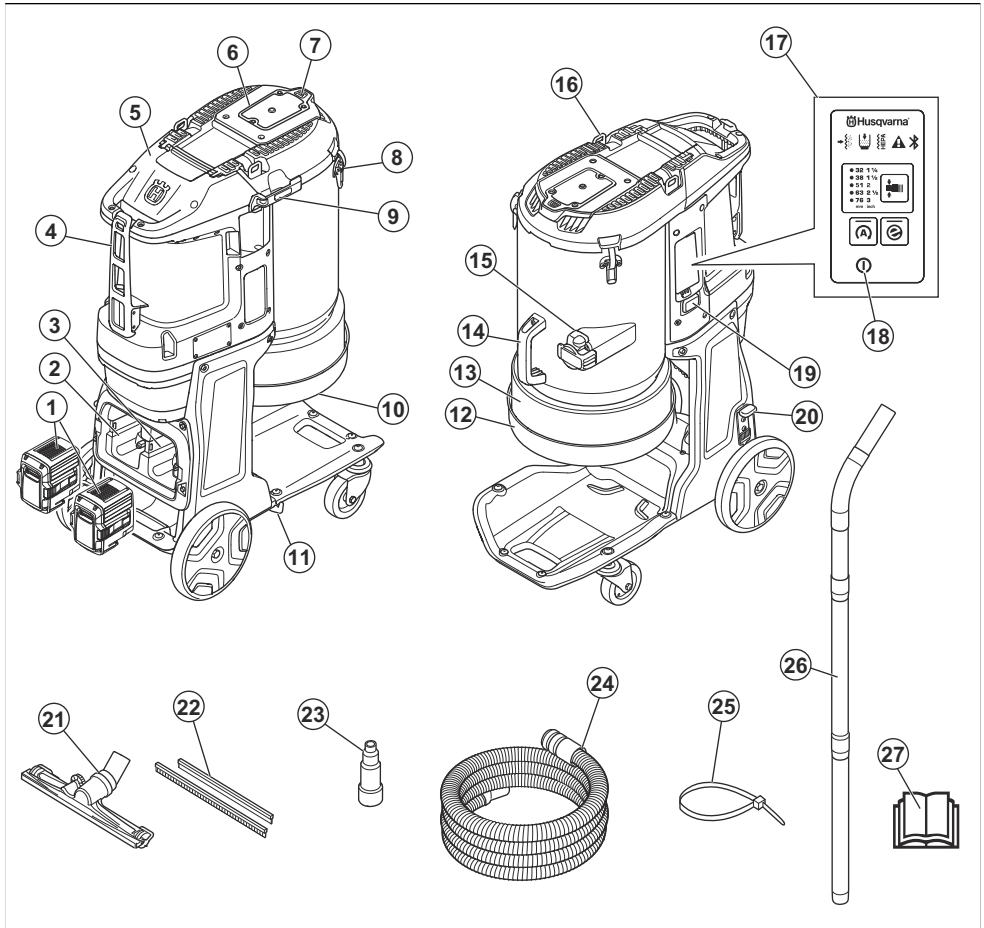
---

Das Gerät ist nur für professionelle Einsätze bestimmt. Das Gerät wird zum Auffangen und Entfernen von trockenem Material von Maschinen und Geräten verwendet. Das Material kann gefährlich und gesundheitsschädlich sein, siehe Staubklasse H in EN 60335-2-69.

Verwenden Sie das Gerät nicht für andere Aufgaben. Verwenden Sie das Gerät nur mit Zubehörteilen, die vom Hersteller genehmigt sind.



## Geräteübersicht



- |  |  |
|--|--|
| 1. Akku (Zubehör)                              | 16. Hebeöse  |
| 2. Aufbewahrung für Ersatzbatterie             | 17. Bedienfeld, siehe <i>Funktionen des Bedienfelds auf Seite 43</i> |
| 3. Akkuhalter                                  | 18. Ein/Aus  |
| 4. Befestigungselement für Staubabsaugschlauch | 19. Betriebsstundenzähler  |
| 5. HEPA Filterdeckel                           | 20. Radbremse  |
| 6. Vorfiltergehäuse                            | 21. Bodendüse  |
| 7. Filterspültaste                             | 22. Gummistreifen  |
| 8. Abdeckungsverriegelung                      | 23. Schlauchdüse (DE 110i H)   |
| 9. Griffrohr-Spannverschluss                   | 24. Staubabsaugschlauch  |
| 10. Gummikegel zur Staubabsaugung              | 25. Kabelbinder  |
| 11. Griffrohr-Halterung                        | 26. Griffrohr  |
| 12. Longopac-Halter                            | 27. Bedienungsanleitung  |
| 13. Longopac                                   |  |
| 14. Griff                                      |  |
| 15. Schlauchverriegelung                       |  |

## Symbole auf dem Gerät



**WARNUNG:** Dieses Gerät kann gefährlich sein und schwere oder tödliche Verletzungen des Bedieners oder anderer Personen verursachen. Gehen Sie vorsichtig vor, und verwenden Sie das Gerät ordnungsgemäß.



Lesen Sie die Bedienungsanleitung sorgfältig durch, und machen Sie sich mit den Anweisungen vertraut, bevor Sie das Gerät verwenden.



Tragen Sie Gehörschutz, Augenschutz und Atemschutz. Siehe *Persönliche Schutzausrüstung auf Seite 40*.



Verwenden Sie keine Metallhaken, Ketten oder sonstige Hebevorrichtungen mit scharfen Kanten, die die Hebeöse beschädigen können. Nur weiche Hebegurte verwenden.



Dieses Gerät ist H-klassifiziert, von einem Drittanbieter gemäß IEC-60335-2-69, EN-60335-2-69, Anhang AA, zertifiziert.

Dieses Gerät enthält gesundheitsschädlichen Staub. Das Entleeren, sowie auch Wartungsarbeiten, einschließlich der Entfernung der Staubsammelbehälter, darf nur von Fachleuten durchgeführt werden, die geeignete Schutzausrüstung tragen. Betreiben Sie den Staubsauger niemals ohne das komplette Filtersystem.



Das Gerät ist kein Hausmüll. Recyceln Sie es an einer offiziellen Recyclingstation für elektrische und elektronische Geräte.



Wenn das Gerät mit Bluetooth®-Drahtlos-Technologie ausgestattet ist, finden Sie das Bluetooth®-Symbol auf dem Etikett mit der Bezeichnung des Geräts. Siehe *Bluetooth® Drahtlostechnologie auf Seite 42*.

---

**Hinweis:** Sonstige Symbole/Aufkleber auf dem Gerät beziehen sich auf spezielle Zertifizierungsanforderungen, die in bestimmten Ländern gelten.

---

## Symbole auf dem Akku und/oder auf dem Ladegerät



Das Gerät und die Verpackung des Geräts dürfen nicht über den Hausmüll entsorgt werden.



Recyceln Sie das Gerät an einer entsprechenden Recyclingstation für elektrische und elektronische Geräte.



Legen Sie den Akku nicht in Wasser.



Halten Sie den Akku von direkter Sonneneinstrahlung, Hitze oder offenem Feuer fern.

## IPX4

Das Gerät ist gegen Spritzwasser geschützt.



Funktionserdung.



Störungsfreier Transformator.



Das Akkuladegerät darf nur in geschlossenen Räumen benutzt und aufbewahrt werden.



Doppelt isoliert.

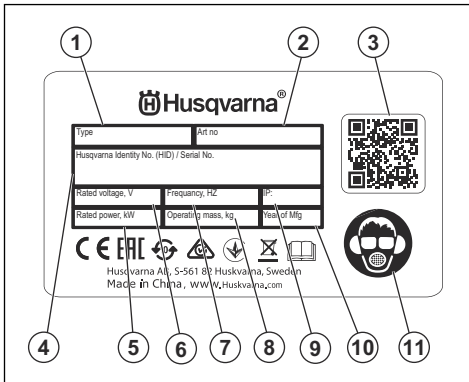
## Integrierte Konnektivität

Die Cloud-Asset-Verwaltungslösung Husqvarna Fleet Services™ bietet dem Flottenmanager eine Übersicht über alle verbundenen Geräte mit integrierten oder nachgerüsteten Sensoren. Die Position des Gateway oder Smartphones kann verwendet werden, um den Standort der verbundenen Geräte zu ermitteln. Die Sensoren zeichnen Daten wie Laufzeit, Wartungsintervalle und andere auf. Holen Sie sich für weitere Informationen zur Cloud-Asset-Verwaltungslösung Husqvarna Fleet Services™ die

App Husqvarna Fleet Services für iOS oder Android unter <https://apps.apple.com/se/app/husqvarna-fleet-services/id1334672726> oder <https://play.google.com/store/apps/details?id=com.husqvarna.hfsmobile&hl=en>. Ihr Husqvarna-Fachhändler steht Ihnen gern für weitere Informationen zur Verfügung.

Manche Modelle dieses Geräts sind über den integrierten Husqvarna Fleet Services™-Sensor verbunden, der die Funktion Bluetooth Low Energy (BLE) unterstützt. Weitere Informationen zur Nutzung finden Sie unter *So verwenden Sie die integrierte Konnektivität mit Fleet auf Seite 42*. Siehe *Integrierte Konnektivität auf Seite 60* für weitere Informationen zum BLE-Technologie-Frequenzspektrum.

## Typenschild



1. Modell
2. Artikelnummer
3. Scanbarer Code
4. Seriennummer
5. Nennleistung
6. Nennspannung
7. Frequenz
8. Gewicht
9. IP-Klasse
10. Produktionsjahr
11. Persönliche Schutzausrüstung

## Produkthaftung

Im Sinne der Produkthaftungsgesetze übernehmen wir keine Haftung für Schäden, die unser Gerät verursacht, wenn...

- das Gerät nicht ordnungsgemäß repariert wird.
- das Gerät mit Teilen repariert wird, die nicht vom Hersteller stammen oder nicht vom Hersteller zugelassen sind.
- ein Zubehörteil mit dem Gerät verwendet wird, das nicht vom Hersteller stammt oder nicht vom Hersteller zugelassen ist.
- das Gerät nicht bei einem zugelassenen Service Center oder von einem zugelassenen Fachmann repariert wird.

## Sicherheit

### Sicherheitsdefinitionen

Warnungen, Vorsichtsmaßnahmen und Hinweise werden verwendet, um auf besonders wichtige Teile der Bedienungsanleitung hinzuweisen.



**WARNUNG:** Wird verwendet, wenn bei Nichtbeachtung der Anweisungen in diesem Handbuch die Gefahr von Verletzung oder Tod des Bedieners oder anderer Personen besteht.



**ACHTUNG:** Wird verwendet, wenn bei Nichtbeachtung der Anweisungen in diesem Handbuch die Gefahr von Schäden am Gerät, an anderen Materialien oder in der Umgebung besteht.

**Hinweis:** Für weitere Informationen, die in bestimmten Situationen nötig sind.

### Allgemeine Sicherheitshinweise



**WARNUNG:** Lesen Sie die folgenden Warnhinweise, bevor Sie das Gerät benutzen.



**WARNUNG:** PACE-Geräte enthalten gefährliche Spannungen im Gehäuse. Zur Vermeidung von Stromschlägen: Versuchen Sie nicht, das Gerät zu öffnen. Bedienen Sie kein defektes Gerät. Schließen Sie einen PACE-Akku nicht an ein beschädigtes Gerät an. Wenn das Gerät während des Betriebs beschädigt wird, entfernen Sie den PACE-Akku aus dem Gerät und wenden sich an Ihr Husqvarna Service Center.

- Dieses Gerät ist ein gefährliches Werkzeug, wenn Sie nicht aufpassen oder es unsachgemäß verwenden. Dieses Gerät kann schwere oder tödliche Verletzungen des Bedieners oder anderer Personen verursachen. Es ist sehr wichtig, dass Sie vor der Anwendung des Geräts den Inhalt

dieser Bedienungsanleitung gelesen und verstanden haben.

- Der Gebrauch des Geräts durch Personen (einschließlich Kindern), die über eingeschränkte körperliche, sensorische oder geistige Fähigkeiten verfügen, ist untersagt, sofern sie nicht von einer für ihre Sicherheit verantwortlichen Person bei der Arbeit überwacht und im Gebrauch des Geräts zuvor geschult wurden.
- Stellen Sie vor der Verwendung sicher, dass Sie über Erfahrung und Kenntnisse über das Gerät verfügen.
- Stellen Sie sicher, dass alle Bedienelemente ausgeschaltet sind, bevor Sie den Akku trennen.
- Halten Sie alle geltenden Gesetze und Vorschriften ein.
- Der Bediener und dessen Arbeitgeber müssen die mit dem Betrieb des Geräts verbundenen Gefahren kennen und vermeiden.
- Untersagen Sie allen Personen die Benutzung des Geräts, bis diese den Inhalt der Betriebsanleitung gelesen und verstanden haben.
- Verwenden Sie das Gerät nicht, ohne vorher dafür geschult worden zu sein. Stellen Sie sicher, dass alle Bediener Schulungen erhalten.
- Lassen Sie nicht zu, dass Kinder das Gerät verwenden.
- Es dürfen nur zugelassene Personen mit dem Gerät arbeiten.
- Der Bediener ist für Unfälle verantwortlich, die anderen Personen zustoßen oder an deren Eigentum entstehen.
- Verwenden Sie das Gerät nicht, wenn Sie müde oder krank sind oder unter Einfluss von Alkohol, Drogen oder Medikamenten stehen.
- Lassen Sie immer Vorsicht walten, und arbeiten Sie mit gesundem Menschenverstand.
- Dieses Gerät erzeugt beim Betrieb ein elektromagnetisches Feld. Dieses Feld kann sich unter bestimmten Bedingungen auf die Funktionsweise aktiver oder passiver medizinischer Implantate auswirken. Um die Gefahr von Situationen, die zu schweren oder tödlichen Verletzungen führen können, zu verringern, sollten Personen mit einem medizinischen Implantat vor der Nutzung dieses Gerätes mit ihrem Arzt und dem Hersteller des Implantats sprechen.
- Halten Sie das Gerät sauber. Stellen Sie sicher, dass Symbole und Aufkleber deutlich lesbar sind.
- Verwenden Sie das Gerät nicht, wenn es defekt ist.
- Nehmen Sie keine Veränderungen an diesem Gerät oder am Akku vor.
- Bedienen Sie das Gerät nicht, wenn die Möglichkeit besteht, dass andere Personen Modifikationen daran durchgeführt haben.
- Benutzen Sie das Gerät nicht ohne die notwendigen Filter.
- Bewahren Sie alle Warn- und Sicherheitshinweise auf.

## Sicherer Umgang mit Akku



**WARNUNG:** Lesen Sie die folgenden Warnhinweise, bevor Sie das Gerät verwenden.



**WARNUNG:** Ein beschädigter Akku kann eine Explosion verursachen und zu Verletzungen führen. Wenn der Akku deformiert oder beschädigt ist, wenden Sie sich an eine zugelassene Husqvarna Servicewerkstatt.

- Verwenden Sie nur die BLi Akkus, die wir für Ihr Gerät empfehlen. Die Akkus verfügen über eine Softwareverschlüsselung.
- Verwenden Sie mit diesem Gerät nur Originalakkus. Es besteht Explosionsgefahr, wenn die Akkus durch falschen Typs ersetzt werden. Ihr Händler steht Ihnen gern für weitere Informationen zur Verfügung.
- Verwenden Sie als Stromversorgung für die zugehörigen Husqvarna Geräte nur wiederaufladbare BLi Akkus. Um Verletzungen zu vermeiden, verwenden Sie den Akku nicht zur Energieversorgung anderer Geräte.
- Es besteht die Gefahr von elektrischen Schlägen. Verbinden Sie die Akkuklemmen nicht mit Schlüsseln, Schrauben oder anderen metallischen Gegenständen. Dadurch kann es zu einem Kurzschluss des Akkus kommen.
- Wenn aus dem Akku Flüssigkeit austritt, ist es wichtig, dass Sie den Kontakt dieser Flüssigkeit mit dem Körper, mit der Bekleidung und mit dem Gerät vermeiden. Sollten Sie dennoch mit der Flüssigkeit in Berührung gekommen sein, reinigen Sie den Bereich mit viel Wasser und suchen einen Arzt auf.
- Verwenden Sie in der Nähe von Akkus stets eine Schutzbrille. Sollte Batteriesäure in die Augen gelangen, reiben Sie nicht, sondern spülen Sie die Augen mindestens 15 Minuten lang mit Wasser. Suchen Sie einen Arzt auf.
- Benutzen Sie keine Akkus, die nicht wiederaufladbar sind.
- Nehmen Sie keine Modifikationen an den Akkus vor.
- Legen Sie keine Gegenstände in die Luftschlitze des Akkus.
- Halten Sie den Akku von direkter Sonneneinstrahlung, Hitze oder offenem Feuer fern. Der Akku kann explodieren und Verbrennungen und/oder chemische Verbrennungen verursachen.
- Halten Sie den Akku von Regen und Feuchtigkeit fern.
- Halten Sie den Akku von Mikrowellen und hohem Druck fern.
- Versuchen Sie nicht, den Akku zu zerlegen oder aufzubrechen.

- Der Akku darf nur verwendet werden, wenn die Umgebungstemperatur zwischen -10 °C / 14°F und 40 °C / 104 °F liegt.
- Reinigen Sie weder den Akku noch das Ladegerät mit Wasser. Siehe *So überprüfen Sie den Akku und das Akkufach auf Seite 50*.
- Verwenden Sie keinen beschädigten Akku.
- Lagern Sie Akkus getrennt von Metallgegenständen wie Nägeln, Schrauben oder Schmuck.
- Halten Sie den Akku fern von Kindern.
- Bringen Sie den Akku ordnungsgemäß an. Wenn der Akku nicht ordnungsgemäß befestigt ist, kann es zu einem Akkukurzschluss kommen.

## Sicherer Umgang mit dem Ladegerät



**WARNUNG:** Lesen Sie alle Warn- und Sicherheitshinweise. Wenn Sie die Warn- und Sicherheitshinweise nicht beachten, kann dies zu Stromschlägen, Brand und/oder schweren Verletzungen führen.

- Gefahr von elektrischen Schlägen oder Kurzschluss, wenn die Sicherheitshinweise nicht beachtet werden.
- Verwenden Sie nur das mitgelieferte Ladegerät für Ihr Gerät. Only use Husqvarna QC or Husqvarna PACE chargers when you charge Husqvarna replacement batteries BLi or PACE.
- Das Ladegerät nicht zerlegen.
- Verwenden Sie kein beschädigtes Ladegerät.
- Heben Sie das Ladegerät nicht am Netzkabel an. Um das Ladegerät von der Steckdose zu trennen, ziehen Sie am Netzstecker. Ziehen Sie nicht am Netzkabel.
- Achten Sie darauf, dass keines der Kabel und Verlängerungskabel mit Wasser, Öl oder scharfen Kanten in Berührung kommt. Achten Sie darauf, dass Kabel nicht zwischen Türen, Zäunen o. Ä. eingeklemmt werden.
- Das Ladegerät darf nicht in der Nähe von entflammaren Materialien oder Materialien, die Korrosion verursachen können, verwendet werden. Vergewissern Sie sich, dass das Ladegerät nicht abgedeckt ist. Bei Rauchentwicklung oder Feuer muss der Stecker des Ladegeräts sofort aus der Steckdose gezogen werden.
- Laden Sie den Akku nur in geschlossenen Räumen an einem Ort mit guter Luftzirkulation und ohne direkte Sonneneinstrahlung. Laden Sie den Akku nicht im Freien. Auf keinen Fall Akkus in feuchter Umgebung laden.
- Verwenden Sie das Ladegerät nur, wenn die Umgebungstemperatur zwischen 5 °C/41 °F und 40 °C/104 °F liegt. Verwenden Sie das Ladegerät in einer trockenen und staubfreien Umgebung mit guter Belüftung.
- Legen Sie keine Gegenstände in die Luftschlitze des Akkuladegeräts.

- Verbinden Sie die Anschlüsse des Ladegeräts niemals mit Metallgegenständen. Dies kann zu einem Kurzschluss im Ladegerät führen.
- Laden Sie keine nicht wieder aufladbaren Batterien im Ladegerät (diese dürfen auch nicht in der Maschine verwendet werden).
- Nutzen Sie zugelassene Steckdosen, die nicht beschädigt sind.

## Sicherheit im Arbeitsbereich

- **Sorgen Sie für einen sauberen und gut ausgeleuchteten Arbeitsbereich.** Durch zugestellte oder dunkle Arbeitsbereiche steigt die Unfallgefahr stark an.
- **Betreiben Sie das Gerät niemals an Orten, an denen Explosionsgefahr besteht, z. B. in der Nähe von leicht entzündlichen Flüssigkeiten, Gasen oder Staubsammlungen.** Bei der Arbeit mit dem Gerät kann es zu Funkenbildung kommen, wodurch sich Stäube oder Dämpfe entzünden können.
- **Sorgen Sie bei der Arbeit mit dem Gerät dafür, dass sich keine Kinder oder unbefugte Personen in der Nähe befinden.** Durch Ablenkungen können Sie die Kontrolle über das Werkzeug verlieren.

## Elektrische Sicherheit



**WARNUNG:** Setzen Sie das Gerät nicht Regen oder Nässe aus. Das Eindringen von Wasser in ein Elektrogerät erhöht das Risiko eines Stromschlags.

- **Der Stecker am Netzkabel des Geräts muss zur Steckdose passen. Verändern Sie auf keinen Fall den Netzstecker. Verwenden Sie keine Adapterstecker mit geerdeten Geräten.** Nicht modifizierte Stecker und Steckdosen reduzieren das Risiko eines Stromschlags.
- **Stecken Sie den Stecker in eine geeignete geerdete Steckdose, die ordnungsgemäß und sicher installiert wurde und den örtlichen Vorschriften entspricht. Wenn Sie sich nicht sicher sind, ob die Erdung/das Massekabel der Steckdose effektiv ist, lassen Sie sie von einem qualifizierten Spezialisten überprüfen.**
- **Vermeiden Sie Körperkontakt mit geerdeten Gegenständen wie Rohrleitungen, Heizungen, Kochern, Herden oder Kühlschränken.** Bei Körperkontakt mit geerdeten Gegenständen besteht ein erhöhtes Stromschlagrisiko.
- **Stellen Sie sicher, dass das Netzkabel nicht in einer Wasserpfütze liegt.**
- **Überprüfen Sie das Netzkabel des Geräts in regelmäßigen Abständen, und lassen Sie es vom Hersteller oder dessen Vertreter austauschen, wenn Schäden festgestellt werden. Überprüfen Sie die Verlängerungskabel regelmäßig, und tauschen Sie sie aus, wenn sie beschädigt sind.**
- **Berühren Sie das Netzkabel oder Verlängerungskabel nicht, wenn sie während der Arbeit beschädigt sind. Trennen Sie das**

**Netzkabel von der Stromversorgung.** Beschädigte Netzkabel oder Verlängerungskabel stellen ein Stromschlagrisiko dar.

- **Verwenden Sie das Anschlusskabel nicht missbräuchlich.** Verwenden Sie das Anschlusskabel niemals zum Tragen oder Heranziehen des Geräts, und ziehen Sie den Stecker nicht am Anschlusskabel aus der Steckdose. Halten Sie das Kabel von Hitze, Öl, scharfen Kanten oder beweglichen Teilen fern. Beschädigte oder verdrehte Anschlusskabel erhöhen das Stromschlagrisiko.
- **Wenn Sie ein Elektrowerkzeug im Freien benutzen, verwenden Sie nur für den Außeneinsatz geeignete Verlängerungskabel.** Ein für den Außeneinsatz geeignetes Verlängerungskabel vermindert das Stromschlagrisiko.
- **Schalten Sie das Gerät bei einer Unterbrechung der Stromversorgung aus, und ziehen Sie den Netzstecker aus der Steckdose.**
- **Betreiben Sie das Gerät niemals, wenn es schmutzig oder nass ist.** Staub (insbesondere Staub von leitenden Materialien) oder Feuchtigkeit auf der Oberfläche des Geräts kann unter ungünstigen Bedingungen zu einem Stromschlag führen. **Schmutzige oder staubige Geräte sollten daher regelmäßig von einem zugelassenen Kundendienst überprüft werden, insbesondere wenn sie häufig für Arbeiten an leitfähigen Materialien eingesetzt werden.**
- **Falls der Einsatz eines Geräts in einer feuchten Umgebung nicht zu vermeiden ist, benutzen Sie eine Stromversorgung mit FI-Schutzschalter (RCD).** Die Verwendung einer Fehlerstrom-Schutzeinrichtung (RCD) verringert das Risiko eines elektrischen Schlags.
- Führen Sie regelmäßige elektrische Sicherheitsprüfungen am Gerät durch. Die korrekte Vorgehensweise ist den örtlichen Vorschriften zu entnehmen.

## **Persönliche Sicherheit**

- **Bleiben Sie aufmerksam, achten Sie auf das, was Sie tun, und setzen Sie gesunden Menschenverstand ein, wenn Sie mit dem Gerät arbeiten.** Verwenden Sie das Gerät nicht, wenn Sie müde sind oder unter dem Einfluss von Drogen, Alkohol oder Medikamenten stehen. Bei der Arbeit mit dem Gerät können bereits kurze Phasen der Unaufmerksamkeit zu schweren Verletzungen führen.
- **Tragen Sie eine persönliche Schutzausrüstung. Tragen Sie stets einen Augenschutz.** Schutzausrüstung wie Atemschutzmaske, rutschsichere Sicherheitsschuhe, Schutzhelm und Gehörschutz senkt bei angemessenem Einsatz das Verletzungsrisiko.
- **Vermeiden Sie ein versehentliches Starten. Achten Sie darauf, dass sich der Schalter in der AUS-Stellung befindet, bevor Sie das Gerät an die Stromversorgung und/oder den Akku anschließen**

**oder es hochheben oder herumtragen.** Durch Herumtragen des Geräts mit dem Finger am Schalter und das Einstecken des Steckers bei betätigtem Schalter erhöht sich das Unfallrisiko.

- **Entfernen Sie sämtliche Einstellschlüssel, bevor Sie das Gerät einschalten.** Ein an einem beweglichen Teil des Geräts angebrachter Schlüssel kann zu Verletzungen führen.
- **Arbeiten Sie nicht über die normale Reichweite hinaus. Achten Sie jederzeit darauf, sicher zu stehen und das Gleichgewicht zu bewahren.** Dadurch haben Sie das Gerät in unerwarteten Situationen besser im Griff.
- **Kleiden Sie sich richtig. Tragen Sie niemals lose sitzende Kleidung oder Schmuck. Halten Sie Haar und Kleidung von beweglichen Teilen fern.** Lose sitzende Kleidung, Schmuck oder langes Haar kann von beweglichen Teilen erfasst werden.
- **Wenn Anschlüsse für Staubabsaug- und Staubsammelvorrichtungen vorhanden sind, sorgen Sie dafür, dass diese richtig angeschlossen und eingesetzt werden.** Die Verwendung von Staubsammelvorrichtungen kann staubbedingte Gefahren verringern.
- **Auch wenn Sie durch häufige Verwendung bestens mit den Werkzeugen vertraut sind, dürfen Sie keinesfalls nachlässig werden und die Sicherheitsgrundsätze ignorieren.** Eine achtlose Handlung kann im Bruchteil einer Sekunde zu schweren Verletzungen führen.

## **Produktverwendung und -pflege**

- **Wenden Sie keine Gewalt an. Beschränken Sie sich für Ihren Einsatz auf das korrekte Gerät.** Das korrekte Gerät wird die Aufgabe besser und sicherer und mit der Leistung ausführen, für die es ausgelegt ist.
- **Benutzen Sie das Gerät nicht, wenn es sich nicht am Schalter ein- und ausschalten lässt.** Jedes Gerät, das nicht mit dem Schalter betätigt werden kann, stellt eine Gefahr dar und muss repariert werden.
- **Trennen Sie das Gerät von der Stromversorgung bzw. entfernen Sie den Akku, bevor Sie Einstellungen vornehmen, Zubehörteile austauschen oder das Gerät verstauen.** Mit diesen Präventivmaßnahmen reduzieren Sie das Risiko eines versehentlichen unkontrollierten Starts des Gerätes.
- **Lagern Sie nicht benutzte Geräte außerhalb der Reichweite von Kindern, und lassen Sie nicht zu, dass Personen das Gerät bedienen, die nicht mit dem Gerät selbst und/oder diesen Anweisungen vertraut sind.** Das Gerät stellt in ungeschulten Händen eine Gefahr dar.
- **Warten Sie das Gerät und das Zubehör. Prüfen Sie auf Fehlausrichtungen, sicheren Halt und Leichtgängigkeit beweglicher Teile, Beschädigungen von Teilen sowie auf jegliche andere Zustände, die sich auf den Betrieb des Elektrowerkzeugs auswirken können. Bei Beschädigungen lassen Sie**

das Gerät reparieren, bevor Sie es benutzen. Viele Unfälle mit Elektrowerkzeugen sind auf schlechte Wartung zurückzuführen.

- **Halten Sie Schneidwerkzeuge scharf und sauber.** Ordnungsgemäß gewartete Schneidwerkzeuge mit scharfen Schneidkanten bleiben seltener hängen und sind einfacher zu bedienen.
- **Benutzen Sie das Gerät, Zubehör, Werkzeugspitzen und Ähnliches in Übereinstimmung mit diesen Anweisungen und auf die für das jeweilige Elektrowerkzeug bestimmungsgemäße Weise und beachten Sie dabei die jeweiligen Arbeitsbedingungen und die Art der auszuführenden Arbeiten.** Der Einsatz des Geräts für bestimmungswidrige Zwecke kann zu Gefahrensituationen führen.
- **Halten Sie die Handgriffe und Griffflächen trocken, sauber und frei von Öl und Fett.** Wenn Handgriffe und Griffflächen rutschig sind, kann das Werkzeug in unerwarteten Situationen nicht sicher bedient und kontrolliert werden.

## Verwendung und Pflege von akkubetriebenen Werkzeugen

- **Eine Aufladung darf nur mit dem vom Hersteller vorgeschriebenen Ladegerät durchgeführt werden.** Durch ein für einen bestimmten Akkutyp geeignetes Ladegerät kann Brandgefahr entstehen, wenn es für einen anderen Akku verwendet wird.
- **Verwenden Sie Geräte nur mit speziell für sie ausgezeichneten Akkus.** Die Verwendung anderer Akkus kann zu Verletzungs- und Brandgefahr führen.
- **Wird der Akku nicht verwendet, halten Sie ihn von Metallgegenständen wie Büroklammer, Münzen, Schlüsseln, Nägeln, Schrauben oder anderen kleineren Metallobjekten fern, da es zu einer Überbrückung der Kontakte kommen könnte.** Durch Kurzschluss der Akkuklemmen kann es zu Verbrennungen oder Bränden kommen.
- **Unter missbräuchlichen Bedingungen kann Flüssigkeit aus dem Akku austreten; vermeiden Sie Kontakt damit. Bei versehentlichem Hautkontakt sofort mit Wasser abspülen. Sollten Ihre Augen damit in Berührung gekommen sein, suchen Sie sofort ärztliche Hilfe auf.** Durch austretende Flüssigkeit aus dem Akku kann es zu Reizungen oder Verbrennungen kommen.
- **Verwenden Sie keinen Akku und kein Werkzeug, der bzw. das defekt ist oder modifiziert wurde.** Beschädigte oder modifizierte Akkus können ein unvorhersehbares Verhalten aufweisen, welches zu Feuer, Explosionen oder Verletzungsgefahren führen kann.
- **Setzen Sie Akku oder Werkzeug niemals Feuer oder sehr hohen Temperatur aus.** Feuer oder Temperaturen über 130 °C/265 F können zu einer Explosion führen.
- **Befolgen Sie die Ladeanweisungen und laden Sie den Akku oder das Werkzeug niemals**

bei Temperaturen außerhalb den in der Anleitung angegebenen Temperaturbereichen auf. Unsachgemäßes Aufladen oder Aufladen bei Temperaturen außerhalb des angegebenen Bereichs kann den Akku beschädigen und die Brandgefahr erhöhen.

## Service

- Lassen Sie nur zugelassene Ersatzteile von einem zugelassenen Service Center warten. Dadurch bleibt das Gerät sicher.
- Akku nicht warten oder öffnen. Die Wartung von Akkus darf nur von einem zugelassenen Service Center durchgeführt werden.
- Weitere Informationen finden Sie unter *Wartungsplan auf Seite 49.*

## Sicherheitshinweise für die Montage



**WARNUNG:** Lesen Sie die folgenden Warnhinweise, bevor Sie das Gerät zusammensetzen.

- Unzulässige Änderungen und/oder Zubehör können zu schweren oder tödlichen Verletzungen des Benutzers oder anderer Personen führen.
- Verwenden Sie Aufsätze nur, wie in diesem Handbuch beschrieben. Verwenden Sie nur vom Hersteller empfohlene Aufsätze.
- Stellen Sie sicher, dass die Montagefläche fest ist, damit das Gerät nicht umkippen kann. Gefahr von Verletzungen und Sachschäden.
- Vorsicht: Bei der Montage des Geräts können die Spannverschlüsse zu Verletzungen führen.

## Sicherheitshinweise für den Betrieb



**WARNUNG:** Lesen Sie die folgenden Warnhinweise, bevor Sie das Gerät benutzen.

- Wenn das Gerät nicht ordnungsgemäß funktioniert, auf den Boden fällt, beschädigt ist, im Freien zurückgelassen wird oder ins Wasser fällt, schalten Sie es aus. Die Reparatur von einer autorisierten Servicewerkstatt durchführen lassen.
- Stellen Sie sicher, dass der Motor und alle Bedienelemente ausgeschaltet sind, bevor Sie den Akku trennen.
- Trennen Sie den Akku vom Gerät, wenn das Gerät nicht verwendet wird, bevor Sie Wartungsarbeiten durchführen oder sich vom Gerät entfernen.
- Bedienen Sie das Gerät nur dann, wenn Sie bei einem Unfall Hilfe bekommen können.
- Machen Sie sich vor der Verwendung mit den Bedienelementen und der korrekten Funktion des Geräts vertraut.
- Bei Temperaturen unter -10 °C darf das Gerät nicht betrieben werden.

- Betreiben Sie das Gerät nicht in explosionsgefährdeten Bereichen oder in Bereichen mit brennbaren Flüssigkeiten oder Materialien.
- Legen Sie keine Gegenstände in Öffnungen.
- Nehmen Sie das Gerät nicht in Betrieb, wenn eine Öffnung blockiert ist. Entfernen Sie Staub, Fusseln, Haare oder andere Materialien, die den Luftstrom verringern können.
- Bedienen Sie das Gerät auf keinen Fall mit nassen Händen.
- Stellen Sie sicher, dass keine Haare, lose Kleidungsstücke oder Körperteile in die Nähe von Öffnungen und beweglichen Teilen gelangen.
- Betreiben Sie das Gerät sehr vorsichtig auf Treppen, um Schäden und Verletzungen zu vermeiden, wenn das Gerät herunterfällt.
- Verriegeln Sie bei Arbeiten auf unebenem Untergrund stets die Transporträder.
- Achten Sie auf Personen, Gegenstände und Situationen, die einen sicheren Betrieb des Geräts verhindern könnten.
- Stellen Sie sicher, dass Sie den Motor im Notfall immer schnell stoppen können.
- Wenn das Gerät nicht ordnungsgemäß funktioniert, stoppen Sie es.
- Betreiben Sie das Gerät nicht ohne Longopac und Schmutzsiebe. Tauschen Sie Longopac Beutel und Schmutzsiebe gemäß den Anweisungen in diesem Handbuch aus.
- Entfernen Sie stets den Akku, bevor Sie sich vom Gerät entfernen.
- Wenn das Gerät ungewöhnliche Vibrationen oder Geräusche aufweist, schalten Sie das Gerät sofort aus, und nehmen Sie den Akku heraus. Das Gerät auf Beschädigungen untersuchen. Ungewöhnliche Vibrationen deuten in der Regel auf eine Beschädigung hin. Reparieren Sie Schäden, oder lassen Sie eine autorisierte Servicewerkstatt die Reparatur durchführen.
- Verwenden Sie immer zugelassenes Zubehör. Ihr Husqvarna-Vertreter steht Ihnen gern für weitere Informationen zur Verfügung.

## Persönliche Schutzausrüstung



**WARNUNG:** Lesen Sie die folgenden Warnhinweise, bevor Sie das Gerät benutzen.

- Verwenden Sie stets die vorgeschriebene persönliche Schutzausrüstung bei der Bedienung des Geräts. Die persönliche Schutzausrüstung kann Verletzungen nicht vollständig vermeiden, vermindert aber den Umfang der Verletzungen und Schäden bei einem Unfall. Lassen Sie sich bei der Auswahl der korrekten persönlichen Schutzausrüstung von Ihrem Händler beraten.
- Überprüfen Sie regelmäßig den Zustand der persönlichen Schutzausrüstung.

- Verwenden Sie einen zugelassenen Schutzhelm.
- Tragen Sie einen zugelassenen Gehörschutz.
- Tragen Sie einen zugelassenen Atemschutz der Klasse P2 oder höher.
- Tragen Sie einen zugelassenen Augenschutz.
- Tragen Sie stets Schutzhandschuhe.
- Tragen Sie Sicherheitsschuhe.

## Sicherheitshinweise für die Wartung



**WARNUNG:** Lesen Sie die folgenden Warnhinweise, bevor Sie das Gerät warten.

- Entfernen Sie vor Wartungs-, Kontroll- oder Montagearbeiten den Akku.
- Der Bediener darf nur die Wartungs- und Servicearbeiten ausführen, die in dieser Bedienungsanleitung beschrieben sind. Für darüber hinausgehende Wartungs- und Servicearbeiten wenden Sie sich bitte an Ihren Servicehändler.
- Reinigen Sie weder den Akku noch das Ladegerät mit Wasser. Starke Reiniger können den Kunststoff beschädigen.
- Wenn Wartungsarbeiten nicht durchgeführt werden, verringert sich die Lebensdauer des Geräts und die Unfallgefahr steigt.
- Für alle Service- und Reparaturarbeiten, insbesondere an den Sicherheitsvorrichtungen des Geräts, ist eine spezielle Schulung erforderlich. Wenn nach Durchführung der Wartungsarbeiten nicht alle in dieser Bedienungsanleitung beschriebenen Prüfungen mit positivem Ergebnis ausfallen, wenden Sie sich an Ihren Servicehändler. Wir garantieren Ihnen, dass für Ihr Gerät professionelle Service- und Reparaturdienste verfügbar sind.
- Nur Original-Ersatzteile verwenden.

## Sicherheitsvorrichtungen am Gerät



**WARNUNG:** Lesen Sie die folgenden Warnhinweise, bevor Sie das Gerät benutzen.

- Benutzen Sie nie ein Gerät mit defekter Sicherheitsausrüstung! Wenn Ihr Gerät diesen Anforderungen nicht entspricht, muss eine Servicewerkstatt aufgesucht werden.
- Verwenden Sie das Gerät nicht, wenn Schutzbleche, Schutzabdeckungen, Sicherheitsschalter oder anderen Schutzvorrichtungen sind nicht angebracht oder defekt sind.



## Arbeiten Sie stets mit gesundem Menschenverstand!



**WARNUNG:** An der Bauweise des Geräts dürfen ohne vorherige Genehmigung des Herstellers keine Veränderungen vorgenommen werden. Verwenden Sie stets Originalersatzteile. Unzulässige Änderungen und/oder Zubehör können zu schweren oder tödlichen Verletzungen des Benutzers oder anderer Personen führen.



**WARNUNG:** Die Verwendung von Fräsmaschinen, Schleifmaschinen und Bohrern, die Material abschleifen oder umformen, kann Staub und Ausdünstungen verursachen, die gefährliche Chemikalien enthalten können. Überprüfen Sie die Beschaffenheit des Materials, das Sie bearbeiten wollen, und verwenden Sie einen geeigneten Atemschutz.

Es ist nicht möglich, hier alle denkbaren Situationen zu beschreiben, die beim Gebrauch dieses Geräts

auftreten könnten. Gehen Sie stets vorsichtig vor und arbeiten Sie mit gesundem Menschenverstand. Vermeiden Sie Situationen, denen Sie sich nicht gewachsen fühlen. Wenn Sie sich nach dem Lesen dieser Anweisungen immer noch unsicher fühlen, wie Sie vorgehen sollen, bitten Sie einen Fachmann um Rat, bevor Sie fortfahren.

Zögern Sie nicht, Ihren Husqvarna-Fachhändler anzusprechen, wenn Sie Fragen bezüglich des Gebrauchs des Geräts haben. Wir sind gerne für Sie da und helfen Ihnen beim optimalen und sicheren Einsatz Ihres Geräts.

Ihr Husqvarna-Fachhändler sollte das Gerät regelmäßig überprüfen und notwendige Einstellungen und Reparaturen vornehmen.

Husqvarna AB arbeitet ständig an der Weiterentwicklung der Geräte. Husqvarna behält sich daher das Recht vor, ohne vorherige Ankündigung und ohne weitere Verpflichtungen Konstruktionsänderungen einzuführen.

Alle Informationen und Daten dieser Bedienungsanleitung gelten zum Zeitpunkt der Drucklegung.

## Betrieb

### Bevor Sie das Gerät bedienen

**Hinweis:** Die Betriebsbedingungen sind 800 m/2625 ft. maximale Höhe, eine Temperatur zwischen -10 °C/14 °F und +40 °C/104 °F und eine Luftfeuchtigkeit von 85 %.

**Hinweis:** Lesen Sie die Bedienungsanleitung für die beigefügte Ausrüstung sorgfältig durch. Wenn die angegebenen Anforderungen oder Einstellungen für den Staubabsauger gegeben sind, beachten Sie diese.

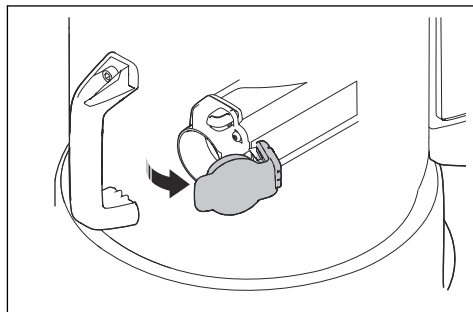
1. Lesen Sie die Betriebsanleitung sorgfältig durch, und stellen Sie sicher, dass Sie die Anweisungen verstehen.
2. Führen Sie die tägliche Wartung durch. Siehe *Wartungsplan auf Seite 49*.
3. Stellen Sie sicher, dass der Arbeitsbereich sauber und hell ist.
4. Tragen Sie eine persönliche Schutzausrüstung. Siehe *Persönliche Schutzausrüstung auf Seite 40*.
5. Stellen Sie sicher, dass das Gerät korrekt installiert ist.
6. Stellen Sie sicher, dass der Akku vollständig geladen ist.

### Anbringen des Staubabsaugerschlauchs

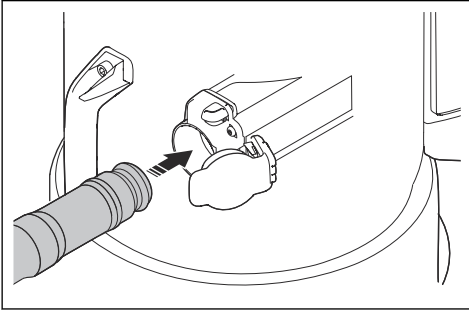


**WARNUNG:** Verwenden Sie einen antistatischen Schlauch, um antistatische Wirkungen zu vermeiden.

1. Öffnen Sie den Schlauchverbinder.



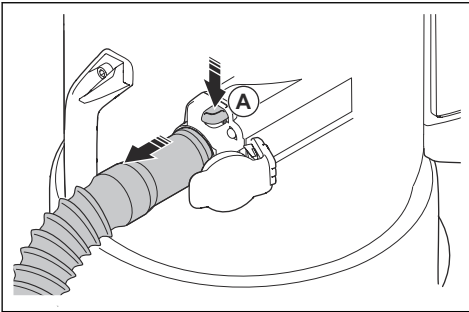
2. Setzen Sie den Schlauchadapter in den Schlauchverbinder ein.



3. Drücken Sie den Schlauchadapter, bis er hörbar einrastet, um ihn in die richtige Position zu bringen.

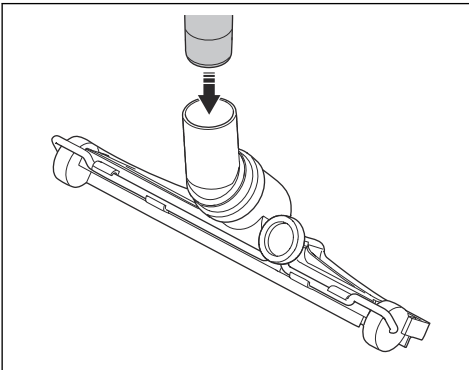
### Entfernen des Staubabsaugschlauchs

- Drücken Sie den Schlauchsperrknopf (A), und ziehen Sie am Staubabsaugschlauch.

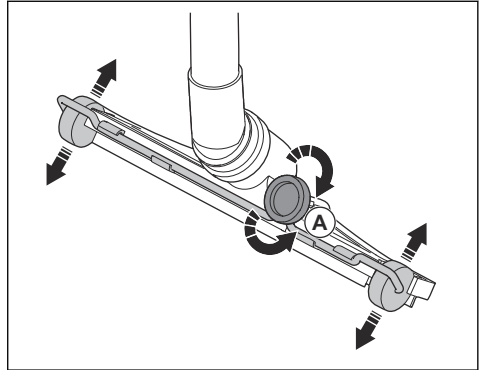


### Anbringen und Einstellen der Bodendüse

1. Setzen Sie das Ende des Handgriffs vollständig in den Schaft der Bodendüse ein.



2. Drehen Sie den Knopf (A) an der Rückseite der Bodendüse, um die Räder der Bodendüse einzustellen. Verschiedene Oberflächen und verschiedene Arten von Staub und Materialien machen es erforderlich, die Räder einzustellen, um die beste Leistung zu erzielen.



### Bluetooth® Drahtlostechnologie

Geräte mit eingebauter Bluetooth® Drahtlostechnologie können mit mobilen Geräten verbunden werden und von der Verbindung mit Husqvarna können zusätzliche Funktionen aktiviert werden.

Das Symbol für Bluetooth® Drahtlostechnologie leuchtet auf, wenn Ihr Mobiltelefon mit dem Gerät verbunden ist.



### So verwenden Sie die integrierte Konnektivität mit Fleet

**Hinweis:** Dieser Abschnitt gilt nur für Geräte mit integrierter Konnektivität.

**Hinweis:** Die Funkverbindung über die Bluetooth®-Funktion wird aktiviert, wenn das Gerät zum ersten Mal an eine Netzsteckdose angeschlossen wird, und bleibt danach aktiv.

1. Laden Sie Husqvarna Fleet Services als Husqvarna Fleet Services App für iOS oder Android herunter.
2. Besuchen Sie die Webseite von Husqvarna Fleet Services unter <https://fleetservices.husqvarna.com> für weitere Informationen.

### So schließen Sie das Akkuladegerät an

1. Schließen Sie das Akkuladegerät an eine Quelle mit der auf dem Typenschild angegebenen Spannung und Frequenz an.

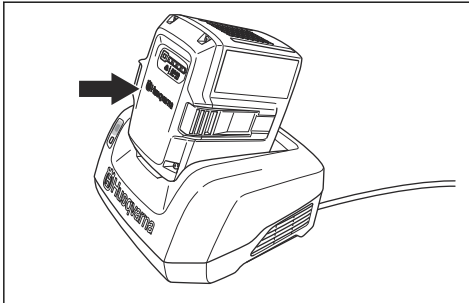
2. Stecken Sie den Netzstecker in eine geerdete Steckdose. Die LED am Ladegerät blinkt einmal grün.

**Hinweis:** Der Akku wird nicht aufgeladen, wenn die Akkutemperatur über 50 °C beträgt. In diesem Fall wird der Akku durch das Ladegerät abgekühlt, bevor er weiter aufgeladen wird.

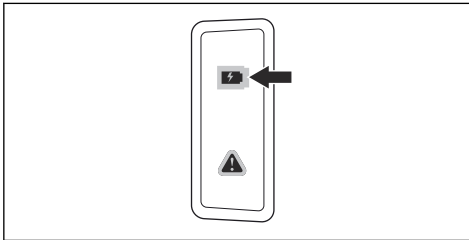
## So schließen Sie den Akku an das Akkuladegerät an

**Hinweis:** Laden Sie den Akku, wenn Sie ihn zum ersten Mal verwenden. Ein neuer Akku ist nur zu 30 % geladen.

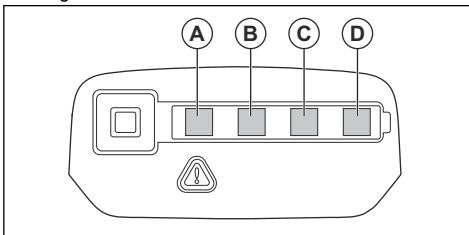
1. Stellen Sie sicher, dass der Akku trocken ist.
2. Den Akku in das Ladegerät einlegen.



3. Stellen Sie sicher, dass die grüne Ladeanzeige auf dem Ladegerät aufleuchtet. Das bedeutet, dass der Akku richtig mit dem Ladegerät verbunden ist.



4. Wenn alle LEDs am Akku leuchten, ist er vollständig aufgeladen.



5. Um das Ladegerät von der Steckdose zu trennen, ziehen Sie den Netzstecker. Ziehen Sie nicht am Kabel.
6. Den Akku aus dem Ladegerät entnehmen.

**Hinweis:** Weitere Informationen entnehmen Sie bitte den Bedienungsanleitungen für den Akku und das Ladegerät.

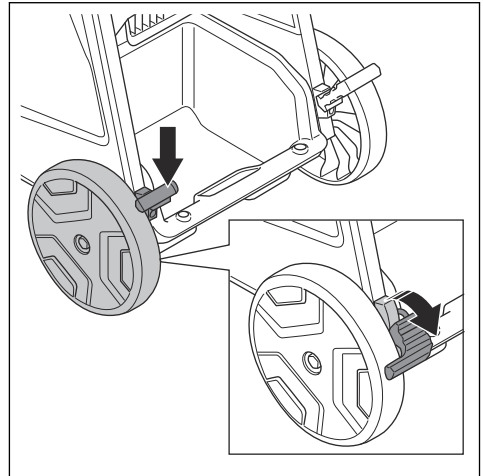
## Ver- und Entriegeln der Transporträder

Für den Betrieb auf einer geeigneten Oberfläche müssen die Transporträder verriegelt werden.



**WARNUNG:** Räder und Lager müssen sauber und staubfrei sein, um sicheren Betrieb zu gewährleisten. Siehe *Wartungsplan auf Seite 49*.

1. Halten Sie das Gerät in einer festen und sicheren Position.
2. Drücken Sie die Radbremse auf beiden Seiten nach unten, um die Räder zu verriegeln.



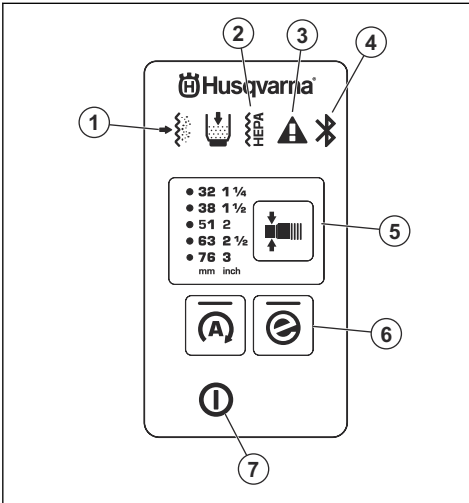
**Hinweis:** DE110i H hat nur 1 Radbremse.

3. Ziehen Sie die Radbremsen nach oben, um die Räder zu entriegeln.

## Funktionen des Bedienfelds

Das Bedienfeld steuert und überwacht wichtige Funktionen und Einstellungen des Geräts. Siehe

Warnungen auf dem Bedienfeld auf Seite 55, um Lösungen für die Warnungen zu finden.



1. Der Vorfilter ist verstopft. Siehe *So entfernen Sie während des Betriebs Staubpartikel aus dem Vorfilter auf Seite 46*.
2. Der HEPA Filter ist verstopft, beschädigt oder fehlt. Siehe *Warnungen auf dem Bedienfeld auf Seite 55*.
3. Warnung. Siehe *Warnungen auf dem Bedienfeld auf Seite 55*.
4. Bluetooth® Anschluss. Siehe *So verwenden Sie die integrierte Konnektivität mit Fleet auf Seite 42*.
5. Durchmesseränderungsfunktion für Schlauch, siehe *Auswahl des Schlauchdüsendurchmessers auf Seite 44*
6. e-Flow-Taste, siehe *e-Flow-Funktion auf Seite 44*
7. On/Off-Taste

### e-Flow-Funktion

Das Gerät verfügt über eine e-Flow-Funktion. Diese Funktion passt den Luftstrom automatisch an die Arbeitslast an, um eine optimale Leistung zu gewährleisten. Das Gerät startet immer mit den zuletzt verwendeten Einstellungen.

Weitere Informationen zum Aktivieren oder Deaktivieren der Funktion finden Sie unter *Funktionen des Bedienfelds auf Seite 43*.

### Luftstromwarnsystem

Der Luftstrom im Saugschlauch muss mehr als 20 m/s (66 ft/s) betragen.

Informationen zum minimalen Luftstrom mit dem ausgewählten Schlauchdurchmesser finden Sie in der Tabelle.

| DE 110i H |            | DE 120 H PACE |            |
|-----------|------------|---------------|------------|
| max. Ø    | V min      | max. Ø        | V min      |
| Zoll (mm) | CFM (m³/h) | Zoll (mm)     | CFM (m³/h) |
| 1 (27)    | 24 (41)    | 1 ½ (38)      | 48 (82)    |
| 1 ¼ (32)  | 34 (58)    | 1 ⅝ (42)      | 59 (100)   |
| 1 ½ (38)  | 48 (82)    | 2 (51)        | 87 (147)   |
| 1 ⅝ (42)  | 59 (100)   | 2 1/2 (63)    | 132 (224)  |
| 2 (51)    | 87 (147)   | 3 (76)        | 192 (327)  |

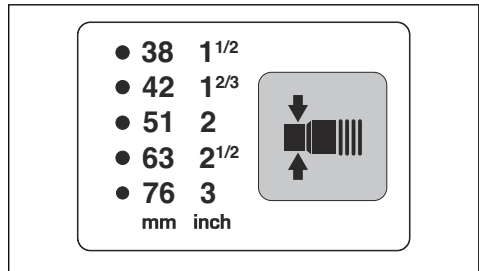
**Hinweis:** Wenn der Luftstrom weniger als 20 m/s (66 ft/s) beträgt, ertönt der akustische Alarm und das Warnsymbol leuchtet auf. Siehe *Warnungen auf dem Bedienfeld auf Seite 55*.

### Auswahl des Schlauchdüsendurchmessers

**Hinweis:** Wenn Sie einen falschen Schlauchdurchmesser auswählen, leuchtet das Luftstromwarnsystem auf.

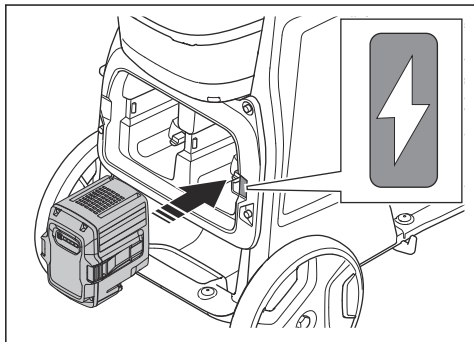
Wenn Sie das Gerät starten, wird automatisch der zuletzt ausgewählte Schlauchdurchmesser ausgewählt.

- Drücken Sie die Taste, um den richtigen Schlauchdurchmesser auszuwählen. Die grüne LED zeigt an, welchen Durchmesser Sie ausgewählt haben.



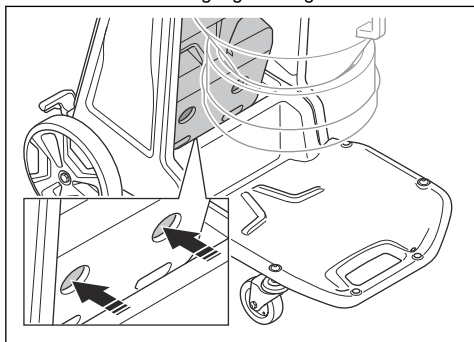
### So installieren und entfernen Sie den Akku

1. Legen Sie den Akku in das Akkufach ein. Das Stromsymbol zeigt an, welches Akkufach unter Strom steht.

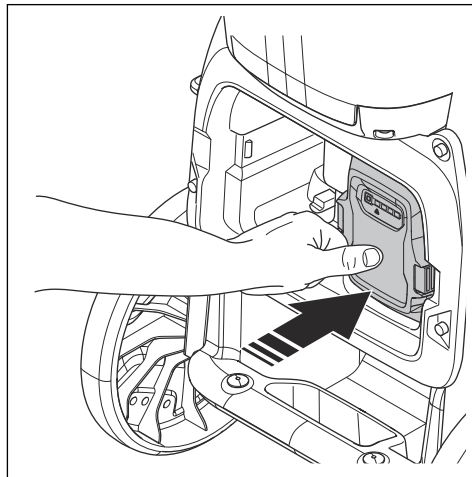


**ACHTUNG:** Stellen Sie sicher, dass der Akku korrekt im Akkufach sitzt. Wenn sich der Akku nicht leicht in das Akkufach bewegt, ist das die falsche Position.

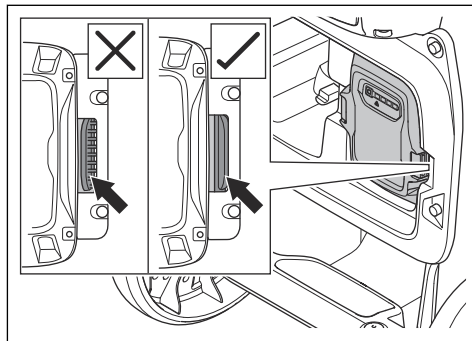
2. Entfernen Sie einen festgeklemmten Akku, indem Sie ihn durch die Zugangsöffnungen drücken.



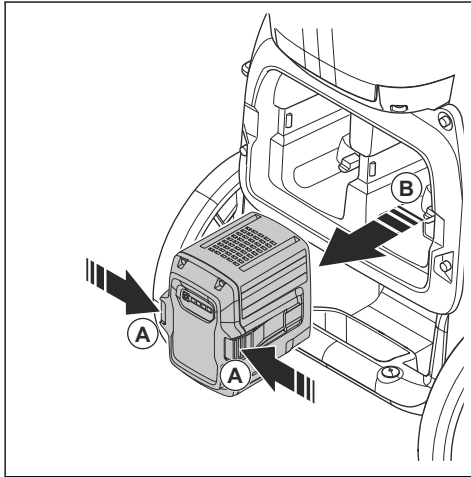
3. Drücken Sie auf den unteren Teil des Akkus, bis Sie ein Klicken hören.



4. Prüfen Sie die Akkurieverriegelungsanzeige auf korrekte Installation des Akkus. Dies gilt nur für DE 120 H PACE.



- Drücken Sie die Akkuentriegelungstasten (A) und entfernen Sie den Akku (B) aus dem Akkufach, um einen versehentlichen Start zu vermeiden.



- Nehmen Sie den Akku aus dem Akkualter heraus. Siehe *So installieren und entfernen Sie den Akku auf Seite 44*.

## Betriebsstundenzähler

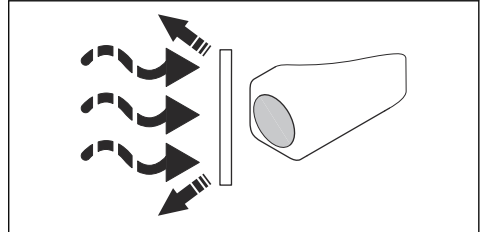
Der Betriebsstundenzähler zeigt die Gesamtbetriebszeit des Geräts in Stunden an.

## So entfernen Sie während des Betriebs Staubpartikel aus dem Vorfilter

Das Filterspülverfahren reinigt den Vorfilter von unerwünschten Materialien. Führen Sie das Verfahren in folgenden Situationen aus:

- Vor einem Arbeitsstopp oder am Ende jedes Arbeitstages. Wenn das Gerät eine Weile nicht ausgeschaltet ist, kann der Staub länger herunterfallen. Dadurch wird das Filterspülverfahren leistungsfähiger.
- Wenn die Saugleistung nicht ausreicht.
- Vor der Installation eines neuen Longopac-Beutels.
- Wenn der Alarm „Vorfilter verstopft“ angezeigt wird.

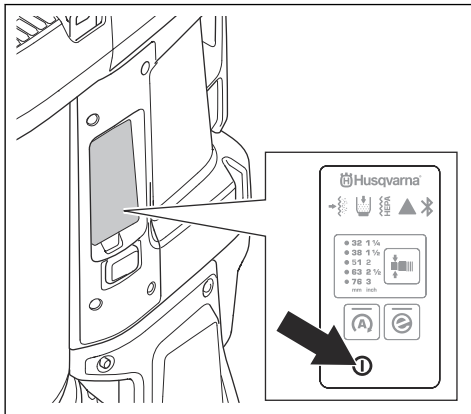
- Halten Sie das Gerät an, und lassen Sie den Staub in den Longopac-Beutel fallen.
- Das Gerät starten. Siehe *Starten und stoppen auf Seite 46*.
- Schließen Sie den Luftstrom, der durch den Lufteinlass strömt, mit der Lufteinlassschraube oder dem Einlassventil, um Unterdruck zu erzeugen.



## Starten und stoppen

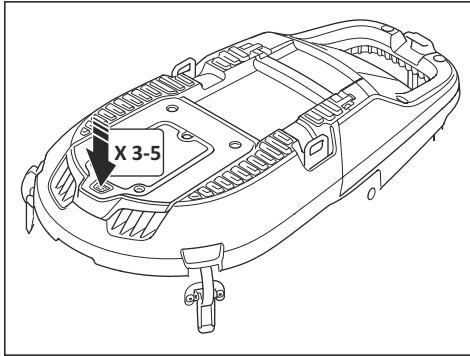
**Hinweis:** Die Absaugung ist direkt nach dem Start nicht auf volle Leistung eingestellt. Die vollständige Leistung wird nach 5 Sekunden erreicht.

- Setzen Sie die Batterie ein. Siehe *So installieren und entfernen Sie den Akku auf Seite 44*.
- Drücken Sie die On/Off-Taste, um das Gerät zu starten.



- Wählen Sie den richtigen Schlauchdurchmesser aus. Siehe *Auswahl des Schlauchdüsendurchmessers auf Seite 44*.
- Um das Gerät zu stoppen, drücken und halten Sie die On/Off-Taste, bis die grüne LED erlischt.

4. Warten Sie 5 Sekunden, bis Unterdruck erzeugt wurde, und drücken Sie dann die Filterspültaste. Führen Sie diesen Schritt 3 bis 5 Mal aus. Es ist wichtig, dass das Gerät zwischen jedem Tastendruck Unterdruck erzeugt.



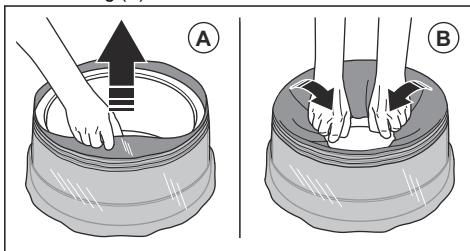
Wenn die Saugleistung nach diesem Verfahren nicht ausreicht, muss der Vorfilter mit Wasser gereinigt werden. Siehe *Reinigen des Vorfilters mit Wasser auf Seite 51*.

## Installieren einer neuen Longopac-Beutel-Kassette

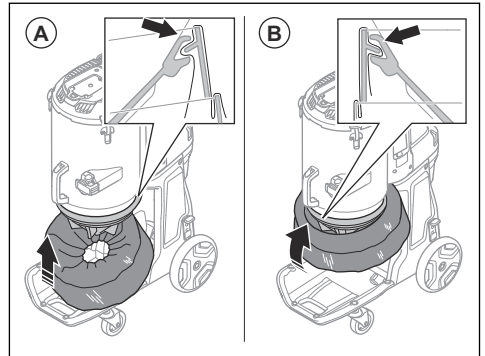


**ACHTUNG:** Reinigen Sie den Vorfilter, bevor Sie eine neue Longopac-Kassette einbauen. Siehe *Reinigen des Vorfilters mit Wasser auf Seite 51*.

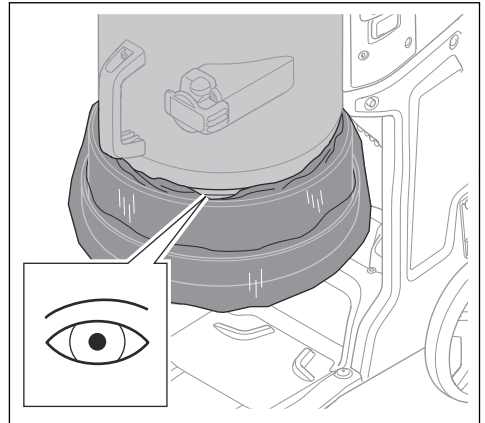
1. Setzen Sie die Longopac-Kassette um die Innenkante des Longopac-Halters ein.
2. Entfernen Sie die 4 Gurte, nachdem Sie Longopac im Halter platziert haben.
3. Ziehen Sie die innere Schicht der Longopac-Kassette nach oben (A) und falten Sie sie in die Halterung (B).



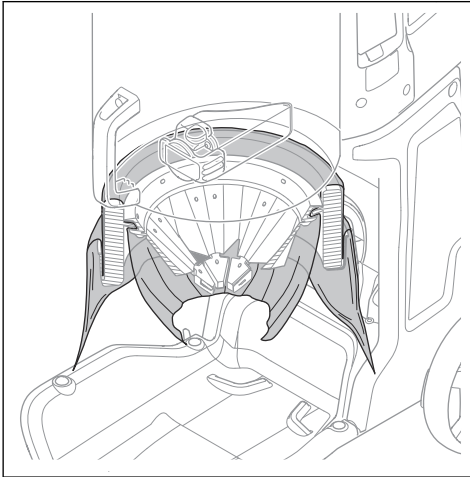
4. Befestigen Sie den Longopac-Halter am hinteren Teil des Behälters (A). Befestigen Sie dann den Longopac-Halter an den Seiten und an der Vorderseite des Behälters (B). Drücken Sie den Longopac-Halter nach oben, bis ein Klicken zu hören ist.



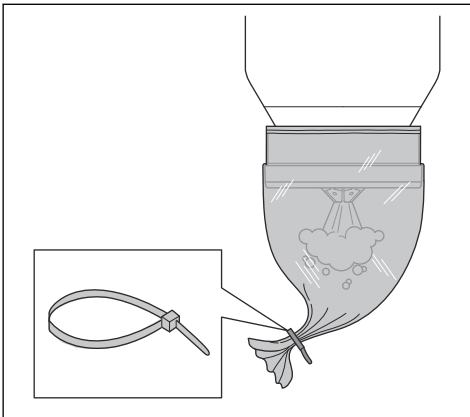
5. Stellen Sie sicher, dass Longopac dicht ist.



6. Ziehen Sie die äußere Schicht der Longopac-Kassette nach unten.



7. Verschließen Sie das untere Ende des Longopac mit einem Kabelbinder.

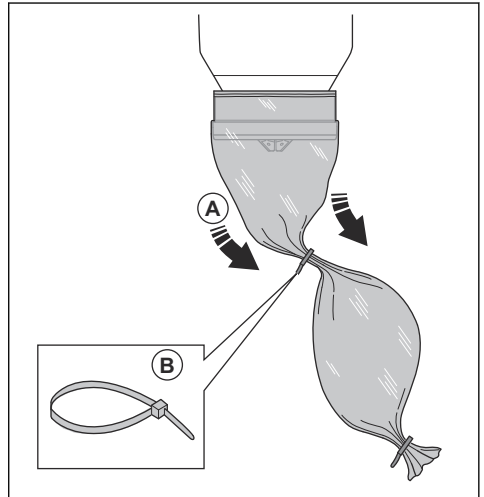


## Entsorgen eines vollen Longopac-Beutels und Vorbereiten eines neuen Longopac-Beutels

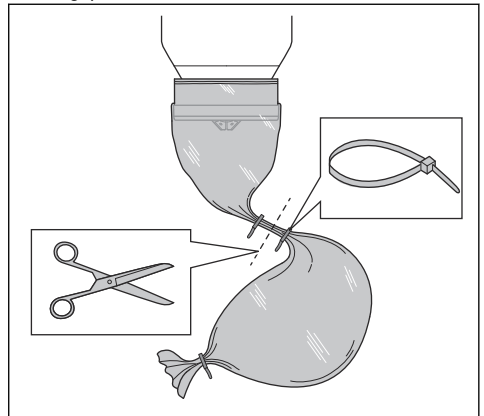


**WARNUNG:** Heben Sie den Longopac-Beutel vorsichtig an, ein voller Longopac-Beutel kann schwer sein. Stellen Sie sicher, dass die Kabelbinder ordnungsgemäß geschlossen sind, bevor Sie den Longopac-Beutel anheben.

1. Ziehen Sie den Longopac-Beutel (A) heraus und bringen Sie einen Kabelbinder (B) an, um den neuen Longopac-Beutel zu schließen.



2. Schütteln Sie den Staub im vollen Longopac-Beutel nach unten.
3. Befestigen Sie einen Kabelbinder 10 cm (3,9 Zoll) unter dem ersten Kabelbinder, um den vollen Longopac-Beutel zu schließen. Schneiden Sie den vollen Longopac-Beutel zwischen den Kabelbindern ab.



4. Wenn der verbleibende Teil der Longopac-Beutel-Kassette zu klein ist, um einen neuen Longopac-Beutel vorzubereiten, installieren Sie eine neue Longopac-Beutel-Kassette. Siehe *Installieren einer neuen Longopac-Beutel-Kassette auf Seite 47*.
5. Beachten Sie die örtlichen Vorschriften zur Entsorgung des vollen Longopac-Beutels.



## Nach Abschluss der Arbeiten

1. Führen Sie das Filterspülverfahren durch. Siehe *So entfernen Sie während des Betriebs Staubpartikel aus dem Vorfilter auf Seite 46*.
2. Stoppen Sie das Gerät, siehe *Starten und stoppen auf Seite 46*.
3. Entsorgen Sie den Longopac-Beutel. Siehe *Entsorgen eines vollen Longopac-Beutels und*

*Vorbereiten eines neuen Longopac-Beutels auf Seite 48.*

4. Das Gerät reinigen. Siehe *So reinigen Sie das Gerät auf Seite 51*.
5. Bereiten Sie das Gerät für den Transport vor. Siehe *So bewegen Sie das Gerät über lange Entfernungen auf Seite 58*.

## Wartung

### Einleitung



**WARNUNG:** Lesen Sie vor Wartungsarbeiten am Gerät das Kapitel über Sicherheit, und machen Sie sich damit vertraut.



**WARNUNG:** Entfernen Sie den Akku, bevor Sie Wartungsarbeiten am Gerät durchführen.



**WARNUNG:** Das Nichtbeachten der Wartungsanweisungen kann die Haltbarkeit beeinträchtigen und die Unfallgefahr erhöhen. Alle Wartungs- und/

oder Reparaturarbeiten müssen ebenfalls durch einen Fachbetrieb durchgeführt werden. Wenden Sie sich für weitere Informationen an Ihren Servicehändler.



**WARNUNG:** Stellen Sie sicher, dass Sie vor und während der Wartung alle örtlichen Vorschriften einhalten, um gefährlichen Staub ordnungsgemäß zu entsorgen.

### Wartungsplan

Die Wartungsintervalle werden anhand der täglichen Nutzung des Geräts berechnet. Die Intervalle ändern sich, wenn das Gerät nicht täglich verwendet wird.

| Wartung  | Vor jedem Gebrauch | Täglich | Wöchentlich | Wenn die Saugleistung niedrig ist | Alle 12 Monate oder 600 h | Alle 24 Monate oder 2000 h |
|--|--------------------|---------|-------------|-----------------------------------|---------------------------|----------------------------|
| Das Filterspülverfahren durchführen. Siehe <i>So entfernen Sie während des Betriebs Staubpartikel aus dem Vorfilter auf Seite 46</i> .         | X                  |         |             |                                   |                           |                            |
| Den Gummikegel zur Staubabsaugung auf Anzeichen von Verschleiß oder Beschädigung prüfen.   | X                  |         |             |                                   |                           |                            |
| Vor dem Anschließen des Geräts auf Anzeichen von Verschleiß, Beschädigung oder losen Anschlüssen der Bedienelemente achten.                    | X                  |         |             |                                   |                           |                            |
| Den Schlauch und die Schlauchverbinder prüfen.   | X                  |         |             |                                   |                           |                            |
| Auf Anzeichen von Verschleiß oder Beschädigung der Kunststoffteile achten.   | X                  |         |             |                                   |                           |                            |
| Die Hubösen prüfen.  | X                  |         |             |                                   |                           |                            |
| Sicherstellen, dass Longopac korrekt und richtig angebracht ist. Siehe <i>Installieren einer neuen Longopac-Beutel-Kassette auf Seite 47</i> . |                    | X       |             |                                   |                           |                            |

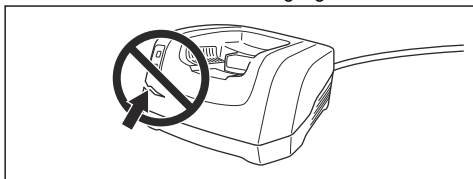
| Wartung   | Vor jedem Gebrauch | Täglich | Wöchentlich | Wenn die Saugleistung niedrig ist | Alle 12 Monate oder 600 h | Alle 24 Monate oder 2000 h |
|---|--------------------|---------|-------------|-----------------------------------|---------------------------|----------------------------|
| Die Filterspülfunktion kontrollieren.   |                    | X       |             |                                   |                           |                            |
| Die Räder prüfen. Das Gerät auf Beschädigungen und fehlerhafte Anschlüsse prüfen.   |                    |         | X           |                                   |                           |                            |
| Die Filterdichtungen prüfen   |                    |         | X           |                                   |                           |                            |
| Das Filterspülverfahren durchführen. Den Vorfilter mit Wasser reinigen, wenn die Saugleistung weiterhin nicht ausreicht. Siehe <i>Reinigen des Vorfilters mit Wasser auf Seite 51</i> . |                    |         |             | X                                 |                           |                            |
| Den gereinigten Vorfilter ersetzen, wenn die Saugleistung weiterhin nicht ausreicht. Siehe <i>Austausch des Vorfilters auf Seite 52</i> .   |                    |         |             | X                                 |                           | X                          |
| Den HEPA-Filter ersetzen.   |                    |         |             | X                                 | X                         |                            |
| Den Gummikegel zur Staubabsaugung ersetzen.   |                    |         |             |                                   |                           | X                          |
| Die Gummiteile für die Filterreinigung ersetzen.  |                    |         |             |                                   |                           | X                          |

## So kontrollieren Sie die Bedientafel

1. Halten Sie die ON/OFF-Taste gedrückt, bis die grüne LED aufleuchtet. Siehe *Funktionen des Bedienfelds auf Seite 43*.
2. Drücken und halten Sie die ON/OFF-Taste, bis die grüne LED erlischt.

## So kontrollieren Sie das Akkuladegerät

1. Stellen Sie sicher, dass das Akkuladegerät und das Netzkabel nicht beschädigt sind. Suchen Sie nach Rissen und anderen Beschädigungen.

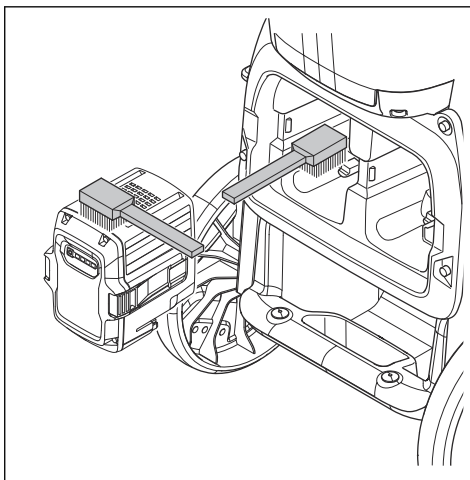


## So überprüfen Sie den Akku und das Akkufach



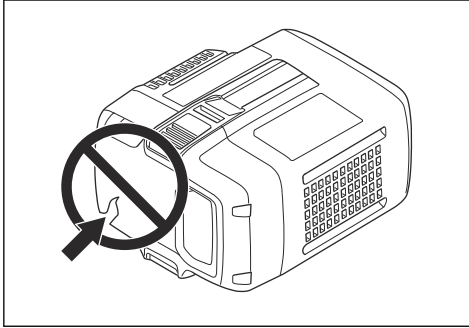
**ACHTUNG:** Reinigen Sie weder den Akku noch das Ladegerät mit Wasser.

1. Reinigen Sie den Akku und das Akkufach des Geräts mit einer weichen Bürste.



2. Reinigen Sie die Kühlrippen und Akkuverbindungen.

3. Stellen Sie sicher, dass der Akku nicht beschädigt oder verformt ist und dass keine sonstigen Schäden wie zum Beispiel Risse vorhanden sind.



## So reinigen Sie das Gerät

Betrieb kann zu Verunreinigungen an allen Teilen des Geräts und allen verwendeten Maschinen führen. Daher müssen alle Teile des Geräts und alle verwendeten Maschinen sorgfältig und vollständig gereinigt werden.



**WARNUNG:** Trennen Sie das Gerät von der Stromversorgung.



**WARNUNG:** Reinigen Sie das Gerät, bevor es aus dem Arbeitsbereich bewegt wird. Staub, der sich auf dem Gerät befindet, kann in die Luft gelangen und eine Gesundheitsgefahr darstellen.

- Tragen Sie eine persönliche Schutzausrüstung. Siehe *Persönliche Schutzausrüstung auf Seite 40*.
- Reinigen Sie das Gerät nicht mit einem Hochdruckreiniger oder Druckluft.
- Reinigen Sie die äußere Oberfläche mit einem feuchten Tuch.
- Verwenden Sie für die elektrischen Komponenten kein Wasser.
- Reinigen Sie die Schmutzsiebe wie in *Reinigen des Vorfilters mit Wasser auf Seite 51* und *Austausch des HEPA-Filters auf Seite 52* angegeben.
- Entsorgen Sie die entsorgten Teile nach der Wartung in Plastiktüten. Die korrekte Vorgehensweise ist den örtlichen Vorschriften zu entnehmen.
- Wenn Sie das Gerät mit Wasser reinigen, entfernen Sie den Vorfilter und den Longopac vor der Reinigung. Stellen Sie außerdem sicher, dass kein Wasser in das HEPA-Schmutzsieb gelangt.

## Reinigen des Vorfilters mit Wasser



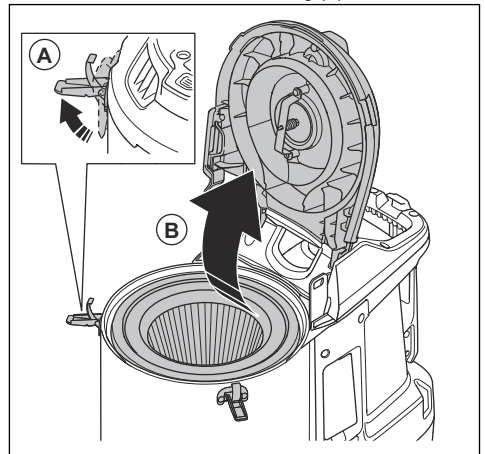
**ACHTUNG:** Reinigen Sie den Vorfilter nicht mit einem Hochdruckreiniger oder Druckluft. Reinigen Sie den Vorfilter nicht mit Gewalt.



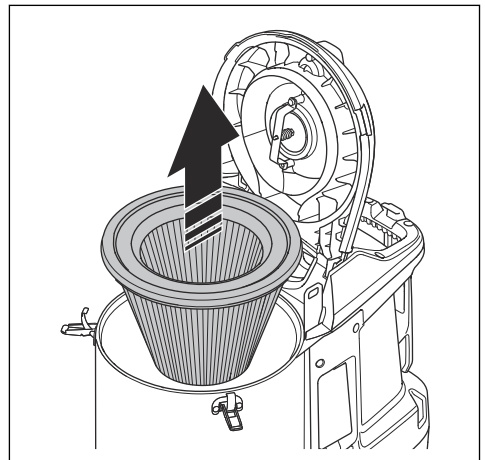
**ACHTUNG:** Lassen Sie ihn nicht bei voller Sonneneinstrahlung trocknen. Die Dichtungen würden austrocknen.

**Hinweis:** Die Reinigung mit Wasser verringert allmählich die Effizienz des Schmutzsiebs.

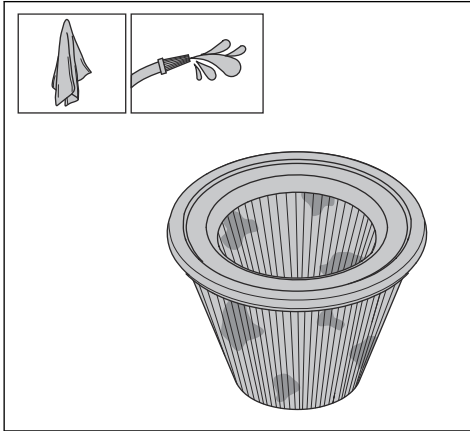
1. Lösen Sie die Abdeckungsverriegelungen (A), und öffnen Sie die Vorfilterabdeckung (B).



2. Entfernen Sie den Vorfilter.



3. Reinigen Sie den Vorfilter mit fließendem Wasser von der Innenfläche des Vorfilters aus.



**ACHTUNG:** Der Wasserdruck darf nicht höher als 4 bar sein.



**ACHTUNG:** Vermeiden Sie es, Gegenstände gegen die Oberfläche des Schmutzsiebs zu stoßen oder darüber zu ziehen, da dies das Schmutzsieb beschädigen kann.

4. Lassen Sie den Vorfilter vollständig trocknen.



**ACHTUNG:** Der Vorfilter muss zu 100 % trocken sein, bevor Sie ihn wieder in das Gehäuse einsetzen.

5. Montieren Sie den Vorfilter, schließen Sie die Vorfilterabdeckung und ziehen Sie die Abdeckungsverriegelungen fest.

Wenn der Vorfilter nicht vollständig gereinigt werden kann oder beschädigt ist, muss er ausgetauscht werden. Siehe *Austausch des Vorfilters auf Seite 52*.

## Austausch des Filters



**WARNUNG:** Tragen Sie eine persönliche Schutzausrüstung. Siehe *Persönliche Schutzausrüstung auf Seite 40*. Beim Austausch des Schmutzsiebs kann gefährlicher Staub in die Luft gelangen.



**WARNUNG:** Stoppen Sie das Gerät, und trennen Sie es von der Stromversorgung, bevor Sie das Schmutzsieb austauschen.

## Austausch des Vorfilters

1. Entfernen Sie den Vorfilter. Siehe *Reinigen des Vorfilters mit Wasser auf Seite 51*.
2. Stecken Sie den Vorfilter vorsichtig in einen Plastikbeutel.
3. Entsorgen Sie den Plastikbeutel ordnungsgemäß. Beachten Sie die lokalen Vorschriften.
4. Installieren Sie den neuen Vorfilter.

Wenn die Saugleistung beim Einbau eines neuen Vorfilters nicht ausreicht, muss der HEPA-Filter ausgetauscht werden. Siehe *Austausch des HEPA-Filters auf Seite 52*.

## Austausch des HEPA-Filters

Der HEPA-Filter kann nicht gereinigt werden. Er muss immer durch einen neuen HEPA-Filter ersetzt werden. Verwenden Sie nur HusqvarnaHEPA-Filter.



**WARNUNG:** Nur ein zugelassenes Service-Center oder eine autorisierte Behörde darf den HEPA-Filter austauschen.



**WARNUNG:** Tragen Sie immer persönliche Schutzausrüstung, siehe *Persönliche Schutzausrüstung auf Seite 40*.



**WARNUNG:** Die Partikel im HEPA-Filter gefährden Ihre Gesundheit.



**WARNUNG:** Stellen Sie sicher, dass sich keine Löcher im HEPA-Filter befinden. Ein beschädigter HEPA-Filter stellt ein Gesundheitsrisiko dar.

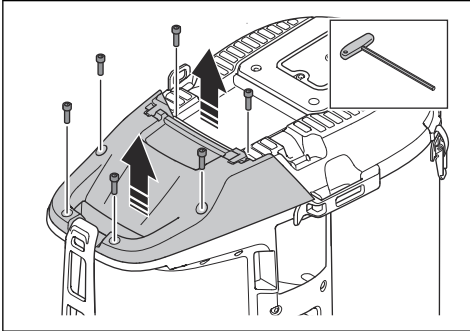


**WARNUNG:** Montieren Sie keinen gebrauchten HEPA-Filter. Wenn Sie einen gebrauchten HEPA-Filter montieren, können Leckagen und verminderte Filtrationseffizienz auftreten.

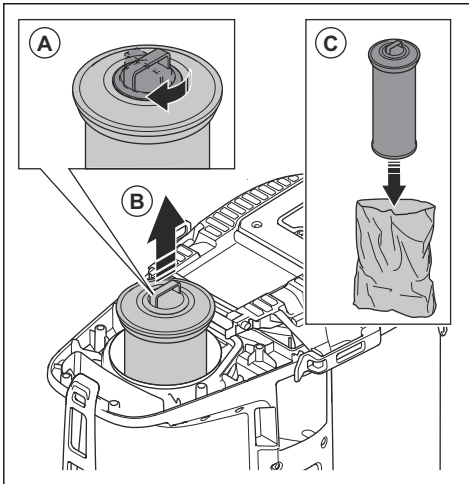


**ACHTUNG:** Berühren Sie nicht die Innenfläche des HEPA-Filters. Dies kann zu Schäden am HEPA-Filter führen.

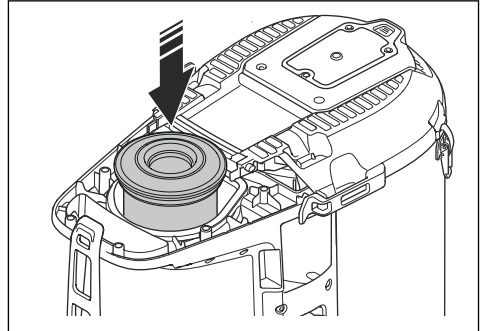
1. Lösen Sie die 6 Schrauben, und entfernen Sie den HEPA-Filterdeckel.



2. Bringen Sie die Staubkappe (A) an, und ziehen Sie den HEPA-Filter heraus. Legen Sie ihn in einen sauberen Plastikbeutel (C).



3. Entsorgen Sie den Plastikbeutel ordnungsgemäß. Beachten Sie die lokalen Vorschriften.
4. Bauen Sie einen neuen HEPA-Filter ein. Stellen Sie sicher, dass der HEPA-Filter nicht in die Endposition gedrückt wird.



5. Bringen Sie den HEPA-Filterdeckel an, und ziehen Sie die 6 Schrauben fest.

# Fehlerbehebung

## Fehlerbehebung

| Problem  | Ursache  | Lösung  |
|--|--|---|
| Der Motor stoppt sofort nach dem Start oder startet nicht.             | Keine Stromversorgung.                                     | Schließen Sie den Akku an das Gerät an.   |
|  | Es liegt ein Fehler am Akku vor.                           | Akku kontrollieren oder ggf. ersetzen. Die Reparatur von einer autorisierten Servicewerkstatt durchführen lassen. |
|  | Die grüne LED am Akku blinkt.                              | Zu geringe Akkuspannung. Die Batterie laden.  |
|  | Der HEPA Filter ist beschädigt oder nicht installiert.     | Tauschen Sie den HEPA-Filter aus oder installieren Sie ihn.   |
|  | Im Gerät liegt ein Kurzschluss vor.                        | Die Reparatur von einer autorisierten Servicewerkstatt durchführen lassen.  |
|  | Zu hohe Spannung im Netzteil.                              | Stellen Sie sicher, dass das richtige Netzteil verwendet wird.  |
|  | Zu hohe Außentemperatur.                                   | Stellen Sie sicher, dass die Umgebungstemperatur im festgelegten Bereich liegt, wenn Sie mit dem Gerät arbeiten.  |
|  | Das Lüfter ist defekt oder nicht angeschlossen.            | Die Reparatur von einer autorisierten Servicewerkstatt durchführen lassen.  |
| Der Motor ist eingeschaltet, aber es ist keine Saugleistung vorhanden. | Der Staubabsaugschlauch ist nicht korrekt angeschlossen.   | Schließen Sie den Staubabsaugschlauch an.   |
|  | Der Staubabsaugschlauch ist verstopft.                     | Reinigen Sie den Staubabsaugschlauch.   |
|  | Es gibt keine Longopac.                                    | Installieren Sie eine Longopac-Kassette.  |
|  | Der Longopac ist nicht mit einem Kabelbinder verschlossen. | Befestigen Sie einen Kabelbinder.   |

| Problem                                  | Ursache   | Lösung  |
|--|---|---|
| Die Saugleistung ist nicht ausreichend.  | Zu niedrige Spannung im Netzteil.                 | Stellen Sie sicher, dass das richtige Netzteil verwendet wird.  |
|  | Im Staubabsaugschlauch befindet sich ein Loch.    | Tauschen Sie den Staubabsaugschlauch aus.   |
|  | Der Vorfilter ist verstopft.                      | Entfernen Sie Staubpartikel aus dem Vorfilter. Reinigen Sie ihn oder tauschen Sie ihn gegebenenfalls aus. |
|  | Der HEPA-Filter ist verstopft.                    | Tauschen Sie den HEPA-Filter aus. Siehe <i>Austausch des HEPA-Filters auf Seite 52</i> .                  |
|  | Die obere Abdeckung ist locker.                   | Schließen Sie die obere Abdeckung vollständig.  |
|  | Die Dichtungen sind defekt                        | Tauschen Sie die Dichtung aus.  |
| Staub gelangt vom Motor in die Luft.     | Die Filter sind falsch eingebaut oder beschädigt. | Installieren Sie die Filter korrekt. Ersetzen Sie beschädigte Filter.                                     |
| Das Gerät macht ungewöhnliche Geräusche. | N/A   | Die Reparatur von einer autorisierten Servicewerkstatt durchführen lassen.                                |



## Warnungen auf dem Bedienfeld



**ACHTUNG:** Betreiben Sie das Gerät nicht, wenn die rote Leuchte aufleuchtet. Wenn der Fehler durch die Ausgangslösung nicht behoben werden kann, wenden Sie

sich an eine autorisierte Servicewerkstatt, bevor Sie das Gerät wieder in Betrieb nehmen.

| Symbol | Signal-  | Ursache  | Lösung   |
|--------|--|--|--|
|        | Das Summersignal ertönt und die rote Leuchte leuchtet auf. | Der Vorfilter ist verstopft.   | Führen Sie das Filterspülverfahren durch, siehe <i>So entfernen Sie während des Betriebs Staubpartikel aus dem Vorfilter auf Seite 46</i> .                                    |
|        |  | Ein falscher Schlauch ist angeschlossen oder im Bedienfeld ausgewählt. | Bringen Sie den richtigen Schlauch an oder wählen Sie die richtige Schlauchabmessung auf dem Bedienfeld aus, siehe <i>Auswahl des Schlauchdüsendurchmessers auf Seite 44</i> . |
|        |  | Der Schlauch ist beschädigt oder zusammengedrückt.                     | Tauschen Sie den Schlauch aus.   |
|        |  | Der Schlauch ist verstopft.  | Säubern Sie den Schlauch.  |
|        | Die rote Leuchte blinkt.                                   | Der Hauptvakuumschlauch ist getrennt.                                  | Die Reparatur von einer autorisierten Servicewerkstatt durchführen lassen.   |
|        | Die rote Leuchte leuchtet auf.                             | Der HEPA-Filter fehlt, ist voll oder beschädigt.                       | Überprüfen Sie den HEPA-Filter und tauschen Sie ihn bei Bedarf aus. Siehe <i>Austausch des HEPA-Filters auf Seite 52</i> .   |

| Symbol   | Signal-                         | Ursache                            | Lösung   |
|--|---------------------------------|------------------------------------|--|
|  | Rote LED blinkt.                | Akkufehler.                        | Die Reparatur von einer autorisierten Servicewerkstatt durchführen lassen.   |
|  | Die rote Leuchte leuchtet auf.  | Kabel-Kommunikation nicht erkannt. | Die Reparatur von einer autorisierten Servicewerkstatt durchführen lassen.   |
|  |                                 | Die Steuereinheit ist beschädigt.  | Die Reparatur von einer autorisierten Servicewerkstatt durchführen lassen.   |
|  |                                 | Falscher Akku wird verwendet.      | Verwenden Sie einen korrekten Akku.  |
|  |                                 | Warnung.                           | Sehen Sie sich die Betriebsaufzeichnungen Ihrer Husqvarna Fleet-App an oder sprechen Sie mit einer autorisierten Servicewerkstatt. |
|  | Die gelbe Leuchte leuchtet auf. | Der HEPA Filter ist fast voll.     | Tauschen Sie bei Bedarf den HEPA Filter aus.   |
|  | Die rote Leuchte leuchtet auf.  | Der HEPA Filter ist voll.          | Tauschen Sie den HEPA Filter aus.  |

## Fehlercodes

| Fehlercode | Fehler                        | Beschreibung   | Vermutliche Ursache(n)                                     | Aktion(en)  |
|------------|-------------------------------|--|--|---|
| 2          | HEPA-Filter fehlt.            | Das Gerät schaltet sich aus/<br>startet nicht.<br><br>+ Warnleuchte auf der Mensch-Maschine-Schnittstelle (Human Machine Interface, HMI).<br><br>+ HEPA-Symbol auf der Mensch-Maschine-Schnittstelle (Human Machine Interface, HMI). | HEPA-Filter fehlt oder ist beschädigt.                     | Montieren Sie den HEPA-Filter oder tauschen Sie ihn aus.            |
| 3          | Niedrige Versorgungsspannung. | Geringe Leistung (geringer Luftstrom/Unterdruck).  | Zu niedrige Spannung im Netz/Netzteil.                     | Stellen Sie sicher, dass das richtige Netz/Netzteil verwendet wird. |
| 4          | Hohe Versorgungsspannung.     | Das Gerät schaltet sich aus/<br>startet nicht.<br><br>+ Warndiodenleuchte auf Mensch-Maschine-Schnittstelle (Human Machine Interface, HMI).  | Zu hohe Spannung im Netz/Netzteil.                         | Stellen Sie sicher, dass das richtige Netz/Netzteil verwendet wird. |
|            |                               |  | Falscher Akku verwendet.                                   | Verwenden Sie einen korrekten Akku.                                 |
| 5          | Hauptdrucksensorfehler.       | Die Kontrollleuchte des Vorfilters blinkt rot.   | Unterdruckschlauch ist nicht angeschlossen oder verstopft. | Bitte eine autorisierte Servicewerkstatt kontaktieren.              |
|            |                               |  | Die Steuerung ist beschädigt.                              |   |



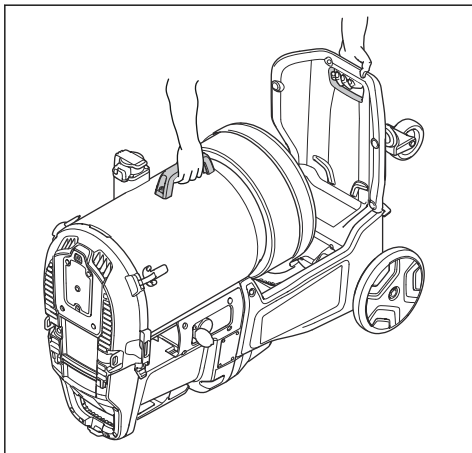
| Fehlercode | Fehler   | Beschreibung  | Vermutliche Ursache(n)                              | Aktion(en)  |
|------------|--|---|---|---|
| 6          | Die Temperatur der Leiterplatte-Baugruppe ist zu hoch. | Das Gerät schaltet sich aus/<br>startet nicht.<br><br>+ Warndiodenleuchte auf Mensch-Maschine-Schnittstelle (Human Machine Interface, HMI). | Zu hohe Außentemperatur.                            | Verwenden Sie das Gerät nicht außerhalb des angegebenen Temperaturbereichs. |
| 7          | Fehlfunktion des Lüfters.                              | Das Gerät schaltet sich aus/<br>startet nicht.<br><br>+ Warndiodenleuchte auf Mensch-Maschine-Schnittstelle (Human Machine Interface, HMI). | Der Lüfter ist beschädigt oder nicht angeschlossen. | Bitte eine autorisierte Servicewerkstatt kontaktieren.                      |
|            |  |   | Die Steuerung ist beschädigt.                       |   |
| 9          | Ein-Kabel-Kommunikation nicht erkannt.                 | Das Gerät schaltet sich aus/<br>startet nicht.<br><br>+ Warndiodenleuchte auf Mensch-Maschine-Schnittstelle (Human Machine Interface, HMI). | Kabel getrennt oder beschädigt.                     | Bitte eine autorisierte Servicewerkstatt kontaktieren.                      |

## Transport, Lagerung und Entsorgung

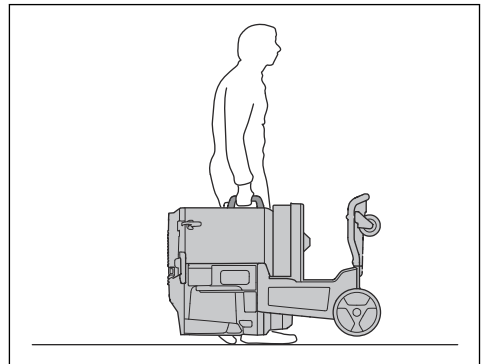
### So bewegen Sie das Gerät über kurze Entfernungen

Stellen Sie sicher, dass das Einlassventil geschlossen ist. Stellen Sie sicher, dass sich die Staubkappen auf den Schläuchen befinden.

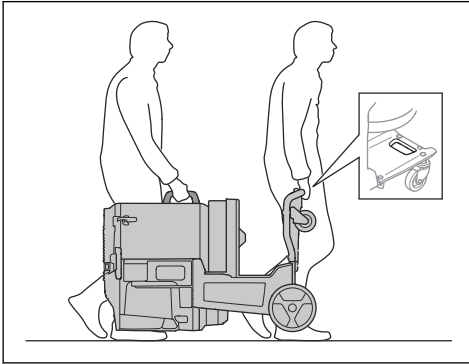
1. Stellen Sie das Gerät auf dem Boden ab.



2. Heben Sie das Gerät manuell an.



3. Wenn 2 Personen das Gerät anheben, stellen Sie sicher, dass Sie die 2 Hebepunkte verwenden.

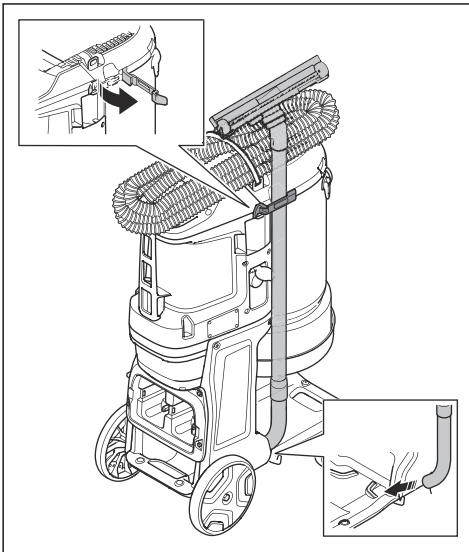


## So bewegen Sie das Gerät über lange Entfernungen

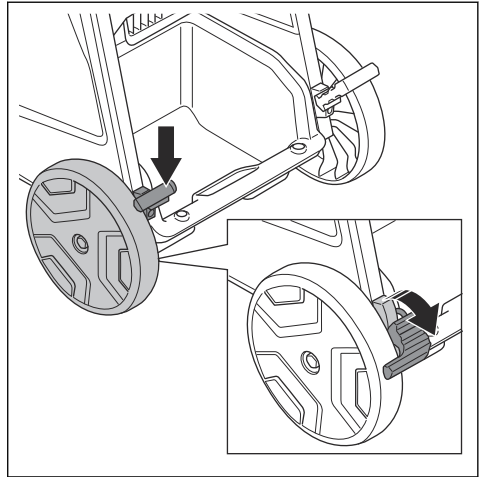
Transportieren Sie das Gerät in einem geschlossenen Fahrzeug.

Stellen Sie sicher, dass das Einlassventil geschlossen ist. Stellen Sie sicher, dass sich die Staubkappen auf den Schläuchen befinden.

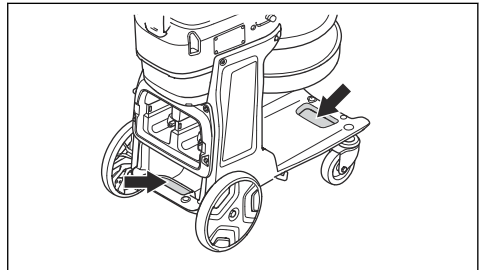
1. Stellen Sie sicher, dass der Longopac am Gerät montiert ist.
2. Stellen Sie sicher, dass der Longopac-Beutel leer ist.
3. Befestigen Sie das Netzkabel, den Staubabsaugschlauch und das Griffrohr fest am Gerät.



4. Verriegeln Sie die Transporträder.



5. Heben Sie das Gerät an, siehe *So heben Sie das Gerät an auf Seite 58*.
6. Befestigen Sie das Gerät sicher am Transportfahrzeug, um Schäden und Unfälle zu vermeiden. Verwenden Sie die Verzurpunkte.



## So heben Sie das Gerät an



**WARNUNG:** Stellen Sie sicher, dass die Hebevorrichtung und die Hebegurte den korrekten Spezifikationen entsprechen, um das Gerät sicher anheben zu können. Auf dem Typenschild des Geräts ist das Gerätegewicht angegeben, siehe *Typenschild auf Seite 35*.



**WARNUNG:** Holen Sie sich Hilfe, wenn Sie sich nicht sicher sind, wie Sie schwere Geräte anheben sollen.



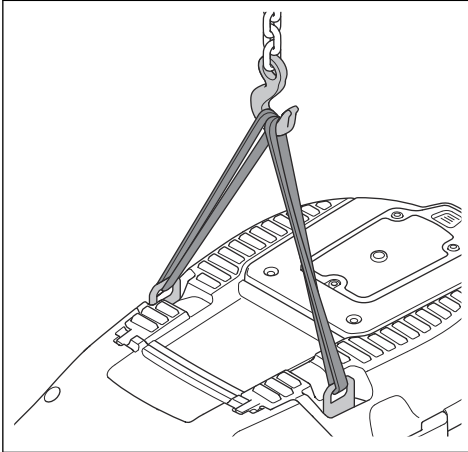
**WARNUNG:** Heben Sie das Gerät nicht an, wenn sich Staub im Tank oder im -Beutel befindet. Heben Sie das Gerät nicht

mit zusätzlichem Gewicht im oder am Gerät an.



**WARNUNG:** Heben Sie das Gerät nicht mit eingelegten Akkus an.

1. Führen Sie das Filterspülverfahren durch, bevor Sie das Gerät anheben. Siehe *So entfernen Sie während des Betriebs Staubpartikel aus dem Vorfilter auf Seite 46*.
2. Führen Sie die Gurte durch die Hebeösen, um das Gerät sicher anzuheben.



**WARNUNG:** Verwenden Sie keine Metallhaken, Ketten oder sonstige Hebevorrichtungen mit scharfen Kanten, die die Hebeöse beschädigen können. Nur weiche Hebegurte sind zulässig.

## Lagerung des Geräts



**ACHTUNG:** Lagern Sie das Gerät im Innenbereich geschützt vor Außenelementen.

- Lagern sie das Gerät bei einer Umgebungstemperatur zwischen  $-10\text{ °C}$  ( $14\text{ °F}$ ) und  $40\text{ °C}$  ( $104\text{ °F}$ ).
- Führen Sie das Filterspülverfahren vor der Lagerung durch und entsorgen Sie den Longopac mit dem gesammelten Material.
- Trennen Sie das Gerät von der Stromversorgung.
- Bewahren Sie das Gerät in einem trockenen und frostfreien Raum auf.
- Bewahren Sie das Gerät in einem verschlossenen Bereich auf. Erlauben Sie niemals Kindern oder nicht autorisierten Personen, sich dem Gerät zu nähern.

## So entsorgen Sie das Gerät

- Befolgen Sie die örtlichen Recyclinganforderungen und geltenden Vorschriften.
- Wenn Sie das Gerät nicht mehr benutzen, senden Sie es an einen Husqvarna-Händler oder entsorgen Sie es bei einer Recyclingstelle.

# Technische Daten

## Technische Daten

| Daten   | DE 110i H                   | DE 120 H PACE               |
|---|-----------------------------|-----------------------------|
| Stromquelle   | Akku                        | Akku                        |
| Nennspannung, V   | 36                          | 94                          |
| Maximale Leistung, W  | 900                         | 2200                        |
| Maximaler Strom, A  | 20                          | 17                          |
| Maximaler Luftstrom, cfm/m <sup>3</sup> /h                                | 127/215                     | 259/450                     |
| Maximales Vakuum, psi/kPa/in. H <sub>2</sub> O                            | 2,5/17/68                   | 2,9/22/88                   |
| Zusatzsteckdose   | Nein                        |                             |
| Vorfilterbereich, ft <sup>2</sup> /m <sup>2</sup>                         | 15,4/1,4                    | 29,5/2,7                    |
| Filtereffizienz HEPA  | HEPA 13                     |                             |
| Gesamtfläche HEPA, ft <sup>2</sup> /m <sup>2</sup> HEPA 13                | 12,7/1,2                    | 25,4/2,4                    |
| Staubauffangsystem, Art   | Longopac                    |                             |
| Filter-Reinigungsmechanismus  | Jet Pulse                   |                             |
| Abmessungen LxBxH, Zoll/mm  | 26,4x15,7x39,4/670x400x1000 | 32,1x21,3x44,3/815x542x1125 |
| Gewicht, lbs/kg   | 57/26                       | 90/41                       |
| Schallleistungspegel, L <sub>WA</sub> gemessen, dB(A) <sup>4</sup>        | 83,6                        | 97,3                        |
| Schalldruckpegel L <sub>PA</sub> am Ohr des Bedieners, dB(A) <sup>5</sup> | 68,3                        | 83,8                        |
| Vibrationspegel a <sub>h</sub> , m/s <sup>26</sup>                        | ≤2,5                        |                             |
| Schutzart   | IP44                        |                             |

## Integrierte Konnektivität

**Hinweis:** Dieser Abschnitt gilt nur für Geräte mit integrierter Konnektivität.

<sup>4</sup> Umweltbelastende Geräuschemission gemessen als Schalleistung (LWA) gemäß EN 60335-2-69. Unsicherheit KWA 2dB.

<sup>5</sup> Schalldruckpegel gemäß EN 60335-2-69 Unsicherheit KPA 2 dB

<sup>6</sup> Vibrationspegel gemäß EN 60335-2-69. Berichten zufolge liegt der Vibrationspegel normalerweise bei einer Ausbreitungsklasse (Standardabweichung) von 1 m/s<sup>2</sup>.

| <b>BLE-Technologie-Frequenzband</b>    |             |
|--|-------------|
| Frequenzbänder für das Werkzeug, GHz   | 2,402-2,480 |
| Maximale Funkfrequenz-Leistung, dBm/mW | 4/2,5       |

---

## Zubehör

---

### Zugelassene Akkus für das Gerät

| Gerät             | DE 110i H     |               | DE 120 H PACE  |                |
|-------------------|---------------|---------------|----------------|----------------|
|                   | BLi 200       | BLi 300       | 100-B380X PACE | 100-B750X PACE |
| Akku              | BLi 200       | BLi 300       | 100-B380X PACE | 100-B750X PACE |
| Typ               | Lithium-Ionen | Lithium-Ionen | Lithium-Ionen  | Lithium-Ionen  |
| Akkukapazität, Ah | 5,2           | 9,4           | 4              | 8              |
| Nennspannung, V   | 36            | 36            | 94             | 94             |
| Gewicht, kg/lb    | 1,3/2,9       | 1,9/4,2       | 3,1/6,1        | 5,1/11,4       |

### Zugelassene Ladegeräte für das Gerät

| Gerät           | DE 110i H |         | DE 120 H PACE  |                 |
|-----------------|-----------|---------|----------------|-----------------|
|                 | QC 330    | QC 500  | 100-C900X PACE | 100-C1800X PACE |
| Akkuladegerät   | QC 330    | QC 500  | 100-C900X PACE | 100-C1800X PACE |
| Netzspannung, V | 100-240   | 100-240 | 100-240        | 100-240         |
| Frequenz, Hz    | 50–60     | 50–60   | 50–60          | 50–60           |
| Leistung, W     | 330       | 500     | 900            | 1800            |

---

# Konformitätserklärung

---

## EU-Konformitätserklärung

Wir, die **Husqvarna AB**, SE561 82 Huskvarna,  
Schweden, Tel.: +46-36-146500, erklärt in alleiniger  
Verantwortung, dass das Gerät:

|                        |                          |
|------------------------|--------------------------|
| <b>Beschreibung</b>    | Staubabsauger            |
| <b>Marke</b>           | HUSQVARNA                |
| <b>Typ/Modell</b>      | DE 110i H, DE 120 H PACE |
| <b>Identifizierung</b> | Seriennummern ab 2023    |

die folgenden EU-Richtlinien und -Verordnungen erfüllt:

| <b>Richtlinie/Verordnung</b> | <b>Beschreibung</b>  |
|------------------------------|--|
| 2006/42/EC                   | „Maschinenrichtlinie“  |
| 2014/53/EU                   | „zu Funkanlagen“   |
| 2011/65/EU                   | „zur Beschränkung der Verwendung bestimmter gefährlicher Stoffe“ |

und dass die folgenden Normen und/oder technischen  
Daten angewendet werden;

EN ISO 12100:2010

EN 60335-2-69:2012

EN IEC 55014-1:2021

EN IEC 55014-2:2021

ETSI EN 300 328 V2.2.2

EN IEC 63000:2018

Partille, 2023-07-24



Martin Huber

R&D Director, Concrete Surfaces & Floors

Husqvarna AB, Construction Division

Verantwortlich für die technische Dokumentation

---

## Eingetragene Marken

---

Die *Bluetooth*<sup>®</sup>-Wortmarke und die Logos sind eingetragene Marken von *Bluetooth SIG, inc.* und die Verwendung dieser Marken durch Husqvarna erfolgt unter Lizenz.

---

## Sommaire

---

|                   |    |  |    |
|-------------------|----|--|----|
| Introduction..... | 64 | Transport, entreposage et mise au rebut..... | 89 |
| Sécurité.....     | 67 | Caractéristiques techniques.....             | 92 |
| Utilisation.....  | 73 | Accessoires.....                             | 93 |
| Entretien.....    | 80 | Déclaration de conformité.....               | 94 |
| Dépannage.....    | 86 | Marques déposées.....                        | 95 |

---

## Introduction

---

### Description du produit

Le produit est un extracteur de poussière à batterie. L'air chargé de poussière passe par le tuyau d'aspiration jusqu'à la soupape d'admission. Le produit sépare les particules de poussière de l'air. Les particules tombent dans le sac en plastique situé à la base du produit.

### Utilisation prévue

---



**AVERTISSEMENT:** Ne recueillez pas de sources d'inflammation, de particules

chaudes, de liquides, de matériaux explosifs et de particules instables ou pyrophoriques.

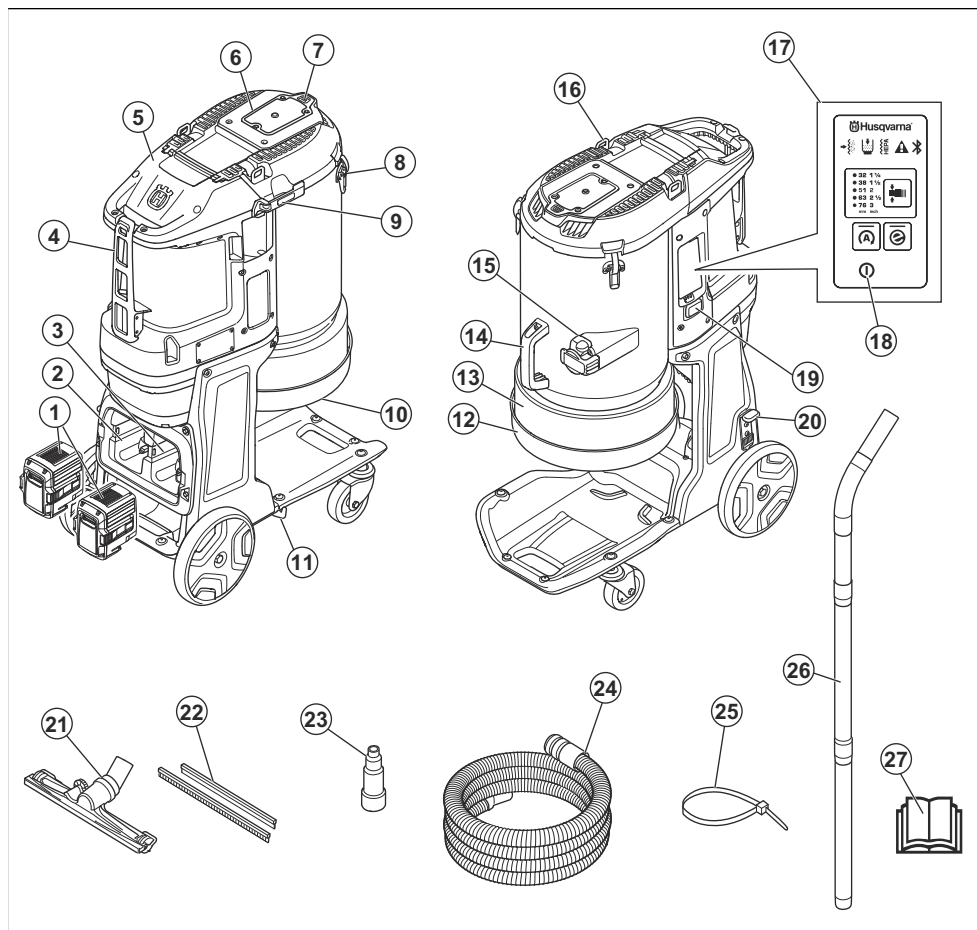
---

Ce produit est à usage professionnel uniquement. Ce produit est utilisé pour recueillir et éliminer les matériaux secs des machines et des dispositifs. Le matériau peut être dangereux pour la santé. Reportez-vous à la classe de poussière H de la norme EN 60335-2-69.

N'utilisez pas ce produit pour d'autres travaux. Utilisez uniquement le produit avec des accessoires approuvés par le fabricant.



## Aperçu du produit



- |   |  |
|---|--|
| 1. Batterie (accessoire)                            | 16. Anneau de levage   |
| 2. Remisage pour batterie de rechange               | 17. Panneau de commande, voir <i>Fonctions du panneau de commande à la page 75</i> |
| 3. Support de batterie                              | 18. Marche/arrêt   |
| 4. Fixation pour tuyau d'extraction de poussière    | 19. Compteur horaire   |
| 5. Couvercle du filtre HEPA                         | 20. Frein de roue  |
| 6. Couvercle du préfiltre                           | 21. Brosse pour le sol   |
| 7. Bouton de purge du filtre                        | 22. Bandes en caoutchouc   |
| 8. Verrou du couvercle                              | 23. Buse de tuyau (DE 110i H)  |
| 9. Fixation à bascule pour tuyau de poignée         | 24. Tuyau d'extraction de poussière  |
| 10. Cône d'évacuation de la poussière en caoutchouc | 25. Serre-câble  |
| 11. Support de tuyau de poignée                     | 26. Tuyau de poignée   |
| 12. Support pour Longopac                           | 27. Manuel de l'opérateur  |
| 13. Longopac  |  |
| 14. Poignée   |  |
| 15. Clapet  |  |

## Symboles concernant le produit



**AVERTISSEMENT** : ce produit peut être dangereux et causer des blessures graves, voire mortelles, à l'opérateur ou à d'autres personnes. Soyez prudent et utilisez le produit correctement.



Lisez avec attention le manuel d'utilisation et assurez-vous de bien comprendre les instructions avant d'utiliser ce produit.



Utilisez des protège-oreilles, des protections pour les yeux et une protection respiratoire. Reportez-vous à *Équipement de protection individuel à la page 72*.



N'utilisez pas de crochets métalliques, de chaînes ou d'autres équipements de levage dont les bords sont irréguliers et qui peuvent endommager l'anneau de levage. Utilisez uniquement des sangles de levage souples.



Cet appareil de classe H est certifié par un tiers selon la norme CEI-60335-2-69, EN-60335-2-69 annexe AA.

Cet appareil contient des poussières nocives. Les opérations d'entretien et de vidage, parmi lesquelles la dépose des conteneurs de collecte de la poussière, peuvent uniquement être réalisées par des spécialistes portant un équipement de protection adéquat. N'utilisez jamais l'extracteur de poussière sans le système de filtration complet.



Ce produit n'est pas un déchet domestique. Déposez-le dans une déchetterie agréée pour équipements électriques et électroniques.



Si le produit est doté de la technologie sans fil Bluetooth®. Le symbole Bluetooth® sera inscrit sur l'étiquette du nom du produit. Reportez-vous à *Bluetooth® technologie sans fil à la page 74*.

**Remarque:** les autres symboles/autocollants présents sur le produit concernent des exigences de certification spécifiques à certains marchés.

## Symboles sur la batterie et/ou son chargeur



Le produit ou son emballage ne font pas partie des ordures ménagères.



Li-Ion

Déposez le produit dans un site de recyclage approprié pour équipements électriques et électroniques.



Ne mettez pas la batterie dans l'eau.



Protégez la batterie des rayons directs du soleil, de la chaleur et des flammes nues.

## IPX4

Le produit est protégé contre les éclaboussures d'eau.



Mise à la terre fonctionnelle.



Transformateur à sécurité intégrée.



Utilisez et stockez le chargeur de batterie en intérieur uniquement.



Double isolation.

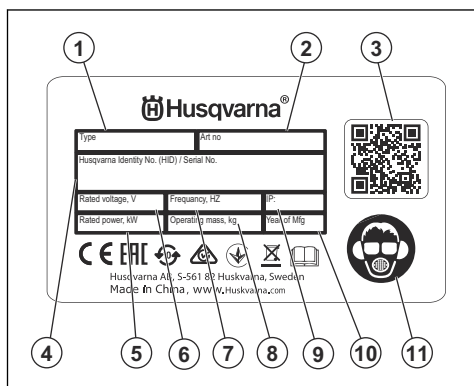
## Connectivité intégrée

Husqvarna Fleet Services™ est une solution de gestion des actifs dans le cloud qui donne un aperçu de tous les produits connectés via des capteurs intégrés ou en pièce détachée au gestionnaire de flotte. La position de la passerelle ou du smartphone peut être utilisée pour indiquer l'emplacement des produits connectés. Les capteurs enregistrent les données comme la vitesse d'exécution, les intervalles d'entretien et davantage encore. Pour plus d'informations sur la solution de gestion des actifs dans le cloud

Husqvarna Fleet Services™, téléchargez l'application iOS ou Android Husqvarna Fleet Services à l'adresse <https://apps.apple.com/se/app/husqvarna-fleet-services/id1334672726> ou <https://play.google.com/store/apps/details?id=com.husqvarna.hfsmobile&hl=en>. Pour plus d'informations, contactez votre représentant commercial Husqvarna.

Certains modèles sont connectés via le capteur Husqvarna Fleet Services™ intégré qui dispose de la fonction Bluetooth Low Energy (BLE). Pour plus d'informations sur son utilisation, reportez-vous à *Pour utiliser la connectivité intégrée avec Fleet à la page 74*. Pour plus d'informations sur le spectre radio de la technologie BLE, reportez-vous à la section *Connectivité intégrée à la page 92*.

## Plaques d'identification



1. Réf.
2. Référence article
3. QR code
4. Numéro de série
5. Puissance nominale
6. Tension nominale
7. Fréquence
8. Poids
9. Classe IP
10. Année de production
11. Équipement de protection individuel

## Responsabilité

Conformément à la loi sur la responsabilité du fait des produits, nous déclinons toute responsabilité pour tout dommage causé par notre produit si :

- le produit n'est pas correctement réparé ;
- le produit est réparé avec des pièces qui ne proviennent pas du fabricant ou qui ne sont pas homologuées par le fabricant ;
- le produit est équipé d'un accessoire qui ne provient pas du fabricant ou qui n'est pas homologué par le fabricant ;
- le produit n'est pas réparé par un centre d'entretien agréé ou par une autorité homologuée.

## Sécurité

### Définitions de sécurité

Des avertissements, des recommandations et des remarques sont utilisés pour souligner des parties spécialement importantes du manuel.



**AVERTISSEMENT:** Symbole utilisé en cas de risque de blessures ou de mort pour l'opérateur ou les personnes à proximité si les instructions du manuel ne sont pas respectées.



**REMARQUE:** Symbole utilisé en cas de risque de dommages pour le produit, d'autres matériaux ou les environs si les instructions du manuel ne sont pas respectées.

**Remarque:** Symbole utilisé pour donner des informations supplémentaires pour une situation donnée.

### Instructions générales de sécurité



**AVERTISSEMENT:** Lisez les instructions qui suivent avant d'utiliser le produit.



**AVERTISSEMENT:** Les produits PACE présentent des tensions dangereuses à l'intérieur du boîtier. Afin d'éviter tout choc électrique : N'essayez pas d'ouvrir le produit. N'utilisez pas un produit endommagé. Ne branchez pas une batterie PACE à un produit endommagé. Si le produit est endommagé lors de l'utilisation, retirez la batterie PACE du produit et contactez votre centre de service Husqvarna.

- Ce produit est un outil dangereux si vous ne faites pas attention ou si vous l'utilisez de manière incorrecte. Ce produit peut causer des blessures graves, voire mortelles, à l'opérateur ou à d'autres personnes. Avant d'utiliser le produit, il convient

de lire attentivement et de bien comprendre les instructions contenues dans ce manuel de l'opérateur.

- Ne laissez pas des personnes (y compris des enfants) aux capacités physiques, sensorielles ou mentales limitées utiliser ce produit, sauf si elles ont bénéficié de la surveillance ou des instructions concernant l'utilisation de l'appareil d'une personne responsable de leur sécurité.
- Assurez-vous d'avoir de l'expérience et des connaissances sur le produit avant de l'utiliser.
- Veillez à ce que toutes les commandes soient coupées avant de débrancher la batterie.
- Respectez l'ensemble des lois et réglementations applicables.
- L'opérateur et son employeur doivent connaître et éviter tout risque au cours de l'utilisation du produit.
- Ne laissez personne utiliser le produit avant d'avoir lu et compris le contenu du manuel de l'opérateur.
- N'utilisez pas le produit sauf si vous bénéficiez d'une formation préalable. Assurez-vous que tous les opérateurs suivent une formation.
- Ne laissez pas un enfant utiliser le produit.
- Seules les personnes autorisées peuvent utiliser le produit.
- L'utilisateur est tenu responsable des accidents auxquels il expose autrui ou ses biens.
- N'utilisez jamais l'appareil si vous êtes fatigué ou malade, ou si vous êtes sous l'emprise d'alcool, de drogues ou de médicaments.
- Soyez toujours prudent et utilisez votre bon sens.
- Ce produit génère un champ électromagnétique durant son fonctionnement. Ce champ peut dans certaines circonstances perturber le fonctionnement d'implants médicaux actifs ou passifs. Pour réduire le risque de blessures graves ou mortelles, nous recommandons aux personnes portant des implants médicaux de consulter leur médecin et le fabricant de leur implant avant d'utiliser cet appareil.
- Maintenez le produit propre. Assurez-vous que vous pouvez lire clairement les avertissements et les autocollants.
- N'utilisez pas le produit si celui-ci est défectueux.
- Ne modifiez pas ce produit ou la batterie.
- N'utilisez pas le produit s'il est susceptible d'avoir été modifié par d'autres personnes.
- N'utilisez pas le produit sans les filtres requis.
- Conservez tous les avertissements de sécurité et toutes les instructions.

### Consignes de sécurité relatives à l'utilisation de la batterie



**AVERTISSEMENT:** lisez les instructions qui suivent avant d'utiliser le produit.



**AVERTISSEMENT:** Une batterie endommagée peut exploser et causer des blessures. Si la batterie présente une déformation ou est endommagée, contactez un agent d'entretien Husqvarna agréé.

- Utilisez uniquement les batteries BLi que nous recommandons pour votre produit. Les batteries sont codées par logiciel.
- Utilisez uniquement des batteries d'origine pour ce produit. Il existe un risque d'explosion si les batteries sont remplacées par un type de batterie incorrect. Pour davantage d'informations, contactez votre revendeur.
- Utilisez les batteries BLi rechargeables en tant qu'alimentation électrique pour les produits Husqvarna uniquement. Afin d'éviter toute blessure, n'utilisez pas la batterie comme source d'alimentation électrique pour d'autres produits.
- Risque de choc électrique. Ne branchez pas les bornes de la batterie à des clés, des vis ou tout autre élément métallique. Cela peut provoquer un court-circuit de la batterie.
- En cas de fuite de la batterie, ne laissez pas le liquide entrer en contact avec votre peau, vos vêtements ou le produit. Si vous touchez le liquide, nettoyez la zone avec beaucoup d'eau claire et contactez un médecin.
- Portez des lunettes de protection lorsque vous êtes à proximité des batteries. Si vous recevez du liquide dans les yeux, ne les frottez pas ; rincez-les abondamment à l'eau pendant au moins 15 minutes. Consultez un médecin.
- N'utilisez pas de batteries non rechargeables.
- Ne modifiez pas la batterie.
- Ne placez pas d'objets dans les fentes d'aération de la batterie.
- Protégez la batterie des rayons directs du soleil, de la chaleur et des flammes nues. La batterie peut provoquer une explosion, des brûlures et/ou des brûlures chimiques.
- Protégez la batterie de la pluie et de l'humidité.
- Protégez la batterie des micro-ondes et des hautes pressions.
- N'essayez pas de démonter ou de casser la batterie.
- N'utilisez la batterie que si la température ambiante est comprise entre -10 °C (14 °F) et 40 °C (104 °F).
- Ne nettoyez pas la batterie ou le chargeur de batterie avec de l'eau. Reportez-vous à *Contrôle de la batterie et du support de batterie à la page 82*.
- N'utilisez pas une batterie endommagée.
- Remisez les batteries à distance des objets métalliques, tels que les clous, les vis ou les bijoux.
- Tenez la batterie hors de portée des enfants.
- Fixez la batterie de manière appropriée. Une batterie mal attachée peut provoquer un court-circuit.

## Consignes de sécurité relatives au chargeur de batterie



**AVERTISSEMENT:** Lisez tous les avertissements et toutes les instructions de sécurité. Le non-respect des consignes et mises en garde peut être à l'origine d'un choc électrique, d'un incendie et/ou de blessures graves.

- Risque de choc électrique ou de court-circuit si les instructions de sécurité ne sont pas respectées.
- N'utilisez pas d'autres chargeurs de batterie que celui fourni pour votre produit. Utilisez uniquement des chargeurs Husqvarna QC ou Husqvarna PACE lorsque vous chargez des batteries de rechange Husqvarna BLI ou PACE.
- N'essayez pas de démonter le chargeur de batterie.
- N'utilisez pas de chargeur de batterie endommagé.
- Ne soulevez pas le chargeur de batterie par le cordon d'alimentation. Pour débrancher le chargeur de batterie d'une prise de courant murale, tirez sur la fiche. Ne tirez pas le cordon d'alimentation.
- Conservez tous les câbles et toutes les rallonges loin de l'eau, de l'huile et des bords tranchants. Veillez à ce que le câble ne soit pas coincé dans des portes, des clôtures ou tout autre équipement similaire.
- N'utilisez pas le chargeur de batterie à proximité de matériaux inflammables ou pouvant provoquer la formation de corrosion. Assurez-vous que le chargeur de batterie n'est pas couvert. En cas de dégagement de fumée ou de début d'incendie, débranchez aussitôt la fiche reliée au chargeur de batterie.
- Rechargez la batterie uniquement en intérieur, dans un endroit bien aéré et à l'abri de la lumière. Ne rechargez pas la batterie à l'extérieur. Ne rechargez pas la batterie dans des conditions humides.
- Utilisez le chargeur de batterie uniquement lorsque la température ambiante est comprise entre 5 °C / 41 °F et 40 °C / 104 °F. Utilisez le chargeur dans un environnement bien ventilé, sec et exempt de poussière.
- Ne placez pas d'objets dans les fentes d'aération du chargeur de batterie.
- Ne raccordez pas les bornes du chargeur de batterie à des objets métalliques, car cela peut court-circuiter le chargeur de batterie.
- Ne chargez pas de batteries non rechargeables dans le chargeur de batterie et ne les utilisez pas dans la machine.
- Utilisez des prises de courant murales homologuées et non endommagées.

### Sécurité dans l'espace de travail

- **Maintenez un espace de travail propre et bien éclairé.** Les espaces encombrés ou sombres exposent à des accidents.

- **Ne l'utilisez pas dans des atmosphères explosives, en présence de gaz, de poussières ou de liquides inflammables par exemple.** Le produit provoque des étincelles qui peuvent enflammer la poussière ou les vapeurs.
- **Tenez les enfants et les spectateurs à distance lorsque le produit est en marche.** Un moment d'inattention peut vous faire perdre le contrôle.

### Sécurité électrique



**AVERTISSEMENT: N'exposez pas l'appareil à la pluie ou à l'humidité.** L'infiltration d'eau dans un appareil électrique augmente le risque d'électrocution.

- **La fiche du cordon d'alimentation de l'appareil doit correspondre à la prise. N'apportez jamais de modifications à la fiche. N'utilisez pas d'adaptateurs avec des produits mis à la terre.** Des fiches non modifiées et des prises compatibles réduisent le risque d'électrocution.
- **Insérez la fiche dans une prise de courant mise à la terre appropriée, correctement installée et conforme aux réglementations locales. En cas de doute sur l'efficacité de la prise de courant, faites vérifier la connexion de terre par un spécialiste qualifié.**
- **Évitez tout contact physique avec les surfaces mises à la terre telles que les tuyaux, les radiateurs, les cuisinières et les réfrigérateurs.** Le risque d'électrocution est plus important si le corps est relié à la terre.
- **Vérifiez que le cordon d'alimentation ne se trouve pas dans une flaque d'eau.**
- **Vérifiez régulièrement le cordon d'alimentation de l'appareil et faites-le remplacer par le fabricant ou son agent en cas de dommage. Vérifiez régulièrement les rallonges et remplacez-les si elles sont endommagées.**
- **Ne touchez pas le cordon d'alimentation ou la rallonge s'ils sont endommagés pendant le travail. Débranchez le cordon d'alimentation de la prise de courant.** Les cordons d'alimentation ou rallonges endommagés présentent un risque d'électrocution.
- **Ne malmenez pas le cordon. N'utilisez jamais le cordon pour porter, tirer ou débrancher l'appareil. Maintenez le cordon d'alimentation à l'écart de la chaleur, de l'huile, des bords tranchants ou des pièces mobiles.** Les fils endommagés ou emmêlés augmentent le risque de choc électrique.
- **Lorsque vous utilisez un appareil électrique à l'extérieur, utilisez uniquement une rallonge électrique adaptée à un usage extérieur.** L'utilisation d'une rallonge adaptée à un usage extérieur réduit le risque d'électrocution.
- **En cas d'interruption de l'alimentation électrique, éteignez l'appareil et débranchez-le de la prise secteur.**

- **N'utilisez jamais l'appareil s'il est sale ou humide.** La poussière (en particulier la poussière provenant de matériaux conducteurs) ou l'humidité adhérent à la surface de l'appareil peuvent, dans des conditions défavorables, entraîner une électrocution. **Les appareils sales ou poussiéreux doivent donc être vérifiés à intervalles réguliers par un atelier de réparation agréé, en particulier s'ils sont fréquemment utilisés pour travailler sur des matériaux conducteurs.**
- **Si vous n'avez pas d'autre choix que d'utiliser un appareil électrique dans un endroit humide, utilisez une alimentation protégée par un disjoncteur différentiel de fuite à la terre (RCD).** L'utilisation d'un RCD réduit le risque de choc électrique.
- Effectuez régulièrement des tests de sécurité électrique sur le produit. Reportez-vous à la réglementation locale pour connaître la procédure correcte.
- **La connaissance des outils, acquise par l'usage fréquent de ces derniers, ne doit pas vous dispenser d'être prudent et d'appliquer les principes de sécurité.** Une action inconsiderée peut provoquer de graves blessures en une fraction de seconde.

## Utilisation et entretien du produit

- **Ne forcez pas le produit. Utilisez le produit convenant à l'application.** Le produit approprié réalisera mieux son travail et de façon plus sûre, à la vitesse pour laquelle il a été conçu.
- **N'utilisez pas le produit si l'interrupteur ne permet pas la mise sous tension ou l'arrêt.** Tout produit impossible à commander avec l'interrupteur est dangereux et doit être réparé.
- **Débranchez la fiche de la prise et/ou retirez la batterie, si celle-ci est amovible, avant de procéder aux réglages, de changer les accessoires ou de stocker le produit.** Ces mesures de sécurité préventive réduisent le risque de mise sous tension accidentelle du produit.

## Sécurité du personnel

- **Restez attentif, regardez ce que vous faites et ayez recours à votre bon sens lorsque vous utilisez le produit. N'utilisez pas le produit si vous êtes fatigué ou sous l'emprise de drogues, d'alcool ou de médicaments.** Un moment d'inattention pendant l'utilisation du produit peut entraîner des blessures corporelles graves.
- **Utilisez un équipement de protection personnelle. Travaillez toujours avec des lunettes de protection.** Les équipements de protection tels que le masque anti-poussière, les chaussures de sécurité antidérapantes, le casque ou le protège-oreilles utilisés dans des conditions appropriées réduisent les blessures corporelles.
- **Évitez tout démarrage intempestif. Vérifiez que l'interrupteur est en position d'arrêt avant de brancher le produit sur l'alimentation et/ou la batterie, de le ramasser ou de le transporter.** Le fait de garder le doigt sur l'interrupteur pendant le transport du produit ou de mettre le produit sous tension alors que l'interrupteur est en position de marche expose à des accidents.
- **Retirez toute clé ou clavette de réglage avant de mettre le produit sous tension.** Une clé ou une clavette reliée à une pièce rotative du produit peut entraîner des blessures corporelles.
- **Ne vous éloignez pas trop. Restez toujours en équilibre et sur vos appuis.** Cela favorise le contrôle du produit dans les situations inattendues.
- **Habilitez-vous correctement. Ne portez jamais de vêtements amples ou de bijoux. Éloignez vos cheveux et vos vêtements des pièces mobiles.** Les vêtements amples, les bijoux et les cheveux longs peuvent être happés par les pièces en mouvement.
- **Si des dispositifs sont fournis pour raccorder des systèmes de collecte et d'extraction de la poussière, vérifiez qu'ils sont correctement branchés et utilisés.** L'utilisation de systèmes de collecte de poussière peut réduire les risques associés à la poussière.
- **Maintenez les outils tranchants aiguisés et propres.** Des outils tranchants correctement entretenus avec des bords aiguisés sont moins susceptibles de se coincer et sont plus faciles à contrôler.
- **Utilisez le produit, les accessoires, les mèches, etc. en suivant ces consignes et en tenant compte des conditions de travail et de la tâche à réaliser.** L'utilisation du produit pour des opérations autres que celles pour lesquelles il a été prévu peut entraîner des situations dangereuses.
- **Les poignées et les surfaces de maintien doivent toujours être propres, sèches et sans traces d'huile ni de graisse.** Les poignées et les surfaces de maintien glissantes ne permettent pas une manipulation et un contrôle sûrs de l'outil dans des situations inattendues.

## Utilisation et entretien d'un outil à batterie

- **Ne rechargez la machine qu'avec le chargeur indiqué par le fabricant.** Un chargeur convenant à un type de bloc de batteries particulier peut entraîner un risque d'incendie s'il est utilisé avec un autre bloc.
- **Utilisez les produits uniquement avec les batteries spécifiquement préconisées.** L'utilisation d'une autre batterie peut entraîner un risque de blessure et d'incendie.

- Lorsque la batterie n'est pas utilisée, maintenez-la à distance d'objets métalliques, tels que des trombones, pièces de monnaie, clés, clous, vis, ou autres petits objets en métal risquant de relier une borne à l'autre. Court-circuiter les bornes de batterie entraîne un risque de brûlures et d'incendie.
- En cas d'utilisation abusive, du liquide peut s'échapper de la batterie ; évitez tout contact. En cas de contact accidentel, rincez à l'eau. En cas de contact avec les yeux, consultez un médecin. Le liquide échappé de la batterie peut causer irritations et brûlures.
- N'utilisez pas un bloc batterie ou un outil endommagé ou modifié. Les batteries endommagées ou modifiées peuvent présenter un comportement imprévisible pouvant provoquer un incendie, une explosion ou un risque de blessure.
- N'exposez pas un bloc batterie ou un outil au feu ou à des températures trop élevées. L'exposition au feu ou à des températures supérieures à 130 °C / 265 °F peut provoquer une explosion.
- Respectez toutes les instructions de charge et ne chargez pas le bloc batterie ou l'outil en dehors de la plage de température spécifiée dans les instructions. Ne pas charger la batterie correctement ou la charger à des températures comprises en dehors de la plage spécifiée peut endommager la batterie et augmenter le risque d'incendie.

## Service

- Seul un centre d'entretien agréé peut effectuer l'entretien à l'aide de pièces de rechange homologuées. Cela permet de protéger le produit.
- N'effectuez aucun entretien ou n'ouvrez pas les batteries. Seul un centre d'entretien agréé doit effectuer l'entretien des batteries.
- Reportez-vous à *Calendrier d'entretien à la page 81* pour obtenir plus d'informations.

## Consignes de sécurité pour l'assemblage



**AVERTISSEMENT:** Lisez les instructions et les mises en garde qui suivent avant d'assembler le produit.

- Les modifications et accessoires non autorisés peuvent entraîner des blessures graves, voire mortelles à l'utilisateur ou aux autres personnes présentes.
- Utilisez uniquement les accessoires comme décrit dans ce manuel. Utilisez uniquement des accessoires recommandés par le fabricant.
- Assurez-vous que la zone d'assemblage est stable afin d'éviter que le produit ne se renverse. Risques de blessures et de dégâts matériels.
- Faites preuve de prudence, car les fixations à bascule peuvent blesser l'opérateur lors de l'assemblage du produit.

## Instructions de sécurité pour le fonctionnement



**AVERTISSEMENT:** Lisez les instructions qui suivent avant d'utiliser le produit.

- Si le produit ne fonctionne pas correctement, heurte le sol, est endommagé, laissé à l'extérieur ou tombe dans l'eau, arrêtez le produit. Faites réparer le produit par un atelier de réparation homologué.
- Veillez à ce que le moteur et toutes les commandes soient coupés avant de débrancher la batterie.
- Lorsque le produit n'est pas utilisé, débranchez la batterie avant de procéder à l'entretien ou avant de vous éloigner du produit.
- N'utilisez pas le produit si vous ne pouvez pas être secouru en cas d'accident.
- Familiarisez-vous avec les commandes et le bon fonctionnement du produit avant de l'utiliser.
- Ne faites pas fonctionner le produit à des températures inférieures à -10 °C.
- N'utilisez pas le produit dans des endroits présentant un risque d'explosion ou dans des zones contenant des liquides ou des matériaux inflammables.
- Ne placez pas d'objets dans les ouvertures.
- N'utilisez pas le produit si une ouverture est obstruée. Retirez la poussière, les peluches, les cheveux ou tout autre matériau susceptible de réduire le débit d'air.
- N'utilisez jamais l'appareil avec les mains mouillées.
- Maintenez les cheveux, les vêtements amples et toutes les parties du corps à l'écart des ouvertures et des pièces mobiles.
- Utilisez le produit avec précaution dans les escaliers pour éviter tout dommage ou blessure en cas de chute du produit.
- Bloquez toujours les roues de transport en cas de travail sur une surface irrégulière.
- Identifiez les éventuels personnes, objets et situations susceptibles de nuire à la sécurité du fonctionnement du produit.
- Assurez-vous de toujours pouvoir couper le moteur rapidement en cas d'urgence.
- Si le produit ne fonctionne pas correctement, arrêtez-le.
- N'utilisez pas le produit sans Longopac et sans filtres installés. Remplacez le sac Longopac et les filtres comme indiqué dans ce manuel.
- Déposez toujours le bloc batterie avant de vous éloigner du produit.
- Si le produit présente un niveau de vibrations ou sonore inhabituel, arrêtez-le immédiatement et déposez la batterie. Vérifiez que le produit n'est pas endommagé. Des vibrations inhabituelles sont généralement le signe d'un dommage. Réparez les

éventuels dommages ou demandez à un atelier spécialisé agréé de procéder aux réparations.

- Utilisez uniquement des accessoires homologués. Pour plus d'informations, contactez votre représentant Husqvarna.

## Équipement de protection individuel



**AVERTISSEMENT:** Lisez les instructions qui suivent avant d'utiliser le produit.

- Portez toujours un équipement de protection individuel homologué lorsque vous utilisez le produit. L'équipement de protection individuel ne protège pas complètement des blessures, mais il diminue la gravité des blessures en cas d'accident. Faites appel à votre revendeur pour vous aider à sélectionner l'équipement de protection individuel adéquat.
- Vérifiez régulièrement l'état de votre équipement de protection individuel.
- Utilisez un casque de protection homologué.
- Utilisez des protège-oreilles homologués.
- Utilisez une protection respiratoire homologuée de classe P2 ou supérieure.
- Utilisez des protections pour les yeux homologuées.
- Utilisez des gants de protection.
- Utilisez des chaussures de protection.

## Consignes de sécurité pour l'entretien



**AVERTISSEMENT:** Lisez les instructions qui suivent avant d'effectuer l'entretien du produit.

- Retirez la batterie avant tout entretien, contrôle ou assemblage du produit.
- L'utilisateur ne doit effectuer que les travaux de maintenance et d'entretien décrits dans ce manuel d'utilisation. Adressez-vous à votre revendeur pour toute opération de maintenance et d'entretien de plus grande ampleur.
- Ne nettoyez pas la batterie ou le chargeur de batterie avec de l'eau. L'utilisation de détergents agressifs peut endommager le plastique.
- Un défaut d'entretien réduit le cycle de vie du produit et augmente le risque d'accidents.
- Une formation spéciale est nécessaire pour tous les travaux d'entretien et de réparation, en particulier pour les dispositifs de sécurité sur le produit. Si tous les contrôles spécifiés dans ce manuel d'utilisation ne sont pas validés après l'entretien, consultez votre revendeur. Nous garantissons la disponibilité d'un service de réparation et d'entretien professionnel pour votre produit.
- Utilisez uniquement les pièces de rechange d'origine.

## Dispositifs de sécurité sur le produit



**AVERTISSEMENT:** Lisez les instructions qui suivent avant d'utiliser le produit.

- N'utilisez jamais un produit dont les équipements de sécurité sont défectueux. Si les contrôles ne donnent pas de résultat positif, confiez le produit à un atelier spécialisé.
- N'utilisez pas le produit si des plaques de protection, des capots de protection, des interrupteurs de sécurité ou d'autres dispositifs de protection ne sont pas fixés ou sont défectueux.

## Utilisez toujours votre bon sens



**AVERTISSEMENT:** Vous ne devez en aucun cas modifier la conception d'origine du produit sans l'approbation du fabricant. Utilisez toujours les pièces de rechange d'origine. Les modifications et/ou accessoires non autorisés peuvent entraîner des blessures très graves, voire mortelles de l'utilisateur ou d'autres personnes présentes.



**AVERTISSEMENT:** L'utilisation de produits tels que les découpeuses, les meuleuses ou les foreuses pour poncer ou découper un matériau peut produire de la poussière et des vapeurs susceptibles de contenir des substances chimiques dangereuses. Vérifiez la nature du matériau que vous souhaitez travailler et utilisez un masque respiratoire approprié.

Il est impossible de prévoir toutes les situations que vous pouvez rencontrer lorsque vous utilisez ce produit. Soyez toujours prudent et utilisez votre bon sens. Évitez les situations que vous n'êtes pas sûr de pouvoir maîtriser. Si, après avoir lu ces instructions, vous n'êtes toujours pas sûr de la procédure à suivre, demandez conseil à un expert avant de poursuivre.

N'hésitez pas à contacter votre représentant Husqvarna si vous avez des questions sur l'utilisation du produit. Nous sommes à votre disposition et vous conseillons avec plaisir pour vous aider à utiliser votre produit en toute sécurité et de façon efficace.

Laissez à votre revendeur Husqvarna le soin de contrôler régulièrement le produit et d'effectuer les réglages et les réparations nécessaires.

Husqvarna AB travaille continuellement au développement de ses produits. Husqvarna se réserve le droit de modifier la conception et l'aspect de ses produits sans préavis et sans autres engagements.



Toutes les informations et toutes les données indiquées dans le manuel de l'opérateur étaient valables à la date à laquelle ce manuel a été porté à l'impression.

## Utilisation

### À faire avant de démarrer le produit

**Remarque:** Les conditions de fonctionnement sont une altitude maximale de 800 m/2 625 pieds, une température comprise entre 10 °C/14 °F et 40 °C/104 °F et une humidité de 85 %.

**Remarque:** Lisez attentivement le manuel d'utilisation de l'équipement fixé. Si des exigences ou des réglages spécifiques sont indiqués pour l'extracteur de poussière, veillez à les respecter.

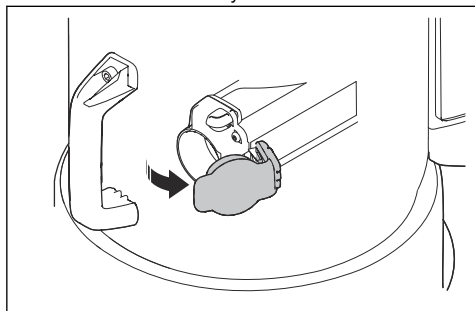
1. Lisez attentivement le manuel d'utilisation et assurez-vous de bien comprendre les instructions.
2. Effectuez l'entretien quotidien. Reportez-vous à la section *Calendrier d'entretien à la page 81*.
3. Assurez-vous que la zone de travail est propre et lumineuse.
4. Utilisez un équipement de protection personnelle. Reportez-vous à la section *Équipement de protection individuel à la page 72*.
5. Assurez-vous que le produit est installé correctement.
6. Assurez-vous que la batterie est complètement chargée.

### Pour fixer le tuyau d'extraction de poussière

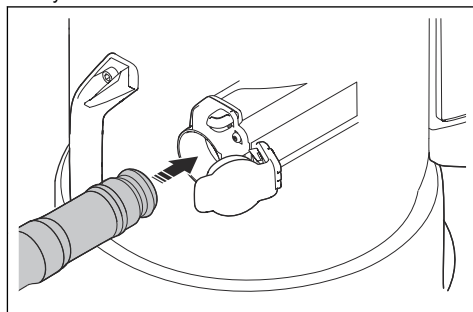


**AVERTISSEMENT:** Utilisez un tuyau antistatique pour éviter les effets antistatiques.

1. Ouvrez le raccord de tuyau.



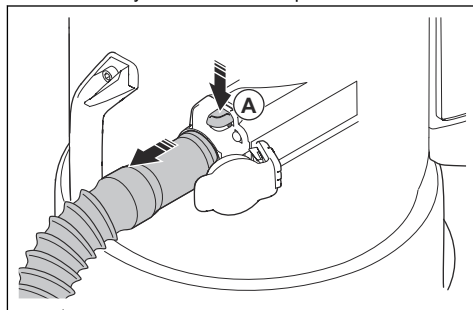
2. Placez l'adaptateur de tuyau dans le raccord de tuyau.



3. Poussez l'adaptateur de tuyau jusqu'à ce que vous entendiez un clic pour le positionner correctement.

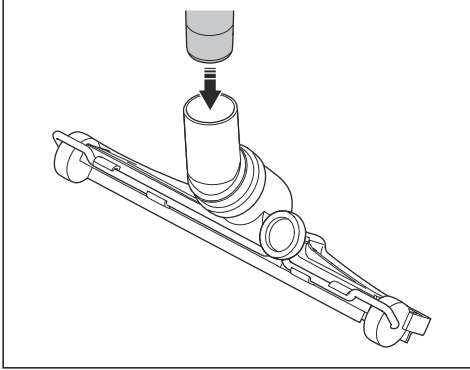
### Pour retirer le tuyau d'extraction de poussière

- Appuyez sur le bouton de verrouillage du tuyau (A) et tirez le tuyau d'extraction de poussière.

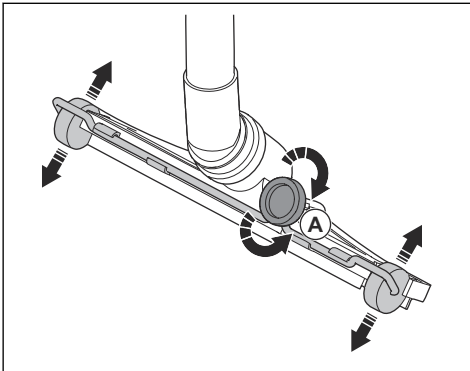


## Pour fixer et régler la brosse pour le sol

1. Placez l'extrémité de la poignée complètement dans l'arbre de la brosse pour le sol.



2. Tournez le bouton (A) à l'arrière de la brosse pour le sol pour régler les roues de la brosse pour le sol. Différentes surfaces et différents types de poussière et de matériaux rendent nécessaire le réglage des roues pour obtenir les meilleures performances.



## Bluetooth® technologie sans fil

Les produits dotés de la technologie sans fil Bluetooth® intégrée peuvent se connecter aux appareils mobiles et activer des fonctionnalités supplémentaires à partir de la connexion Husqvarna.

Le symbole de la technologie sans fil *Bluetooth*® s'allume lorsque votre appareil mobile est connecté au produit.



## Pour utiliser la connectivité intégrée avec Fleet

**Remarque:** Cette pièce s'applique uniquement aux produits fournis avec une connectivité intégrée.

**Remarque:** La transmission radio grâce à la fonction Bluetooth® est activée lors du premier branchement à une prise secteur, et le reste par la suite.

1. Téléchargez l'application Husqvarna Fleet Services iOS ou Android Husqvarna Fleet Services.
2. Pour plus d'informations, rendez-vous sur le site Web Husqvarna Fleet Services <https://fleetservices.husqvarna.com>.

## Pour brancher le chargeur de batterie

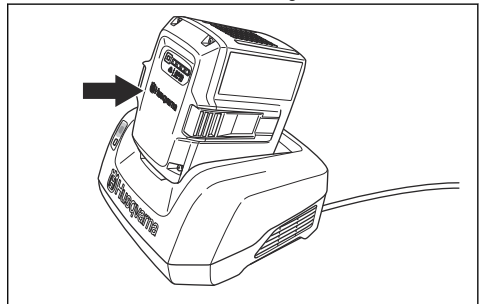
1. Branchez le chargeur de batterie sur une prise électrique dont les caractéristiques de tension et de fréquence correspondent aux spécifications mentionnées sur la plaque signalétique.
2. Branchez le cordon dans une prise électrique mise à la terre. La DEL sur le chargeur de batterie clignote une fois en vert.

**Remarque:** La batterie ne charge pas si la température de la batterie est supérieure à 50 °C/122 °F. Si la température est supérieure à 50 °C/122 °F, le chargeur de batterie refroidit la batterie avant que la batterie ne charge.

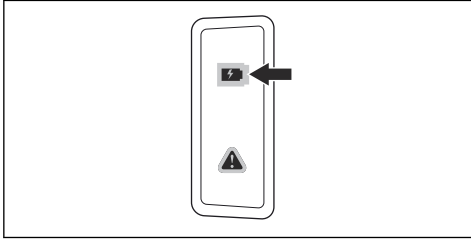
## Connexion de la batterie au chargeur de batterie

**Remarque:** Chargez la batterie si vous l'utilisez pour la première fois. Une batterie neuve n'est chargée qu'à 30 %.

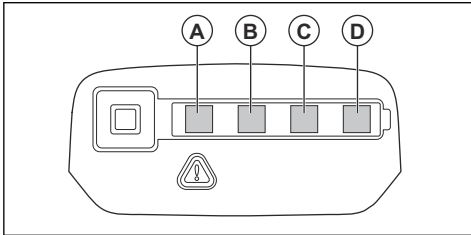
1. Assurez-vous que la batterie est sèche.
2. Placez la batterie dans le chargeur de batterie.



- Assurez-vous que le témoin de charge vert du chargeur de batterie s'allume. La présence de ce témoin signifie que la batterie est correctement connectée au chargeur de batterie.



- La batterie est totalement rechargée quand toutes les DEL sur la batterie sont allumées.



- Pour débrancher le chargeur de batterie de la prise d'alimentation secteur, tirez sur la fiche. Ne tirez pas sur le câble.
- Dégagez la batterie du chargeur de batterie.

**Remarque:** Reportez-vous aux manuels de la batterie et du chargeur de batterie pour plus d'informations.

## Pour verrouiller et déverrouiller les roues de transport

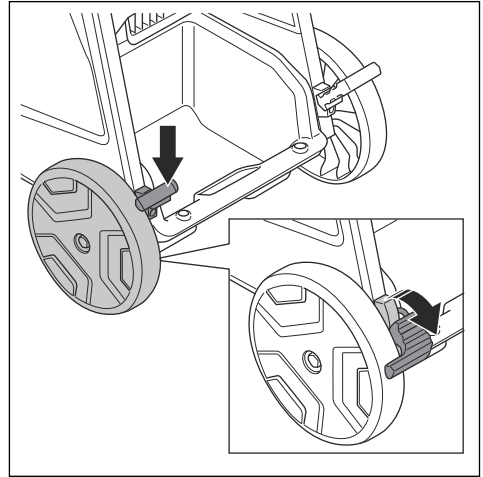
Pour une utilisation sur une surface en pente, il est nécessaire de verrouiller les roues de transport.



**AVERTISSEMENT:** Les roues et les roulements doivent être propres et exempts de poussière pour un fonctionnement sûr. Reportez-vous à la section *Calendrier d'entretien à la page 81*.

- Maintenez le produit dans une position fixe et sûre.

- Appuyez sur le frein de chaque côté pour bloquer les roues.

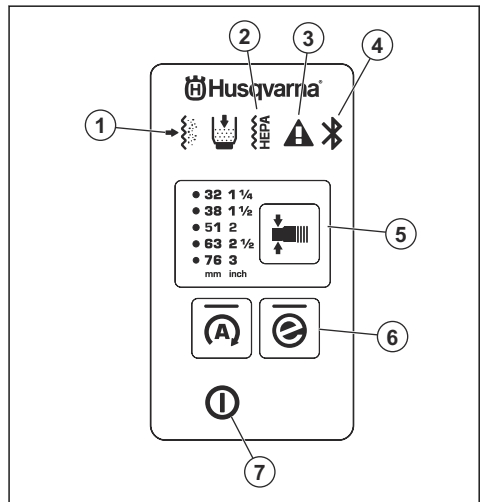


**Remarque:** Le DE110i H dispose d'un seul frein de roue.

- Tirez les freins de roue vers le haut pour déverrouiller les roues.

## Fonctions du panneau de commande

Le panneau de commande contrôle et surveille les fonctions et configurations importantes du produit. Reportez-vous à la section *Avertissements sur le panneau de commande à la page 87* pour accéder à des solutions concernant les avertissements.



1. Le préfiltre est colmaté. Reportez-vous à la section *Élimination des particules de poussière du préfiltre pendant le fonctionnement à la page 78.*
2. Le filtre HEPA est colmaté, endommagé ou manquant. Reportez-vous à la section *Avertissements sur le panneau de commande à la page 87.*
3. Avertissement. Reportez-vous à la section *Avertissements sur le panneau de commande à la page 87.*
4. Connexion Bluetooth®. Reportez-vous à la section *Pour utiliser la connectivité intégrée avec Fleet à la page 74.*
5. Fonction de changement de diamètre pour le tuyau, reportez-vous à *Pour sélectionner le diamètre de la buse de tuyau à la page 76*
6. bouton e-Flow, reportez-vous à *Fonction e-Flow à la page 76*
7. Bouton ON/OFF

### Fonction e-Flow





Ce produit est équipé d'une fonction e-Flow. Cette fonction ajuste automatiquement le débit d'air à la charge de travail pour des performances optimales. Le produit démarre toujours avec les derniers paramètres utilisés.

Reportez-vous à la section *Fonctions du panneau de commande à la page 75* pour engager ou désengager la fonction.

### Système d'avertissement de débit d'air

Le débit d'air dans le tuyau d'aspiration doit être supérieur à 20 m/s (66 pi/s).

Pour connaître le débit d'air minimum avec le diamètre de tuyau sélectionné, reportez-vous au tableau.

| DE 110i H  |  | DE 120 H PACE   |  |
|--|--|---|--|
|  max. Ø |  min |  max. Ø |  min |
| po (mm)  | CFM (m³/h)   | po (mm)   | CFM (m³/h)   |
| 1 (27)   | 24 (41)  | 1 ½ (38)  | 48 (82)  |
| 1 ¼ (32)   | 34 (58)  | 1 ¾ (42)  | 59 (100)   |
| 1 ½ (38)   | 48 (82)  | 2 (51)  | 87 (147)   |
| 1 ¾ (42)   | 59 (100)   | 2 1/2 (63)  | 132 (224)  |
| 2 (51)   | 87 (147)   | 3 (76)  | 192 (327)  |

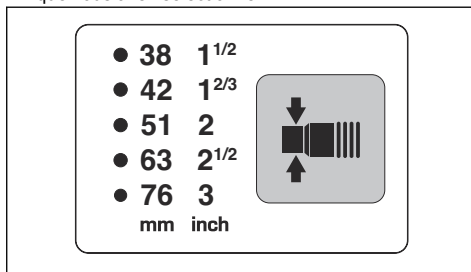
**Remarque:** Si le débit d'air est inférieur à 20 m/s (66 pi/s), l'alarme sonore retentit et le symbole d'avertissement s'allume. Reportez-vous à *Avertissements sur le panneau de commande à la page 87.*

### Pour sélectionner le diamètre de la buse de tuyau

**Remarque:** Si le diamètre de tuyau sélectionné n'est pas correct, le système d'avertissement de débit d'air s'allume.

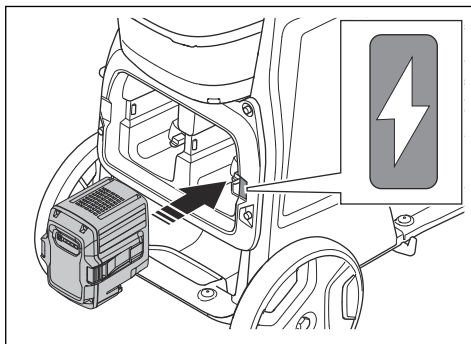
Lorsque vous démarrez le produit, le dernier diamètre de tuyau sélectionné est automatiquement sélectionné.

- Appuyez sur le bouton pour sélectionner le diamètre de tuyau correct. La LED verte indique le diamètre que vous avez sélectionné.



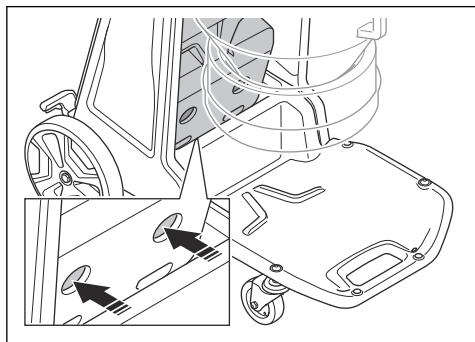
### Pour installer et déposer la batterie

1. Placez la batterie dans le support de batterie. Le symbole d'électricité indique quel support est sous tension.

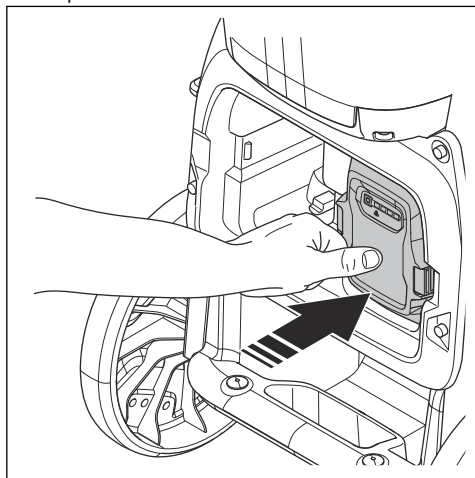


**REMARQUE:** Assurez-vous que la batterie est correctement installée dans le support de batterie. Si la batterie ne bouge pas facilement dans son support, c'est qu'elle n'est pas installée correctement.

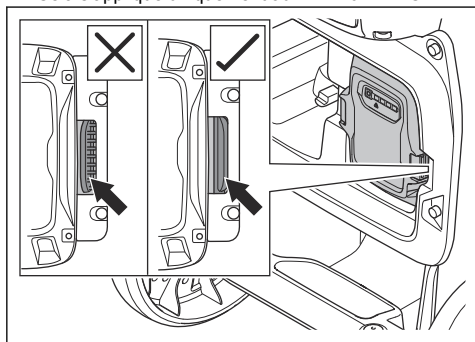
- Retirez une batterie bloquée en la poussant à travers les trous d'accès.



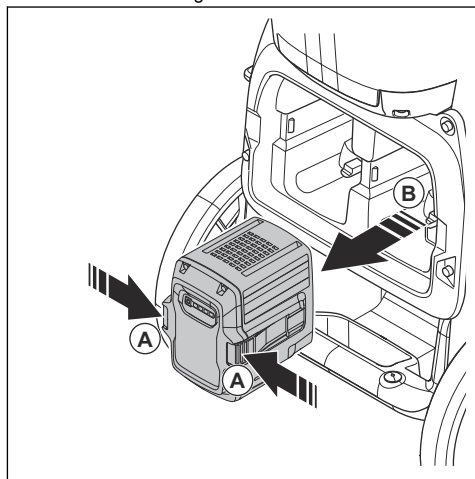
- Appuyez sur la partie inférieure de la batterie jusqu'à ce que vous entendiez un dé clic.



- Vérifiez que la batterie est correctement installée en examinant l'indicateur de verrouillage de la batterie. Cela s'applique uniquement au DE 120 H PACE.



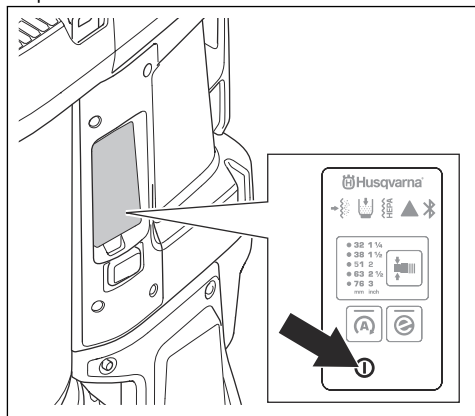
- Appuyez sur les boutons de libération de la batterie (A) et déposez la batterie (B) de son support pour éviter tout démarrage accidentel.



## Pour démarrer et arrêter

**Remarque:** L'aspiration n'est pas à pleine capacité directement au démarrage. Elle fonctionne complètement après 5 secondes.

- Installez la batterie. Reportez-vous à la section *Pour installer et déposer la batterie à la page 76*.
- Appuyez sur le bouton On/Off pour démarrer le produit.



- Sélectionnez le diamètre de tuyau correct. Reportez-vous à la section *Pour sélectionner le diamètre de la buse de tuyau à la page 76*.
- Pour arrêter le produit, appuyez sur le bouton On/Off et maintenez-le enfoncé jusqu'à ce que la LED verte s'éteigne.

- Retirez la batterie du support de batterie. Reportez-vous à la section *Pour installer et déposer la batterie à la page 76*.

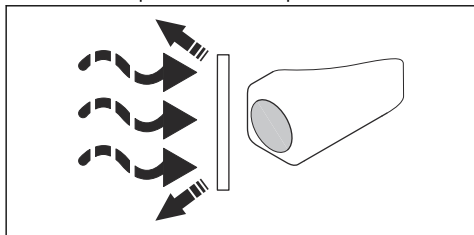
## Compteur horaire

Le compteur horaire indique la durée totale de fonctionnement du produit en heures.

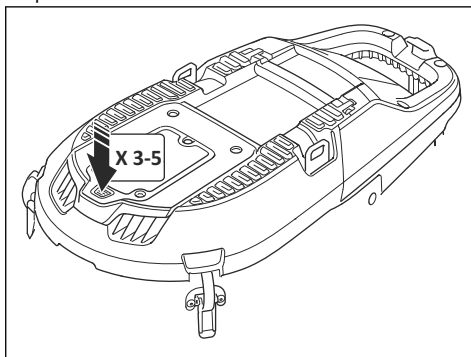
## Élimination des particules de poussière du préfiltre pendant le fonctionnement

La procédure de purge du filtre nettoie les matériaux indésirables du préfiltre. Effectuez la procédure dans les situations suivantes :

- Avant un arrêt de travail ou à la fin de chaque journée de travail. Si le produit est éteint pendant un certain temps, la poussière a plus de temps pour retomber. La procédure de purge du filtre est ainsi plus efficace.
  - Lorsque l'aspiration est insuffisante.
  - Avant l'installation d'un nouveau sac Longopac.
  - Lorsque l'alarme de préfiltre colmaté se déclenche.
- Arrêtez le produit et laissez la poussière retomber dans le sac Longopac.
  - Faites démarrer le produit. Reportez-vous à *Pour démarrer et arrêter à la page 77*.
  - Coupez le débit d'air qui traverse la prise d'air à l'aide du bouchon de prise d'air ou de la soupape d'admission pour créer une dépression.



- Attendez 5 secondes que la dépression se fasse, puis appuyez sur le bouton de purge du filtre. Effectuez cette étape 3 à 5 fois. Il est important de laisser le produit créer une dépression entre chaque pression sur le bouton.



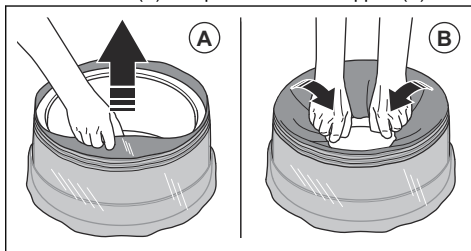
Si l'aspiration n'est pas suffisante après cette procédure, il est nécessaire de nettoyer le préfiltre avec de l'eau. Reportez-vous à *Pour nettoyer le préfiltre avec de l'eau à la page 83*.

## Pour installer une cassette de sac Longopac neuve

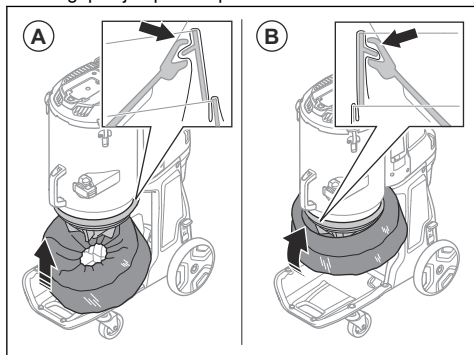


**REMARQUE:** Nettoyez le préfiltre avant d'installer une cassette Longopac neuve. Reportez-vous à la section *Pour nettoyer le préfiltre avec de l'eau à la page 83*.

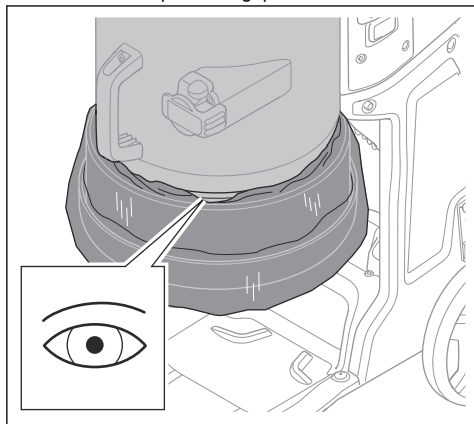
- Posez la cassette Longopac autour du bord intérieur du support Longopac.
- Retirez les 4 sangles après avoir placé le Longopac dans le support.
- Tirez la couche intérieure de la cassette Longopac vers le haut (A) et repliez-la dans le support (B).



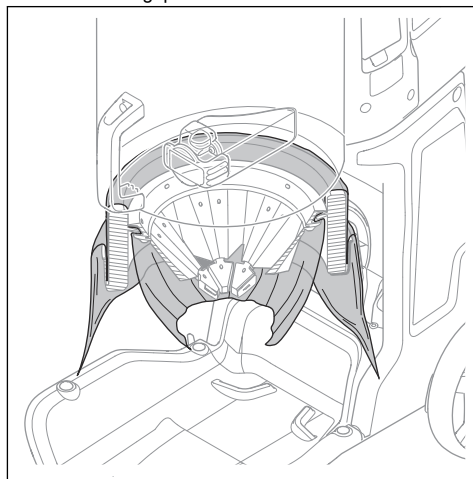
4. Fixez le support Longopac à l'arrière du conteneur (A). Fixez ensuite le support Longopac sur les côtés et à l'avant du conteneur (B). Appuyez sur le support Longopac jusqu'à ce que vous entendiez un clic.



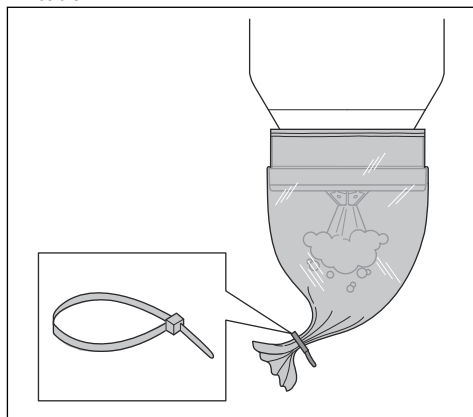
5. Assurez-vous que le Longopac est étanche.



6. Tirez vers le bas sur la couche extérieure de la cassette Longopac.



7. Fermez la base du Longopac à l'aide d'un serre-câble.

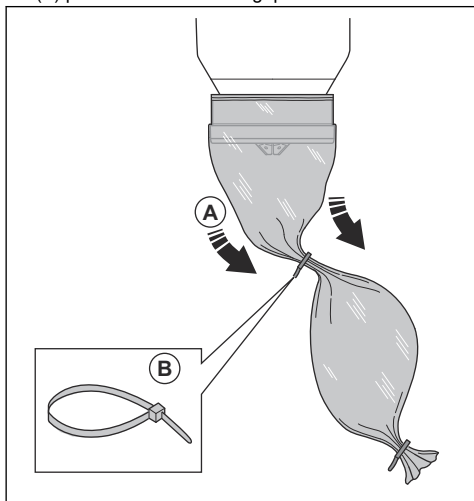


### Pour jeter un sac Longopac plein et préparer un sac Longopac neuf

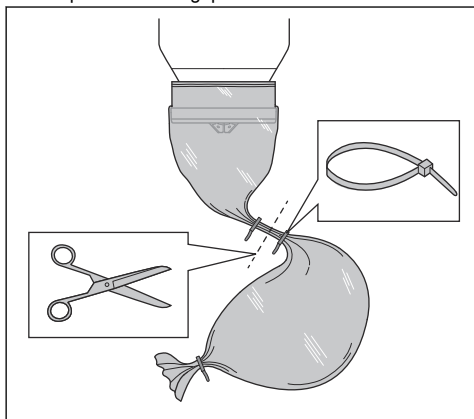


**AVERTISSEMENT:** Soulevez le sac Longopac avec précaution ; un sac Longopac plein peut être lourd. Assurez-vous que les serre-câbles sont correctement fermés avant de soulever le sac Longopac.

1. Retirez le sac Longopac (A) et fixez un serre-câble (B) pour fermer le sac Longopac neuf.



2. Secouez la poussière du sac Longopac usagé.
3. Fixez un serre-câble de 10 cm/3,9 pi sous le premier serre-câble pour fermer le sac Longopac usagé. Coupez le sac Longopac entre les serre-câbles.



4. Si la partie restante de la cassette de sac Longopac est trop petite pour préparer un sac Longopac neuf, installez une cassette de sac Longopac neuve. Reportez-vous à la section *Pour installer une cassette de sac Longopac neuve à la page 78*.
5. Respectez les réglementations locales relatives à la mise au rebut du sac Longopac plein.

## À faire une fois le travail terminé

1. Effectuez la procédure de purge du filtre. Reportez-vous à la section *Élimination des particules de poussière du préfiltre pendant le fonctionnement à la page 78*.
2. Arrêtez le produit, reportez-vous à *Pour démarrer et arrêter à la page 77*.
3. Jetez le sac Longopac. Reportez-vous à la section *Pour jeter un sac Longopac plein et préparer un sac Longopac neuf à la page 79*.
4. Nettoyez le produit. Reportez-vous à la section *Nettoyage du produit à la page 82*.
5. Préparez le produit pour le transport. Reportez-vous à la section *Pour déplacer le produit sur de longues distances à la page 90*.

## Entretien

### Présentation



**AVERTISSEMENT:** assurez-vous de lire et de comprendre le chapitre sur la sécurité avant de procéder à l'entretien du produit.



**AVERTISSEMENT:** retirez la batterie avant de procéder à l'entretien du produit.



**AVERTISSEMENT:** Le non-respect des procédures d'entretien peut réduire la durée de vie du produit et augmenter le risque d'accident. Toutes les opérations d'entretien et/ou de réparation



doivent également être réalisées par un professionnel. Contactez votre revendeur pour de plus amples informations.

pour éliminer correctement la poussière dangereuse avant et pendant l'entretien.



**AVERTISSEMENT:** Veuillez à respecter toutes les réglementations locales

## Calendrier d'entretien

Les intervalles d'entretien sont calculés selon une utilisation quotidienne du produit. Les intervalles sont différents si le produit n'est pas utilisé tous les jours.

| Entretien   | Avant chaque utilisation | Tous les jours | Toutes les semaines | En cas d'aspiration faible | Tous les 12 mois ou toutes les 600 h | Tous les 24 mois ou toutes les 2 000 h |
|---|--------------------------|----------------|---------------------|----------------------------|--------------------------------------|--|
| Effectuez la procédure de purge du filtre. Reportez-vous à <i>Élimination des particules de poussière du préfiltre pendant le fonctionnement à la page 78.</i>                                    | X                        |                |                     |                            |                                      |  |
| Recherchez des signes d'usure ou de détérioration du cône d'évacuation de la poussière en caoutchouc.   | X                        |                |                     |                            |                                      |  |
| Recherchez des signes d'usure, de dommages ou des raccords desserrés au niveau des commandes avant de brancher l'unité.   | X                        |                |                     |                            |                                      |  |
| Vérifiez le tuyau et les raccords de tuyau.   | X                        |                |                     |                            |                                      |  |
| Recherchez des signes d'usure ou de détérioration des pièces en plastique.  | X                        |                |                     |                            |                                      |  |
| Vérifiez les œillets de levage.   | X                        |                |                     |                            |                                      |  |
| Assurez-vous que le Longopac est correct et correctement fixé. Reportez-vous à <i>Pour installer une cassette de sac Longopac neuve à la page 78.</i>   |                          | X              |                     |                            |                                      |  |
| Vérifiez la fonction de purge du filtre.  |                          | X              |                     |                            |                                      |  |
| Vérifiez les roues. Recherchez des dommages et des mauvais raccords.  |                          |                | X                   |                            |                                      |  |
| Vérifiez les joints du filtre   |                          |                | X                   |                            |                                      |  |
| Effectuez la procédure de purge du filtre. Si l'aspiration reste insuffisante, nettoyez le préfiltre avec de l'eau. Reportez-vous à <i>Pour nettoyer le préfiltre avec de l'eau à la page 83.</i> |                          |                |                     | X                          |                                      |  |
| Remplacez le préfiltre nettoyé si l'aspiration reste insuffisante. Reportez-vous à <i>Pour remplacer le préfiltre à la page 84.</i>   |                          |                |                     | X                          |                                      | X                                      |
| Remplacez le filtre HEPA.   |                          |                |                     | X                          | X                                    |  |
| Remplacez le cône d'évacuation de la poussière en caoutchouc.   |                          |                |                     |                            |                                      | X                                      |

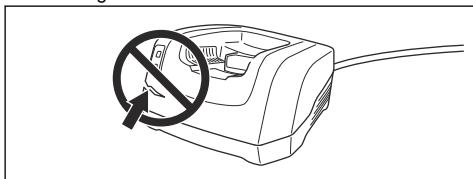
| Entretien  | Avant chaque utilisation | Tous les jours | Toutes les semaines | En cas d'aspiration faible | Tous les 12 mois ou toutes les 600 h | Tous les 24 mois ou toutes les 2 000 h |
|--|--------------------------|----------------|---------------------|----------------------------|--------------------------------------|--|
| Remplacez les pièces en caoutchouc de nettoyage du filtre. |                          |                |                     |                            |                                      | X                                      |

## Pour contrôler le panneau de commande

1. Appuyez sur le bouton On/Off et maintenez-le enfoncé jusqu'à ce que la LED verte s'allume. Reportez-vous à la section *Fonctions du panneau de commande* à la page 75.
2. Appuyez sur le bouton On/Off et maintenez-le enfoncé jusqu'à ce que la LED s'éteigne.

## Pour contrôler le chargeur de batterie

1. Assurez-vous que le chargeur de batterie et le câble d'alimentation ne sont pas endommagés. Recherchez la présence de fissures et d'autres dommages.

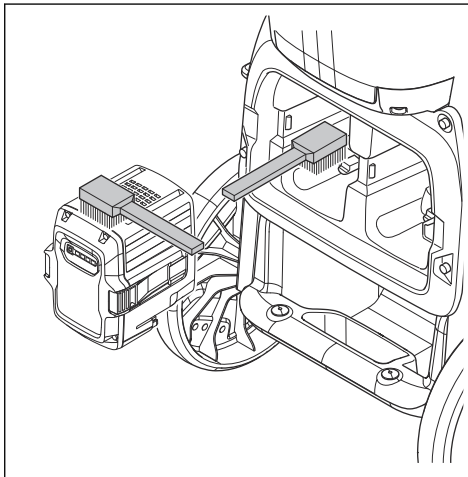


## Contrôle de la batterie et du support de batterie

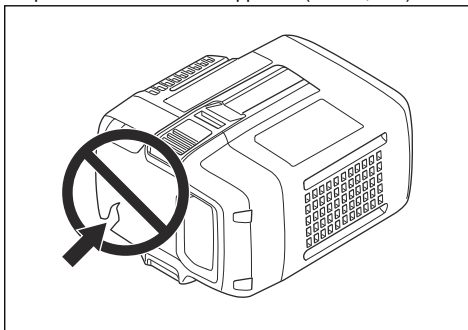


**REMARQUE:** Ne nettoyez pas la batterie ou le chargeur de batterie avec de l'eau.

1. Nettoyez la batterie et son support à l'aide d'une brosse douce.



2. Nettoyez les entrées de refroidissement et les connecteurs de la batterie.
3. Vérifiez que la batterie n'est pas endommagée et ne présente aucun défaut apparent (fissure, etc.).



## Nettoyage du produit

Le fonctionnement peut entraîner une contamination de toutes les pièces du produit et de tous les équipements utilisés. Il est donc nécessaire de nettoyer soigneusement et entièrement toutes les pièces du produit et tous les équipements utilisés.



**AVERTISSEMENT:** Débranchez le produit de l'alimentation électrique.



**AVERTISSEMENT:** Nettoyez le produit avant de le déplacer de la zone de travail. La poussière restante sur le produit peut pénétrer dans l'air et entraîner un risque pour la santé.

- Utilisez un équipement de protection personnelle. Reportez-vous à la section *Équipement de protection individuel* à la page 72.
- Ne nettoyez pas le produit avec un nettoyeur haute pression ou de l'air comprimé.
- Nettoyez la surface externe avec un chiffon humide.
- N'utilisez pas d'eau sur les composants électriques.
- Nettoyez les filtres comme indiqué à la section *Pour nettoyer le préfiltre avec de l'eau* à la page 83 et *Pour remplacer le filtre HEPA* à la page 84.
- Après l'entretien, placez les pièces mises au rebut dans des sacs en plastique. Reportez-vous à la réglementation locale pour connaître la procédure correcte.
- Si vous utilisez de l'eau pour nettoyer le produit, retirez le préfiltre et le Longopac avant le nettoyage. Assurez-vous également que de l'eau ne s'infiltre pas dans le filtre HEPA.

## Pour nettoyer le préfiltre avec de l'eau



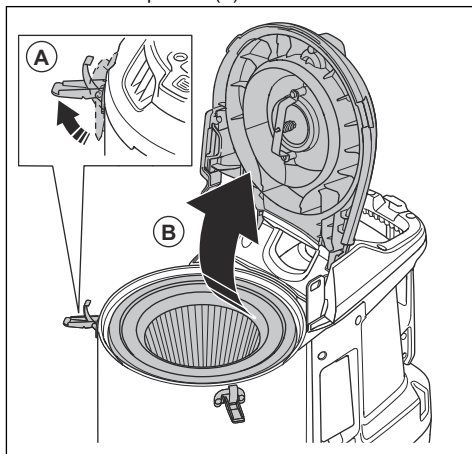
**REMARQUE:** N'utilisez pas de nettoyeur haute pression ou d'air comprimé pour nettoyer le préfiltre. Ne frappez pas le préfiltre avec force pour le nettoyer.



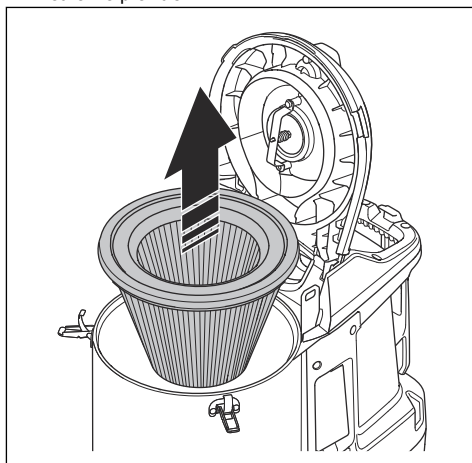
**REMARQUE:** Ne le laissez pas sécher à la lumière du soleil. Les joints sécheraient.

**Remarque:** Le nettoyage avec de l'eau réduit progressivement l'efficacité du filtre.

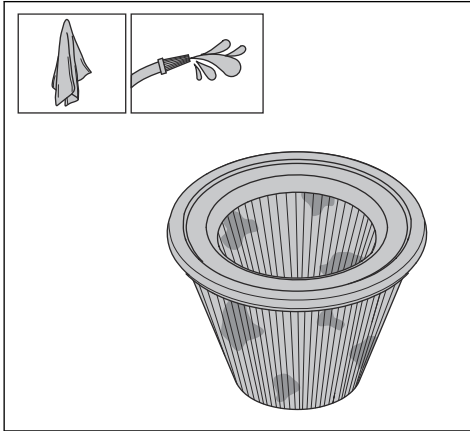
1. Desserrez les verrous du couvercle (A) et ouvrez le couvercle du préfiltre (B).



2. Retirez le préfiltre.



3. Nettoyez le préfiltre à l'eau courante à partir de la surface interne du préfiltre.



**REMARQUE:** La pression de l'eau ne doit pas être supérieure à 4 bar.



**REMARQUE:** Ne heurtez pas et ne faites pas glisser d'éléments sur la surface du filtre car cela endommagerait le filtre.

4. Laissez le préfiltre sécher complètement.



**REMARQUE:** Le préfiltre doit être entièrement sec avant d'être installé dans le boîtier.

5. Posez le préfiltre, fermez le couvercle du préfiltre et serrez les verrous du couvercle.

Si le préfiltre ne peut pas être entièrement nettoyé ou s'il est endommagé, il doit être remplacé. Reportez-vous à la section *Pour remplacer le préfiltre à la page 84*.

## Remplacement du filtre



**AVERTISSEMENT:** Utilisez un équipement de protection personnelle. Reportez-vous à la section *Équipement de protection individuel à la page 72*. De la poussière dangereuse peut être libérée dans l'air lors du remplacement du filtre.



**AVERTISSEMENT:** Avant le remplacement du filtre, arrêtez le produit et débranchez l'alimentation électrique.

## Pour remplacer le préfiltre

1. Retirez le préfiltre. Reportez-vous à la section *Pour nettoyer le préfiltre avec de l'eau à la page 83*.
2. Mettez le filtre à air dans un sac en plastique avec précaution.
3. Mettez correctement au rebut le sac en plastique. Reportez-vous aux réglementations locales.
4. Installez un préfiltre neuf.

Si l'aspiration n'est pas suffisante lors de l'installation d'un préfiltre neuf, il est nécessaire de remplacer le filtre HEPA. Reportez-vous à la section *Pour remplacer le filtre HEPA à la page 84*.

## Pour remplacer le filtre HEPA

Le filtre HEPA ne peut pas être nettoyé. Il est toujours nécessaire de le remplacer par un filtre HEPA neuf. Utilisez uniquement des filtres HusqvarnaHEPA.



**AVERTISSEMENT:** Seul un centre d'entretien agréé ou un organisme agréé est autorisé à remplacer le filtre HEPA.



**AVERTISSEMENT:** Utilisez toujours un équipement de protection individuel ; reportez-vous à *Équipement de protection individuel à la page 72*.



**AVERTISSEMENT:** Les particules présentes dans le filtre HEPA sont dangereuses pour la santé.



**AVERTISSEMENT:** Assurez-vous que le filtre HEPA n'est pas percé. Un filtre HEPA endommagé représente un risque pour la santé.

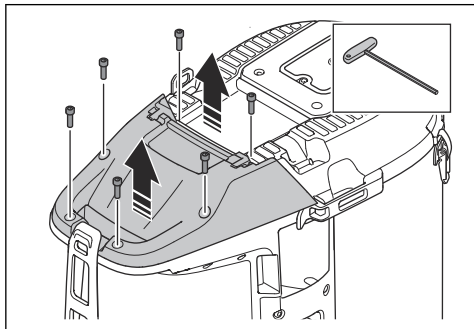


**AVERTISSEMENT:** N'installez pas un filtre HEPA usagé. Si vous installez un filtre HEPA usagé, des fuites et une diminution de l'efficacité de la filtration peuvent se produire.

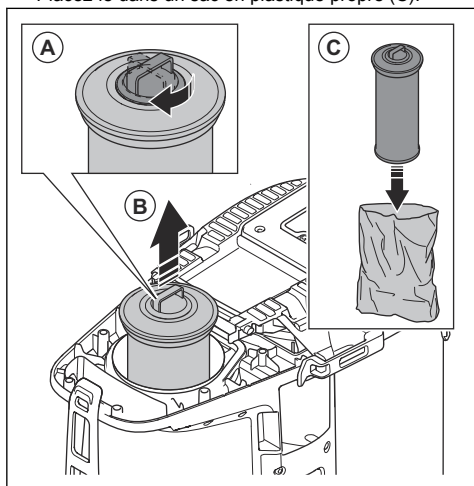


**REMARQUE:** Ne touchez pas la surface interne du filtre HEPA. Cela peut endommager le filtre HEPA.

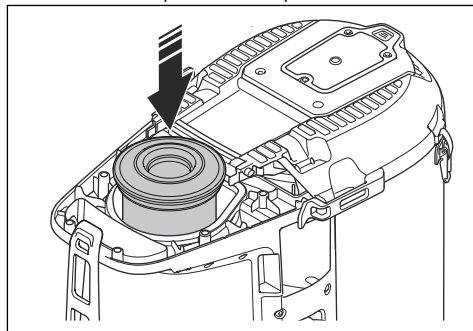
1. Desserrez les 6 vis et retirez le couvercle du filtre HEPA.



2. Fixez le cache-poussière (A) et retirez le filtre HEPA. Placez-le dans un sac en plastique propre (C).



3. Mettez correctement au rebut le sac en plastique. Reportez-vous aux réglementations locales.
4. Installez un filtre HEPA neuf. Assurez-vous que le filtre HEPA est placé dans sa position finale.



5. Installez le couvercle du filtre HEPA et serrez les 6 vis.

## Dépannage

### Schéma de dépannage

| Problème   | Cause  | Solution  |
|--|--|---|
| Le moteur s'arrête immédiatement après le démarrage ou ne démarre pas. | Alimentation électrique absente.                                   | Branchez la batterie au produit.  |
|  | La batterie présente une anomalie.                                 | Vérifiez la batterie ou remplacez-la si nécessaire. Faites réparer le produit par un atelier de réparation homologué. |
|  | La LED verte clignote sur la batterie.                             | Tension de batterie faible. Rechargez la batterie.  |
|  | Le filtre HEPA est endommagé ou n'est pas installé.                | Remplacez ou installez le filtre HEPA.  |
|  | Il y a un court-circuit dans le produit.                           | Faites réparer le produit par un atelier de réparation homologué.   |
|  | Tension d'alimentation trop élevée.                                | Assurez-vous que l'alimentation électrique utilisée est correcte.   |
|  | Température ambiante trop élevée.                                  | Assurez-vous que la température ambiante se trouve dans la plage spécifiée lorsque vous utilisez le produit.          |
|  | Le ventilateur est cassé ou débranché.                             | Faites réparer le produit par un atelier de réparation homologué.   |
| Le moteur est allumé mais il n'y a pas d'aspiration.                   | Le tuyau d'extraction de poussière n'est pas correctement branché. | Branchez le tuyau d'extraction de poussière.  |
|  | Le tuyau d'extraction de poussière est obstrué.                    | Nettoyez le tuyau d'extraction de poussière.  |
|  | Il n'y a aucun Longopac.   | Installez une cassette Longopac.  |
|  | Le Longopac n'est pas fermé à l'aide d'un serre-câble.             | Fixez un serre-câble.   |

| Problème   | Cause   | Solution  |
|--|---|---|
| L'aspiration n'est pas suffisante.                   | Tension d'alimentation trop faible.                     | Assurez-vous que l'alimentation électrique utilisée est correcte.                                       |
|  | Il y a un trou dans le tuyau d'extraction de poussière. | Remplacez le tuyau d'extraction de poussière.   |
|  | Le préfiltre est colmaté.                               | Retirez les particules de poussière du préfiltre. Nettoyez ou remplacez-le si nécessaire.               |
|  | Le filtre HEPA est colmaté.                             | Remplacez le filtre HEPA. Reportez-vous à la section <i>Pour remplacer le filtre HEPA à la page 84.</i> |
|  | Le capot supérieur est desserré.                        | Fermez complètement le capot supérieur.   |
|  | Les joints sont cassés                                  | Remplacez les joints.   |
| La poussière s'évacue dans l'air à partir du moteur. | Les filtres sont mal installés ou endommagés.           | Installez les filtres correctement. Remplacez les filtres endommagés.                                   |
| Le produit émet un bruit inhabituel.                 | N/A   | Faites réparer le produit par un atelier de réparation homologué.                                       |



## Avertissements sur le panneau de commande



**REMARQUE:** N'utilisez pas le produit si le voyant rouge s'allume. Si la solution initiale ne résout pas l'erreur, contactez

un atelier de réparation agréé avant de réutiliser le produit.

| Symbole | Puissance  | Cause  | Solution   |
|---------|--|--|--|
|         | Le signal sonore retentit et le voyant rouge s'allume. | Le préfiltre est colmaté.  | Effectuez une procédure de purge du filtre, reportez-vous à <i>Élimination des particules de poussière du préfiltre pendant le fonctionnement à la page 78.</i>                            |
|         |  | Un tuyau incorrect est branché ou sélectionné dans le panneau de commande. | Fixez le tuyau approprié ou sélectionnez la dimension de tuyau correcte sur le panneau de commande, reportez-vous à <i>Pour sélectionner le diamètre de la buse de tuyau à la page 76.</i> |
|         |  | Le tuyau est endommagé ou comprimé.  | Remplacez le flexible.   |
|         |  | Le tuyau est colmaté.  | Nettoyez le tuyau.   |
|         | Le voyant rouge clignote.                              | Le tuyau de dépression principal est débranché.                            | Faites réparer le produit par un atelier de réparation homologué.  |
|         | Le voyant rouge s'allume.                              | Le filtre HEPA est absent, plein ou endommagé.                             | Vérifiez le filtre HEPA et remplacez-le si nécessaire. Reportez-vous à la section <i>Pour remplacer le filtre HEPA à la page 84.</i>   |

| Symbole  | Puissance                 | Cause                               | Solution  |
|--|---------------------------|-------------------------------------|---|
|  | Le voyant rouge clignote. | Erreur de batterie.                 | Faites réparer le produit par un atelier de réparation homologué.   |
|  | Le voyant rouge s'allume. | Communication filaire non détectée. | Faites réparer le produit par un atelier de réparation homologué.   |
|  |                           | L'unité de commande est endommagée. | Faites réparer le produit par un atelier de réparation homologué.   |
|  |                           | Mauvaise batterie utilisée.         | Utilisez une batterie appropriée.   |
|  |                           | Avertissement.                      | Consultez le dossier d'exploitation de votre application Husqvarna Fleet ou contactez un atelier de réparation agréé. |
|  | Le voyant jaune s'allume. | Le filtre HEPA est presque plein.   | Remplacez le filtre HEPA si nécessaire.   |
|  | Le voyant rouge s'allume. | Le filtre HEPA est plein.           | Remplacez le filtre HEPA.   |

## Codes d'erreur

| Code d'erreur | Erreur  | Description   | Cause(s) probable(s)                               | Action(s)   |
|---------------|---|---|--|---|
| 2             | Filtre HEPA absent.                                 | Le produit s'arrête/ne démarre pas.<br>+ voyant d'avertissement sur l'IHM.<br>+ symbole HEPA sur l'IHM. | Le filtre HEPA est absent ou endommagé.            | Montez ou remplacez le filtre HEPA.   |
| 3             | Tension d'alimentation faible.                      | Faibles performances (débit d'air/dépression faible).   | Tension de réseau/d'alimentation trop faible.      | Assurez-vous que l'alimentation électrique/le réseau utilisé(e) est correct(e). |
| 4             | Tension d'alimentation élevée.                      | Le produit s'arrête/ne démarre pas.<br>+ voyant d'avertissement sur l'IHM.                              | Tension de réseau/d'alimentation trop élevée.      | Assurez-vous que l'alimentation électrique/le réseau utilisé(e) est correct(e). |
|               |   |   | Mauvaise batterie utilisée.                        | Utilisez une batterie appropriée.   |
| 5             | Erreur du capteur de pression principal.            | Le voyant de préfiltre clignote en rouge.   | Le flexible à dépression est débranché ou obstrué. | Contactez un agent d'entretien agréé.   |
|               |   |   | L'unité de commande est endommagée.                |   |
| 6             | Température du circuit imprimé complet trop élevée. | Le produit s'arrête/ne démarre pas.<br>+ voyant d'avertissement sur l'IHM.                              | Température ambiante trop élevée.                  | N'utilisez pas le produit en dehors de la plage de températures spécifiée.      |



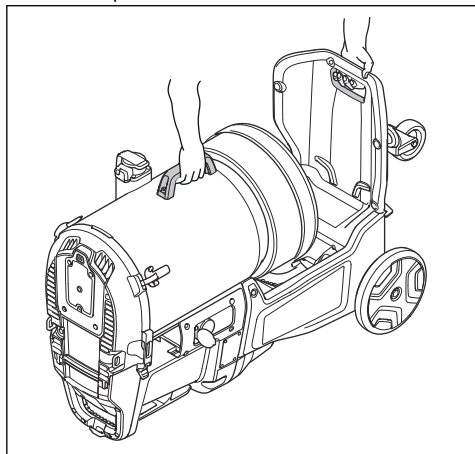
| Code d'erreur | Erreur                              | Description  | Cause(s) probable(s)                       | Action(s)                             |
|---------------|-------------------------------------|--|--|---------------------------------------|
| 7             | Dysfonctionnement du ventilateur.   | Le produit s'arrête/ne démarre pas.  | Le ventilateur est endommagé ou débranché. | Contactez un agent d'entretien agréé. |
|               |                                     | + voyant d'avertissement sur l'IHM.  | L'unité de commande est endommagée.        |                                       |
| 9             | Communication monofil non détectée. | Le produit s'arrête/ne démarre pas.<br>+ voyant d'avertissement sur l'IHM. | Câble débranché ou endommagé.              | Contactez un agent d'entretien agréé. |

## Transport, entreposage et mise au rebut

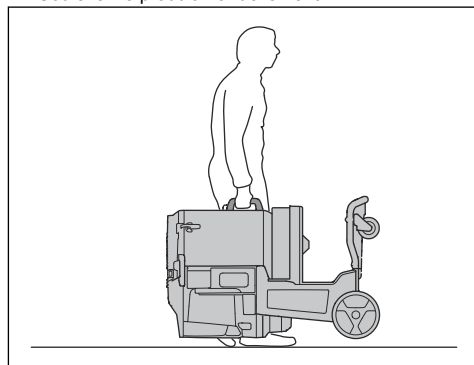
### Pour déplacer le produit sur de courtes distances

Assurez-vous que la soupape d'admission est fermée.  
Assurez-vous que les capuchons pare-poussière se trouvent sur les tuyaux.

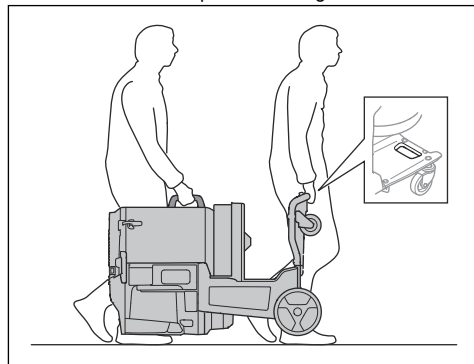
1. Posez le produit au sol.



2. Soulevez le produit manuellement.



3. Si deux personnes soulèvent le produit, assurez-vous d'utiliser les 2 points de levage.

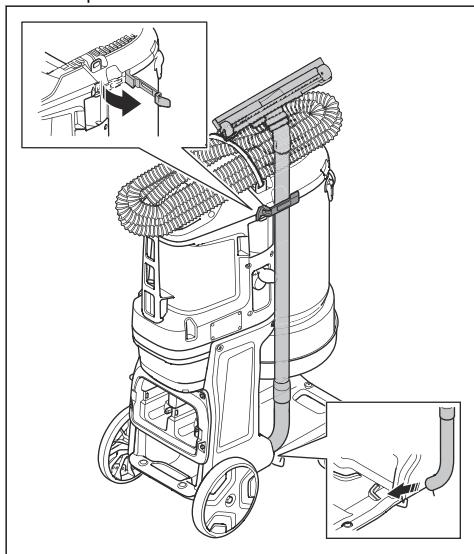


## Pour déplacer le produit sur de longues distances

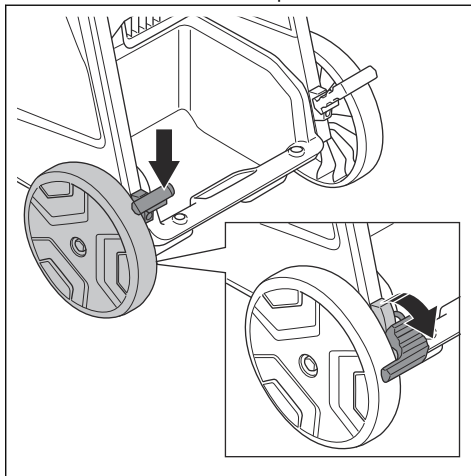
Veillez à utiliser un véhicule fermé pendant le transport du produit.

Assurez-vous que la soupape d'admission est fermée. Assurez-vous que les capuchons pare-poussière se trouvent sur les tuyaux.

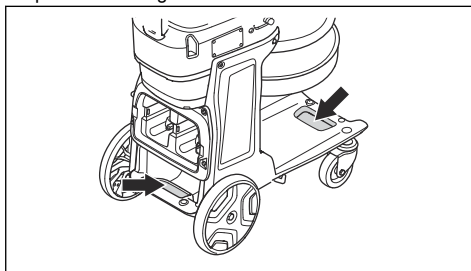
1. Assurez-vous que le Longopac est installé sur le produit.
2. Assurez-vous que le sac Longopac est vide.
3. Fixez fermement le cordon d'alimentation, le tuyau d'extraction de poussière et le tuyau de la poignée sur le produit.



4. Verrouillez les roues de transport.



5. Soulevez le produit ; reportez-vous à *Pour lever le produit à la page 90*.
6. Fixez fermement le produit au véhicule de transport afin d'éviter tout dommage ou accident. Utilisez les points d'arrimage.



### Pour lever le produit



**AVERTISSEMENT:** Assurez-vous que l'équipement et les sangles de levage présentent la spécification correcte afin de soulever le produit en toute sécurité. La plaque signalétique sur le produit indique le poids du produit, reportez-vous à *Plaque d'identification à la page 67*.



**AVERTISSEMENT:** Demandez de l'aide si vous avez des doutes concernant le levage des équipements lourds.



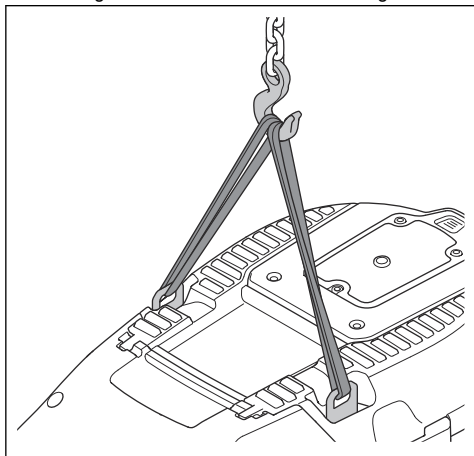
**AVERTISSEMENT:** Ne soulevez pas le produit lorsque de la poussière est présente dans le réservoir ou dans le sac .

Ne soulevez pas le produit avec un poids supplémentaire sur ou dans le produit.



**AVERTISSEMENT:** Ne soulevez pas le produit lorsque des batteries sont installées.

1. Effectuez la procédure de purge du filtre avant de soulever le produit. Reportez-vous à la section *Élimination des particules de poussière du préfiltre pendant le fonctionnement* à la page 78.
2. Pour soulever le produit en toute sécurité, passez les sangles à travers les anneaux de levage.



**AVERTISSEMENT:** N'utilisez pas de crochets métalliques, de chaînes ou d'autres équipements de levage dont les bords sont irréguliers et qui peuvent endommager l'anneau de levage. Seules des sangles de levage souples sont autorisées.

## Stockage du produit



**REMARQUE:** Rangez le produit en intérieur, à l'écart des éléments extérieurs.

- Remisez le produit à une température ambiante comprise entre -10 °C/14 °F et 40 °C/104 °F.
- Avant le remisage, effectuez la procédure de purge du filtre et mettez le Longopac au rebut avec le matériau collecté.
- Débranchez le produit de la source d'alimentation.
- Placez le produit dans un endroit sec et à l'abri du gel.
- Placez le produit dans une zone fermée à clé. Mettez le produit hors de portée des enfants ou d'autres personnes non autorisées.

## Mise au rebut du produit

- Respectez les consignes locales de recyclage et la réglementation en vigueur.
- Lorsque vous n'utilisez plus le produit, renvoyez-le au concessionnaire Husqvarna ou mettez-le au rebut dans une déchetterie.

## Caractéristiques techniques

### Caractéristiques techniques

| Caractéristiques   | DE 110i H                     | DE 120 H PACE                 |
|--|-------------------------------|-------------------------------|
| Source d'alimentation  | Batterie                      | Batterie                      |
| Tension nominale, V  | 36                            | 94                            |
| Puissance maximale, W  | 900                           | 2200                          |
| Courant maximal, A   | 20                            | 17                            |
| Débit d'air maximal, cfm / m <sup>3</sup> /h   | 127 / 215                     | 259 / 450                     |
| Dépression maximale, psi / kPa / po. H2O   | 2,5 / 17 / 68                 | 2,9 / 22 / 88                 |
| Sortie auxiliaire  | Non                           |                               |
| Surface du préfiltre, pi <sup>2</sup> / m <sup>2</sup>                                     | 15,4 / 1,4                    | 29,5 / 2,7                    |
| Efficacité du filtre HEPA  | HEPA 13                       |                               |
| Surface HEPA totale, pi <sup>2</sup> / m <sup>2</sup> HEPA 13                              | 12,7 / 1,2                    | 25,4 / 2,4                    |
| Système de collecte de la poussière, type  | Longopac                      |                               |
| Mécanisme de nettoyage de filtre   | Jet Pulse                     |                               |
| Dimensions L×l×H, po / mm  | 26,4×15,7×39,4 / 670×400×1000 | 32,1×21,3×44,3 / 815×542×1125 |
| Poids, lb/kg   | 57 / 26                       | 90 / 41                       |
| Niveau de puissance acoustique mesuré L <sub>WA</sub> dB(A) <sup>7</sup>                   | 83,6                          | 97,3                          |
| Niveau de pression sonore L <sub>PA</sub> à l'oreille de l'utilisateur, dB(A) <sup>8</sup> | 68,3                          | 83,8                          |
| Niveau de vibrations, A <sub>h</sub> en m/s <sup>2</sup> <sup>9</sup>                      | ≤2,5                          |                               |
| Classe de protection   | IP44                          |                               |

### Connectivité intégrée

**Remarque:** Cette pièce s'applique uniquement aux produits fournis avec une connectivité intégrée.

| Spectre radio de la technologie BLE |             |
|-------------------------------------|-------------|
| Bandes de fréquence de l'outil, GHz | 2,402-2,480 |

<sup>7</sup> Émissions sonores dans l'environnement comme puissance acoustique (LWA) selon la norme EN 60335-2-69. Incertitude kWA 2 dB.

<sup>8</sup> Niveau de pression sonore conformément à la norme EN 60335-2-69. Incertitude KPA 2 dB.

<sup>9</sup> Niveau de vibrations conformément à la norme EN 60335-2-69. Les données reportées pour le niveau de vibrations montrent une dispersion statistique typique (déviation standard) de 1 m/s<sup>2</sup>.

| <b>Spectre radio de la technologie BLE</b>             |       |
|--|-------|
| Puissance de radiofréquence maximale transmise, dBm/mW | 4/2,5 |

---

## Accessoires

---

### Batteries homologuées pour le produit

| Produit                     | DE 110i H   |             | DE 120 H PACE |                |
|-----------------------------|-------------|-------------|---------------|----------------|
|                             | Batterie    | BLi 200     | BLi 300       | 100-B380X PACE |
| Type                        | Lithium-ion | Lithium-ion | Lithium-ion   | Lithium-ion    |
| Capacité de la batterie, Ah | 5,2         | 9,4         | 4             | 8              |
| Tension nominale, V         | 36          | 36          | 94            | 94             |
| Poids, kg / lb              | 1,3 / 2,9   | 1,9 / 4,2   | 3,1 / 6,1     | 5,1 / 11,4     |

### Chargeurs de batterie homologués pour le produit

| Produit            | DE 110i H            |         | DE 120 H PACE |                |
|--------------------|----------------------|---------|---------------|----------------|
|                    | Chargeur de batterie | QC 330  | QC 500        | 100-C900X PACE |
| Tension secteur, V | 100-240              | 100-240 | 100-240       | 100-240        |
| Fréquence, Hz      | 50-60                | 50-60   | 50-60         | 50-60          |
| Puissance, W       | 330                  | 500     | 900           | 1 800          |

# Déclaration de conformité

## Déclaration de conformité UE

déclarons sous notre entière responsabilité que le produit :

Nous soussignés, **Husqvarna AB**,  
SE 561 82 Huskvarna, Suède, tél. : +46 36 146500,

|                       |   |
|-----------------------|---|
| <b>Description</b>    | Aspirateur industriel                           |
| <b>Marque</b>         | HUSQVARNA                                       |
| <b>Type/Modèle</b>    | DE 110i H, DE 120 H PACE                        |
| <b>Identification</b> | Numéros de série à partir de 2023 et ultérieurs |

est entièrement conforme à la réglementation et aux directives de l'UE suivantes :

| <b>Directive/Réglementation</b> | <b>Description</b>  |
|---------------------------------|---|
| 2006/42/EC                      | « relative aux machines »   |
| 2014/53/EU                      | « relative aux équipements radio »  |
| 2011/65/EU                      | « relative à la limitation de l'utilisation de certaines substances dangereuses » |

et que les normes et/ou les spécifications techniques suivantes sont appliquées ;

EN ISO 12100:2010

EN 60335-2-69:2012

EN IEC 55014-1:2021

EN IEC 55014-2:2021

ETSI EN 300 328 V2.2.2

EN IEC 63000:2018

Partille, 2023-07-24



Martin Huber

Directeur R&D, surfaces et sols en béton

Husqvarna AB, division Construction

Responsable de la documentation technique

---

## Marques déposées

---

La marque et les logos *Bluetooth®* sont des marques déposées appartenant à *Bluetooth SIG, inc.*, et toute utilisation de ces marques par Husqvarna est régie par une licence.

---

## Inhoud

---

|                        |     |                                     |     |
|------------------------|-----|-------------------------------------|-----|
| Inleiding.....         | 96  | Vervoer, opslag en verwerking.....  | 120 |
| Veiligheid.....        | 99  | Technische gegevens.....            | 123 |
| Werking.....           | 105 | Accessoires.....                    | 124 |
| Onderhoud.....         | 112 | Verklaring van overeenstemming..... | 125 |
| Probleemoplossing..... | 117 | Geregistreerde handelsmerken.....   | 126 |

---

## Inleiding

---

### Productbeschrijving

Het product is een stofzuiger. Er stroomt stoffige lucht door de aanzuigslang in de inlaatklep. Het product scheidt de stofdeeltjes van de lucht. De deeltjes vallen in de plastic zak aan de onderkant van het product.

### Gebruik

---



**WAARSCHUWING:** Verzamel geen ontstekingsbronnen, hete deeltjes,

vloeistoffen, explosief materiaal en instabiele of pyrofore deeltjes.

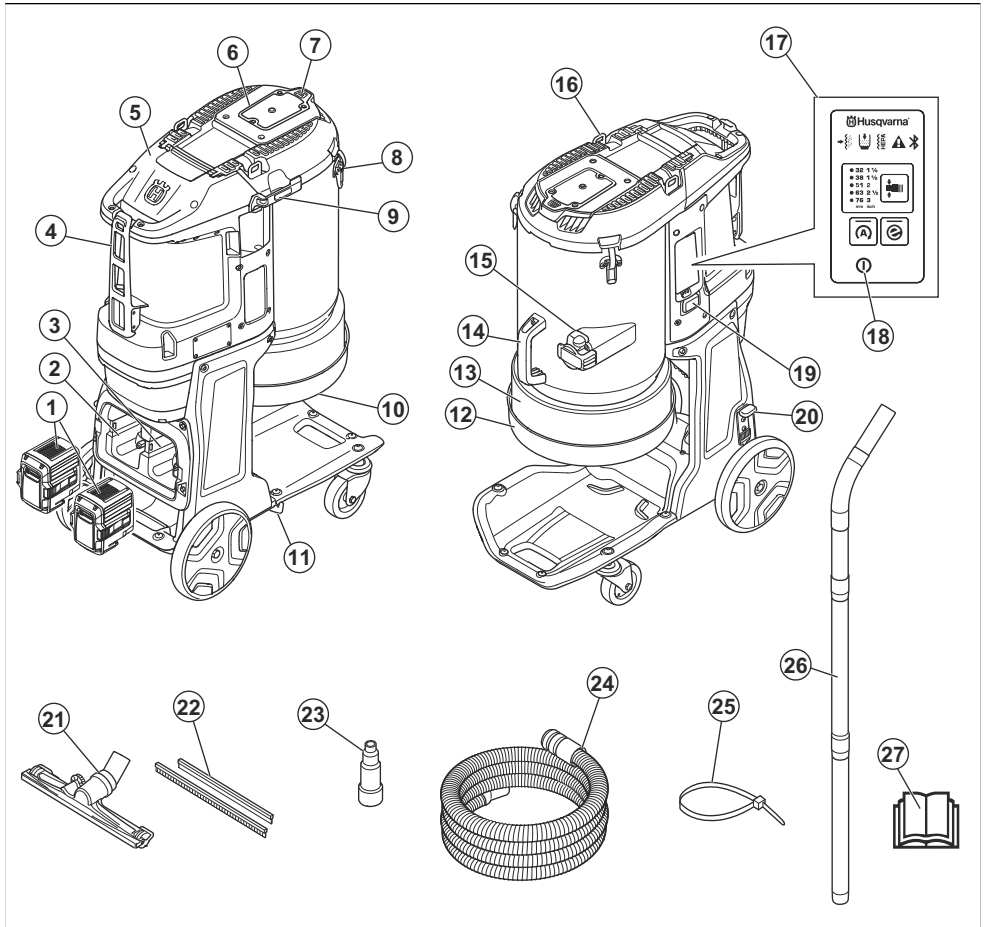
---

Dit product is uitsluitend bedoeld voor professioneel gebruik. Het product wordt gebruikt om droog materiaal van machines en apparaten te verzamelen en verwijderen. Het materiaal kan gevaarlijk en schadelijk zijn voor de gezondheid. Zie stofklasse H in EN 60335-2-69.

Gebruik het product niet voor andere taken. Gebruik het product uitsluitend met accessoires die door de fabrikant zijn goedgekeurd.



## Productoverzicht



- |                                      |  |
|--------------------------------------|--|
| 1. Accu (accessoire)                 | 16. Hijsog   |
| 2. Opslag voor reserveaccu           | 17. Bedieningspaneel, raadpleeg <i>Functies van het bedieningspaneel op pagina 107</i> |
| 3. Accuhouder                        | 18. Aan/Uit  |
| 4. Bevestiging voor stofzuigerslang  | 19. Urenteller   |
| 5. HEPA filterkap                    | 20. Wielrem  |
| 6. Voorfilterkap                     | 21. Vloerzuigmond  |
| 7. Doorblaasknop filter              | 22. Rubberen strips  |
| 8. Kapvergrendeling                  | 23. Mondstuk slang (DE 110i H)   |
| 9. Hendel pijpklemsluiting           | 24. Stofzuigerslang  |
| 10. Rubberen conus voor stofvrijgave | 25. Kabelbinder  |
| 11. Hendel pijpbeugel                | 26. Hendel pijp  |
| 12. Longopac houder                  | 27. Bedieningshandleiding  |
| 13. Longopac                         |  |
| 14. Handgreep                        |  |
| 15. Slangvergrendeling               |  |

## Symbolen op het product



**WAARSCHUWING:** Dit product kan gevaarlijk zijn en ernstig of fataal letsel toebrengen aan de gebruiker of anderen. Wees voorzichtig en gebruik het product op de juiste manier.



Lees de handleiding goed door en zorg dat u de instructies hebt begrepen voordat u het product gebruikt.



Gebruik gehoorbescherming, oogbescherming en ademhalingsbescherming. Zie *Persoonlijke beschermingsuitrusting op pagina 104*.



Gebruik geen metalen haken, kettingen of andere hijsapparatuur met ruwe randen die schade aan het hijssoog kunnen veroorzaken. Gebruik uitsluitend zachte hijsbanden.



Dit apparaat is H-geclassificeerd en gecertificeerd door een derde partij conform IEC-60335-2-69, EN-60335-2-69 bijlage AA.

Dit apparaat bevat schadelijk stof. Leeg- en onderhoudswerkzaamheden, waaronder het verwijderen van de stofopvangbakken, mogen uitsluitend worden uitgevoerd door deskundigen die een geschikte beschermende uitrusting dragen. Gebruik de stofzuiger nooit zonder het complete filtratiesysteem.



Het product mag niet worden verwerkt als huishoudelijk afval. Lever het in bij een erkende verwijderingslocatie voor elektrische en elektronische apparatuur.



Als het product beschikt over draadloze technologie van Bluetooth® staat het Bluetooth®-symbool op het label met de productnaam. Zie *Draadloze Bluetooth®-technologie op pagina 106*.

**Let op:** Overige op het product aangebrachte symbolen/plaatjes verwijzen naar specifieke eisen aan certificering voor bepaalde markten.

## Symbolen op de accu en/of op de accuhouder.



Het product of de verpakking ervan is geen huishoudelijk afval.



Li-Ion

Lever het product in bij een geschikte verwijderingslocatie voor elektrische en elektronische apparatuur.



De accu niet in aanraking laten komen met water.



Bescherm de accu tegen direct zonlicht, warmte of open vuur.

### IPX4

Het product is beschermd tegen opspattend water.



Functionele aarding.



Faalveilige transformator.



Bewaar en gebruik de acculader alleen binnen.



Dubbele isolatie.

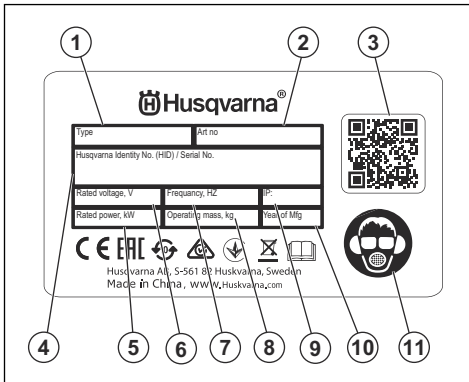
## Geïntegreerde connectiviteit

De cloudoplossing voor beheer van bedrijfsmiddelen Husqvarna Fleet Services™ geeft de fleetmanager een overzicht van alle producten die zijn verbonden via geïntegreerde of aftermarketsensoren. De positie van de gateway of smartphone kan worden gebruikt om de locatie van verbonden producten aan te geven. De sensoren registreren gegevens zoals gebruiksduur, onderhoudsintervallen en meer. Download voor meer informatie over de cloudoplossing voor beheer van bedrijfsmiddelen Husqvarna Fleet

Services™ de iOS- of Android-app Husqvarna Fleet Services via <https://apps.apple.com/se/app/husqvarna-fleet-services/id1334672726> of <https://play.google.com/store/apps/details?id=com.husqvarna.hfsmobile&hl=en>. Neem voor meer informatie contact op met uw Husqvarna-verkoopvertegenwoordiger.

Sommige modellen van dit product zijn verbonden via de geïntegreerde Husqvarna Fleet Services™-sensor met de functie Bluetooth Low Energy (BLE). Als u meer informatie wilt over het gebruik hiervan, raadpleeg dan *Geïntegreerde connectiviteit gebruiken met fleet op pagina 106*. Raadpleeg *Geïntegreerde connectiviteit op pagina 123* voor informatie over het radiospectrum van de BLE-technologie.

## Typeplaatje



1. Model
2. Artikelnummer
3. Scanbare code
4. Serienummer
5. Nominaal vermogen
6. Nominale spanning
7. Frequentie
8. Gewicht
9. IP-klasse
10. Bouwjaar
11. Persoonlijke beschermingsuitrusting

## Productaansprakelijkheid

Zoals uiteengezet in de wet voor productaansprakelijkheid zijn wij niet aansprakelijk voor schade die door ons product wordt veroorzaakt, indien:

- het product niet goed is gerepareerd.
- het product is gerepareerd met onderdelen die niet van de fabrikant afkomstig zijn, of onderdelen die niet zijn goedgekeurd door de fabrikant.
- het product een accessoire bevat dat niet afkomstig is van de fabrikant of niet is goedgekeurd door de fabrikant.
- het product niet is gerepareerd door een erkend servicepunt of door een erkende autoriteit.

## Veiligheid

### Veiligheidsdefinities

Waarschuwingen, voorzorgsmaatregelen en opmerkingen worden gebruikt om te wijzen op belangrijke delen van de handleiding.



**WAARSCHUWING:** Wordt gebruikt om te wijzen op de kans op ernstig of fataal letsel voor de gebruiker of omstanders wanneer de instructies in de handleiding niet worden gevolgd.



**OPGELET:** Wordt gebruikt indien er een risico bestaat op schade aan het product en andere eigendommen of aan de omgeving wanneer de instructies in de handleiding niet worden gevolgd.

**Let op:** Geven verdere informatie die nodig is in een bepaalde situatie.

### Algemene veiligheidsinstructies



**WAARSCHUWING:** Lees de volgende waarschuwingen voordat u het product gaat gebruiken.



**WAARSCHUWING:** PACE-producten bevatten gevaarlijke spanningen in de behuizing. Om elektrische schokken te voorkomen: Probeer het product niet te openen. Gebruik een beschadigd product niet. Sluit een PACE-accu niet aan op een beschadigd product. Als het product tijdens gebruik beschadigd raakt, verwijder dan de PACE-accu uit het product en neem contact op met uw Husqvarna-servicecentrum.

- Dit product kan bij onvoorzichtig of onjuist gebruik een gevaarlijk gereedschap zijn. Dit product kan ernstig of fataal letsel toebrengen aan de gebruiker of anderen. Het is erg belangrijk dat u deze gebruiksaanwijzing leest en begrijpt voordat u dit product gaat gebruiken.

- Laat personen (waaronder kinderen) met beperkte fysieke, zintuiglijke of geestelijke capaciteiten het product niet gebruiken, tenzij ze begeleiding bij of aanwijzingen voor het gebruik van het product hebben ontvangen van een persoon die verantwoordelijk is voor hun veiligheid.
- Zorg ervoor dat u ervaring met en kennis over het product hebt voordat u het gaat gebruiken.
- Zorg ervoor dat alle bedieningselementen zijn uitgeschakeld voordat u de accu loskoppelt.
- U dient alle toepasselijke wet- en regelgeving in acht te nemen.
- De gebruiker en de werkgever van de gebruiker dienen op te hoogte te zijn van de risico's tijdens het gebruik van het product en moeten deze voorkomen.
- Zorg ervoor dat dit product alleen wordt gebruikt door personen die de inhoud van de gebruikershandleiding hebben gelezen en begrepen.
- Gebruik het product alleen als u voorafgaand aan gebruik training hebt ontvangen. Zorg ervoor dat alle gebruikers getraind worden.
- Laat het product niet door een kind bedienen.
- Het product mag alleen worden gebruikt door goedgekeurde personen.
- De gebruiker is verantwoordelijk indien ongelukken gebeuren met andere mensen of hun eigendommen.
- Gebruik het product nooit als u moe of ziek bent, of onder invloed van alcohol, drugs of medicijnen verkeert.
- Wees altijd voorzichtig en gebruik uw gezond verstand.
- Dit product produceert tijdens bedrijf een elektromagnetisch veld. Dit veld kan onder bepaalde omstandigheden de werking van actieve of passieve medische implantaten verstoren. Om het risico op ernstig of fataal letsel te verminderen, raden we personen met een medisch implantaat aan om contact op te nemen met hun arts en de fabrikant van het medische implantaat voordat ze dit product gebruiken.
- Houd het product schoon. Zorg ervoor dat u de aanduidingen en stickers duidelijk kunt lezen.
- Gebruik het product niet als het defect is.
- Breng geen wijzigingen aan dit product of de accu aan.
- Gebruik het product niet als de mogelijkheid bestaat dat andere personen wijzigingen aan het product hebben aangebracht.
- Gebruik het product niet zonder de nodige filters.
- Bewaar alle waarschuwingen en instructies.

## **Veiligheid bij accu's**



**WAARSCHUWING:** Lees de volgende waarschuwingen voordat u het product gaat gebruiken.



## **WAARSCHUWING:** Een

beschadigde accu kan exploderen en letsel veroorzaken. Als de accu vervormd of beschadigd is, neem dan contact op met een erkende Husqvarna servicewerkplaats.

- Gebruik uitsluitend de BLi-accu's die we voor uw product aanbevelen. De accu's zijn voorzien van softwarematige encryptie.
- Gebruik uitsluitend originele accu's voor dit product. Er bestaat explosiegevaar als de accu's worden vervangen door een accu van een onjuist type. Neem voor meer informatie contact op met uw dealer.
- Gebruik de BLi-accu's die oplaadbaar zijn uitsluitend als een voedingsbron voor de bijbehorende producten van Husqvarna. Gebruik de accu niet als voedingsbron voor andere apparaten, om letsel te voorkomen.
- Risico van elektrische schok. Breng de accuklemmen niet in contact met sleutels, schroeven of ander metaal. Dit kan kortsluiting van de accu veroorzaken.
- Als de accu lekt, zorg er dan voor dat de vloeistof niet in aanraking komt met uw huid, kleding of ogen. Als u in aanraking bent gekomen met de vloeistof, reinig het oppervlak dan met een ruime hoeveelheid water en raadpleeg een arts.
- Draag een veiligheidsbril wanneer u zich in de buurt van accu's begeeft. Wrijf niet in uw ogen wanneer u vloeistof in uw ogen krijgt, maar spoel uw ogen minstens 15 minuten met water. Roep medische hulp in.
- Gebruik geen accu's die niet oplaadbaar zijn.
- Breng geen wijzigingen aan de accu's aan.
- Plaats geen voorwerpen in de luchtspleten van de accu.
- Bescherm de accu tegen direct zonlicht, warmte of open vuur. De accu kan een explosie en brandwonden en/of chemische brandwonden veroorzaken.
- Bescherm de accu tegen regen en vocht.
- Houd de accu uit de buurt van magnetrons en hoge druk.
- Probeer de accu niet te demonteren of te slopen.
- Gebruik de accu alleen als de omgevingstemperatuur tussen -10 °C en 40 °C ligt.
- Reinig de accu of acculader nooit met water. Zie *De accu en de accuhouder controleren op pagina 114*.
- Gebruik geen beschadigde accu.
- Sla accu's op uit de buurt van metalen voorwerpen, bijvoorbeeld spijkers, schroeven en sieraden.
- Houd de accu buiten het bereik van kinderen.
- Monteer de accu op de juiste manier. Een verkeerd aangesloten accu kan kortsluiting van de accu veroorzaken.

## Veiligheidsvoorschriften voor acculader



**WAARSCHUWING:** Lees alle veiligheidswaarschuwingen en alle instructies. Het niet opvolgen van de waarschuwingen en instructies kan leiden tot elektrische schokken, brand en/of ernstig letsel.

- Risico van elektrische schok of kortsluiting wanneer de veiligheidsinstructies niet worden opgevolgd.
- Gebruik geen andere acculader dan die bij uw product is geleverd. Gebruik uitsluitend Husqvarna QCof Husqvarna PACE-laders wanneer u Husqvarnavervangende accu's BLiOf PACEoplaadt.
- Probeer de acculader niet te demonteren.
- Gebruik geen beschadigde acculader.
- Til de acculader niet op aan de voedingskabel. Trek aan de stekker om de acculader uit de wandcontactdoos te halen. Trek niet aan de voedingskabel.
- Houd alle kabels en verlengsnoeren uit de buurt van water, olie en scherpe kanten. Let op dat de kabel niet bekneld raakt tussen deuren, hekken en dergelijke.
- Gebruik de acculader niet in de buurt van brandbare materialen of materialen die corrosie kunnen veroorzaken. Controleer of de acculader niet is afgedekt. Haal de stekker van de acculader uit de wandcontactdoos bij rookontwikkeling of brand.
- De accu mag alleen binnenshuis worden opgeladen op een plek met voldoende ventilatie en zonder direct zonlicht. Laad de accu niet buiten op. Laad de accu niet op in vochtige omstandigheden.
- Laad de accu alleen op wanneer de omgevingstemperatuur tussen 5 °C / 41 °F en 40 °C / 104 °F ligt. Gebruik de lader in een droge, stofvrije omgeving met goede ventilatie.
- Plaats geen voorwerpen in de luchtspleten van de acculader.
- Verbind de contacten van de acculader niet met metalen objecten, omdat dit kortsluiting in de acculader kan veroorzaken.
- Laad geen niet-oplaadbare accu's op in de acculader en gebruik deze ook niet in de machine.
- Gebruik goedgekeurde stopcontacten die niet beschadigd zijn.

## Veiligheid van het werkgebied

- **Zorg ervoor dat de werkplek schoon en goed verlicht is.** In rommelige of donkere gebieden gebeuren eerder ongelukken.
- **Gebruik het product niet in een explosiegevaarlijke omgeving, bijv. in de buurt van ontvlambare vloeistoffen, gassen of stof.** Het product creëert vonken waardoor het stof of de dampen kunnen ontbranden.

- **Houd kinderen en omstanders op afstand wanneer u het product gebruikt.** U kunt de controle over het apparaat verliezen als u afgeleid wordt.

## Elektrische veiligheid



**WAARSCHUWING:** Stel het apparaat niet bloot aan regen of natte omstandigheden. Het risico van elektrische schok neemt toe als water een elektrisch apparaat binnendringt.

- **De stekker op de voedingskabel van het apparaat moet met het stopcontact overeenkomen. Wijzig de stekker niet. Gebruik geen adapterstekkers in combinatie met geaarde apparaten.** Ongewijzigde stekkers en overeenkomende stopcontacten verkleinen het risico op elektrische schokken.
- **Doet de stekker in een geschikt geaard stopcontact dat correct en veilig is geïnstalleerd en aan de lokale voorschriften voldoet. Als u twijfelt over de effectiviteit van de aarding van het stopcontact, laat er dan een gekwalificeerde specialist naar kijken.**
- **Vermijd lichamenteel contact met geaarde oppervlakken, zoals buizen, radiatoren, fomuizen en koelkasten.** Er is een verhoogd risico op elektrische schokken als uw lichaam geaard is.
- **Controleer of de voedingskabel niet in een plas water ligt.**
- **Controleer de voedingskabel van het apparaat regelmatig en laat hem door de fabrikant of diens vertegenwoordiger vervangen als er sprake van beschadiging is. Controleer verlengsnoeren regelmatig en vervang ze als er sprake van beschadiging is.**
- **Raak de voedingskabel of het verlengsnoer niet aan als ze tijdens het werken beschadigd raken. Haal de stekker uit het stopcontact.** Beschadigde voedingskabels of verlengsnoeren vormen een risico van elektrische schok.
- **Gebruik de kabel niet voor oneigenlijke doeleinden. Gebruik de kabel nooit om het apparaat aan te dragen, te trekken of om de stekker uit het stopcontact te trekken. Houd de kabel uit de buurt van hitte, olie, scherpe randen en bewegende delen.** Beschadigde of in de knoop geraakte kabels verhogen het risico op elektrische schokken.
- **Gebruik uitsluitend een verlengsnoer dat geschikt is voor gebruik buitenshuis wanneer u buiten werkt met een elektrisch apparaat.** Het gebruik van een verlengsnoer dat geschikt is voor gebruik buitenshuis verlaagt het risico op elektrische schokken.
- **Schakel het apparaat uit en haal de stekker uit het stopcontact in het geval dat de elektriciteitsvoorziening wordt onderbroken.**
- **Gebruik het apparaat nooit wanneer het vies of nat is.** Stof (met name stof van geleidend materiaal) of vocht dat zich aan het oppervlak van het apparaat hecht, kan onder ongunstige omstandigheden tot

een elektrische schok leiden. **Vieze of stoffige apparaten moeten daarom regelmatig door een erkende servicewerkplaats worden gecontroleerd, met name als deze vaak voor werkzaamheden op geleidend materiaal worden gebruikt.**

- **Als gebruik van een apparaat in een vochtige omgeving onvermijdelijk is, gebruik dan een netvoeding met aardlekschakelaar (RCD).** Het gebruik van een aardlekschakelaar vermindert het risico op elektrische schokken.
- Voer periodiek elektrische veiligheidstests op het product uit. Neem voor de correcte procedure de lokale voorschriften in acht.

## Persoonlijke veiligheid

- **Wees altijd alert, kijk wat u doet en gebruik uw gezonde verstand wanneer u het product gebruikt. Gebruik het product niet als u moe bent of onder invloed bent van drugs, alcohol of medicijnen.** Een moment van onoplettendheid tijdens het gebruik van het product kan ernstig persoonlijk letsel tot gevolg hebben.
- **Maak altijd gebruik van persoonlijke beschermingsmiddelen. Draag altijd oogbescherming.** Beschermingsmiddelen zoals een stofmasker, veiligheidsschoenen met antislipprofiel, een veiligheidshelm of gehoorbescherming in relevante werkomstandigheden beperken letsel.
- **Voorkom een onbedoelde start. Zorg ervoor dat de schakelaar in de stand OFF staat voordat u het product aansluit op een spanningsbron en/of accupack, oppakt of draagt.** Het dragen van het product met uw vinger op de schakelaar of het onder spanning zetten van het product waarvan de schakelaar op aan staat, kan makkelijk leiden tot ongelukken.
- **Verwijder eventuele (instel)sleutels voordat u het product inschakelt.** Een sleutel die is bevestigd aan een draaiend onderdeel van het product kan persoonlijk letsel tot gevolg hebben.
- **Voorkom overstrekken. Zorg dat u te allen tijde stevig en in balans staat.** Hierdoor hebt u een betere controle over het product in onverwachte situaties.
- **Draag geschikte kleding. Draag geen losse kleding of sieraden. Houd uw haar en kleding uit de buurt van bewegende onderdelen.** Losse kleding, sieraden of lang haar kunnen verstrikt raken in bewegende onderdelen.
- **Als de mogelijkheid bestaat voor het opvangen van stof moet u ervoor zorgen dat deze is aangesloten en op de juiste wijze wordt gebruikt.** Het gebruik van stofopvang kan stofgerelateerde gevaren beperken.
- **Laat de vertrouwde handeling met de door u gebruikte apparaten door het frequente gebruik ervan niet toe leiden dat u de veiligheidsprincipes negeert.** Een onzorgvuldige handeling kan binnen een fractie van een seconde leiden tot ernstig letsel.

## Gebruik en onderhoud van het product

- **Forceer het product niet. Gebruik het juiste product voor de toepassing.** Het juiste product voert de werkzaamheden waarvoor het is ontworpen beter en veiliger uit.
- **Gebruik het product niet als de On/Off-schakelaar niet werkt.** Producten die niet bediend kunnen worden met de schakelaar zijn gevaarlijk en moeten gerepareerd worden.
- **Haal de stekker uit het stopcontact en/of verwijder het accupack, indien verwijderbaar, van het product voordat u aanpassingen maakt, accessoires verwisselt of het elektrische gereedschap opbergt.** Dergelijke preventieve veiligheidsmaatregelen verlagen het risico op het onbedoeld starten van het product.
- **Berg het product dat u niet nodig hebt op buiten het bereik van kinderen en laat personen die onbekend zijn met het product of deze instructies niet werken met het product.** Het product is gevaarlijk in handen van ongetrainde gebruikers.
- **Onderhoud het product en de accessoires. Controleer op onjuiste montage of vastlopen van bewegende delen, gebroken onderdelen en andere condities die de werking van het elektrische gereedschap kunnen beïnvloeden. Als het product is beschadigd, moet u het laten repareren voordat u het gebruikt.** Veel ongelukken worden veroorzaakt door slecht onderhouden elektrische apparaten.
- **Houd snijgereedschappen scherp en schoon.** Goed onderhouden snijgereedschappen met scherpe snijranden zullen minder gauw vastlopen en zijn eenvoudiger onder controle te houden.
- **Gebruik het product, de accessoires, gereedschapsbits en dergelijke in overeenstemming met deze instructies en houd hierbij rekening met de werkomstandigheden en het type krus dat moet worden uitgevoerd.** Als u het product voor andere toepassingen gebruikt dan waarvoor het is bedoeld, kan er een gevaarlijke situatie ontstaan.
- **Houd de handgrepen en grijppoppervlakken droog, schoon en vrij van olie en vet.** Als handgrepen en grijppoppervlakken glad zijn, kan dit ervoor zorgen dat het gereedschap in onverwachte situaties niet veilig kan worden gehanteerd en bediend.

## Gebruik en onderhoud van gereedschap met accu

- **Laad het gereedschap alleen op met de lader die door de fabrikant is gespecificeerd.** Een lader die voor een bepaald type accu geschikt is, kan een risico op brand creëren als de lader met een andere accu wordt gebruikt.
- **Gebruik producten enkel met de specifiek hiervoor bedoelde accupacks.** Als er andere accupacks worden gebruikt, bestaat er risico op letsel en brand.
- **Als het accupack niet gebruikt wordt, houd hem dan uit de buurt van andere metalen voorwerpen, zoals paperclips, munten, sleutels, spijkers, schroeven**

of andere kleine metalen voorwerpen die een verbinding tussen de twee klemmen kunnen maken.

Als er kortsluiting tussen de accuaansluitingen ontstaat, kunnen er brandwonden of brand ontstaan.

- **Als het accupack verkeerd wordt gebruikt, kan er vloeistof uit de accu komen; zorg dat u deze niet aanraakt. Als u per ongeluk in contact komt met de vloeistof, afspoelen met water. Als er vloeistof in de ogen komt dient u medische hulp in te roepen.** Vloeistof die uit accu's loopt, kan irritatie of brandwonden veroorzaken.
- **Gebruik geen accupack of product dat beschadigd of gewijzigd is.** Beschadigde of aangepaste accu's kunnen onvoorspelbaar gedrag vertonen, wat kan leiden tot brand, explosies of letsel.
- **Stel het accupack of product niet bloot aan vuur of hoge temperaturen.** Blootstelling aan vuur of temperaturen hoger dan 130 °C kan een explosie veroorzaken.
- **Volg alle oplaad instructies op en laad de accu of het product niet op bij temperaturen die buiten het in de instructies gespecificeerde bereik vallen.** Door onjuist opladen of opladen bij temperaturen die buiten het gespecificeerde bereik liggen, kan de accu beschadigd raken en neemt het risico op brand toe.

## Service

- Laat alleen een erkend servicecentrum onderhoud uitvoeren met goedgekeurde vervangende onderdelen. Zo blijft het product veilig.
- Voer geen onderhoud uit en maak geen accu's open. Alleen een erkend servicecentrum mag onderhoud aan accu's uitvoeren.
- Zie *Onderhoudsschema op pagina 112* voor meer informatie.

## Veiligheidsinstructies voor montage



**WAARSCHUWING:** Lees de volgende waarschuwingen voordat u het product monteert.

- Ongeautoriseerde wijzigingen en/of accessoires kunnen ernstig of dodelijk letsel aan de gebruiker of anderen toebrengen.
- Gebruik uitsluitend opzetstukken zoals beschreven in deze handleiding. Gebruik alleen door de fabrikant aanbevolen opzetstukken.
- Zorg voor een stevig montageoppervlak, zodat het product niet kan omvallen. Risico van lichamelijk letsel en materiële schade.
- Pas op, want de klemsluitingen kunnen de gebruiker verwonden tijdens het monteren van het product.

## Veiligheidsinstructies voor bediening



**WAARSCHUWING:** Lees de volgende waarschuwingen voordat u het product gaat gebruiken.

- Als het product niet correct werkt, op de grond valt, beschadigd is, buiten is achtergelaten of in het water valt, moet u het stoppen. Laat onderhoud aan het product uitvoeren door een erkende servicewerkplaats.
- Zorg ervoor dat de motor en al zijn bedieningselementen uit staan voordat u het accupack loskoppelt.
- Koppel de accu van het product los wanneer het product niet gebruikt wordt, vóór onderhoudswerkzaamheden of voordat u bij het product weggaat.
- Gebruik het product alleen als u weet dat u hulp kunt krijgen indien zich een ongeval voordoet.
- Zorg ervoor dat u voor gebruik vertrouwd bent met de bedieningselementen en het juiste gebruik van het product.
- Bedien het product niet bij temperaturen onder -10 °C.
- Bedien het product niet als er een explosiegevaar bestaat of in gebieden waar zich ontvlambare vloeistoffen of materialen bevinden.
- Plaats geen voorwerpen in de openingen.
- Gebruik het apparaat niet als een opening is geblokkeerd. Verwijder stof, pluis, haar of ander materiaal dat de luchtstroom kan verminderen.
- Bedien het product niet met natte handen.
- Houd haar, wijde kleding en alle lichaamsdelen uit de buurt van openingen en bewegende delen.
- Gebruik het product heel voorzichtig op trappen om schade en letsel te voorkomen als het product valt.
- Vergrendel altijd de transportwielen als u op een ruw oppervlak werkt.
- Kijk uit voor personen, objecten en situaties die een veilig gebruik van het product kunnen verhinderen.
- Zorg er altijd voor dat u de motor in een noodsituatie snel kunt stoppen.
- Zet het product onmiddellijk stop als het product niet correct werkt.
- Gebruik het product niet zonder dat een Longopac en de filters zijn geïnstalleerd. Vervang de Longopac-zak en de filters zoals beschreven in deze handleiding.
- Verwijder altijd het accupack voordat u het product onbeheerd achterlaat.
- Wanneer het product een ongebruikelijk trillings- of geluidsniveau vertoont, stop het product dan onmiddellijk en verwijder het accupack. Controleer het product op schade. Ongewone trilling is over het algemeen een voorteken van schade. Repareer schade of laat een erkende servicewerkplaats de reparatie uitvoeren.

- Gebruik altijd goedgekeurde accessoires. Neem voor meer informatie contact op met uw Husqvarna-vertegenwoordiger.

## Persoonlijke beschermingsuitrusting



**WAARSCHUWING:** Lees de volgende waarschuwingen voordat u het product gaat gebruiken.

- Draag tijdens het gebruik van het product altijd goedgekeurde persoonlijke beschermingsuitrusting. Persoonlijke beschermingsuitrusting kunnen niet alle risico's uitsluiten maar kunnen de ernst van eventueel letsel helpen beperken. Vraag uw dealer u te helpen bij het kiezen van de juiste beschermingsuitrusting.
- Controleer regelmatig de toestand van uw persoonlijke beschermingsmiddelen.
- Draag een goedgekeurde veiligheidshelm.
- Gebruik goedgekeurde gehoorbescherming.
- Gebruik goedgekeurde ademhalingsbescherming met klasse P2 of hoger.
- Gebruik goedgekeurde oogbescherming.
- Draag veiligheidshandschoenen.
- Draag veiligheidsschoenen.

## Veiligheidsinstructies voor onderhoud



**WAARSCHUWING:** Lees de volgende waarschuwingen voordat u onderhoud aan het product gaat uitvoeren.

- Verwijder de accu voordat u onderhoud of andere controles uitvoert, of het product demonteert.
- De gebruiker mag alleen de onderhouds- en servicewerkzaamheden uitvoeren die in deze bedieningshandleiding zijn beschreven. Ga naar uw servicedealer voor verdergaande service- of onderhoudswerkzaamheden.
- Reinig de accu of acculader nooit met water. Sterke reinigingsmiddelen kunnen schade aan het kunststof veroorzaken.
- Als u geen onderhoud uitvoert, verkort dit de levenscyclus van het product en vergroot het risico op ongevallen.
- Voor alle service en reparaties is speciale training vereist, vooral voor de veiligheidsvoorzieningen op het product. Als niet alle controles in deze bedieningshandleiding een goed resultaat geven nadat u onderhoud hebt uitgevoerd, ga dan naar uw servicedealer. Wij garanderen dat u daar professionele reparaties en service voor uw product krijgt.
- Gebruik alleen originele reserveonderdelen.

## Veiligheidsvoorzieningen op het product



**WAARSCHUWING:** Lees de volgende waarschuwingen voordat u het product gaat gebruiken.

- Gebruik het product nooit als de veiligheidsonderdelen defect zijn! Als uw product niet door alle controles komt, neem dan contact op met uw servicewerkplaats voor reparatie.
- U mag het product niet gebruiken als beschermingsplaten, afschermingen, veiligheidsschakelaars of andere veiligheidsvoorzieningen ontbreken of defect zijn.

## Gebruik altijd uw gezond verstand



**WAARSCHUWING:** Onder geen beding mag u wijzigingen aanbrengen in het oorspronkelijke ontwerp van het product zonder toestemming van de fabrikant. Gebruik altijd originele reserveonderdelen. Ongeautoriseerde wijzigingen en/of accessoires kunnen ernstig of dodelijk letsel aan de gebruiker of anderen toebrengen.



**WAARSCHUWING:** Het gebruik van producten zoals doorslijpmachines, slijpparamaten en boren om materiaal te schuren of te vormen, kan stof en dampen veroorzaken die gevaarlijke chemicaliën kunnen bevatten. Controleer de aard van het materiaal dat u wilt bewerken en draag een geschikt stofmasker.

Het is niet mogelijk om elke situatie die zich kan voordoen tijdens het gebruik van het product te vermelden. Wees altijd voorzichtig en gebruik uw gezond verstand. Vermijd situaties die uw capaciteiten te boven gaan. Als u na het lezen van deze instructies nog vragen hebt over de bedieningsprocedures dient u een expert te raadplegen voordat u verder gaat.

Aarzel niet om contact op te nemen met uw Husqvarna-vertegenwoordiger als u nog meer vragen hebt over het gebruik van het product. We zijn graag bereid om u te adviseren of u te helpen uw product op een efficiënte en veilige manier te gebruiken.

Laat het product regelmatig controleren door uw Husqvarna-servicewerkplaats en laat belangrijke aanpassingen en reparaties uitvoeren.

Husqvarna AB werkt voortdurend aan het verder ontwikkelen van zijn producten. Husqvarna behoudt zich het recht voor om zonder aankondiging vooraf wijzigingen in vorm en uiterlijk door te voeren en zonder enige verplichting het ontwerp te wijzigen.



Alle informatie en gegevens in deze bedieningshandleiding waren van toepassing op de datum dat deze bedieningshandleiding ter perse ging.

## Werking

### Voordat u het product gebruikt

**Let op:** De bedrijfsomstandigheden zijn 800 m/2625 ft maximale hoogte, temperatuur tussen -10 °C/14 °F tot +40 °C/104 °F en vochtigheid 85%.

**Let op:** Lees de bedieningshandleiding voor het aangesloten apparaat zorgvuldig door. Als er specifieke eisen of instellingen voor de stofzuiger worden gegeven, zorg er dan voor dat u zich hieraan houdt.

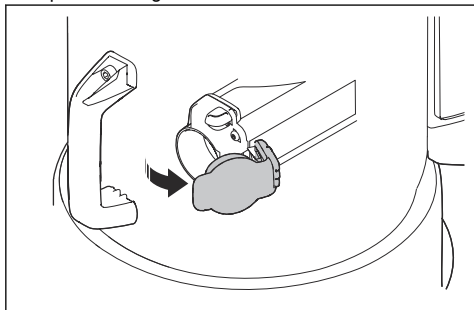
1. Lees de gebruikershandleiding zorgvuldig door en zorg dat u de instructies hebt begrepen.
2. Voer dagelijks onderhoud uit. Zie *Onderhoudsschema op pagina 112*.
3. Zorg ervoor dat het werkgebied schoon en droog is.
4. Maak altijd gebruik van persoonlijke beschermingsmiddelen. Zie *Persoonlijke beschermingsuitrusting op pagina 104*.
5. Controleer of het product correct is gemonteerd.
6. Zorg ervoor dat de accu volledig is opgeladen.

### De stofzuigerslang bevestigen

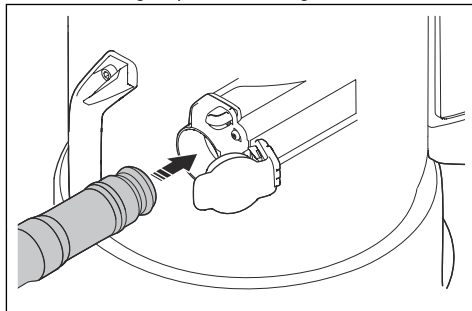


**WAARSCHUWING:** Gebruik een antistatische slang om antistatische effecten te voorkomen.

1. Open het slangstuk.



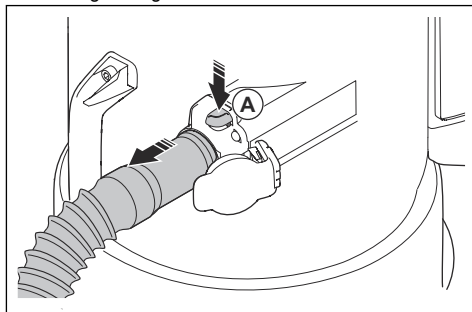
2. Doe de slangadapter in het slangstuk.



3. Duw de slangadapter totdat u een klik hoort en weet dat hij in de juiste positie zit.

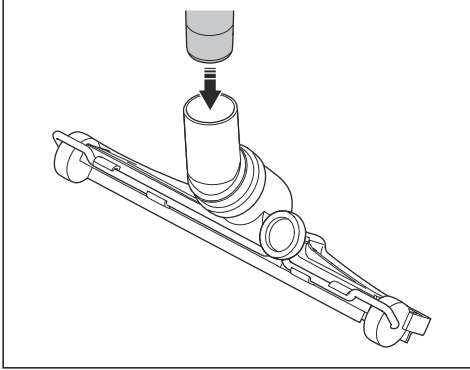
### De stofzuigerslang verwijderen

- Druk op de slangvergrendelknop (A) en trek aan de stofzuigerslang.

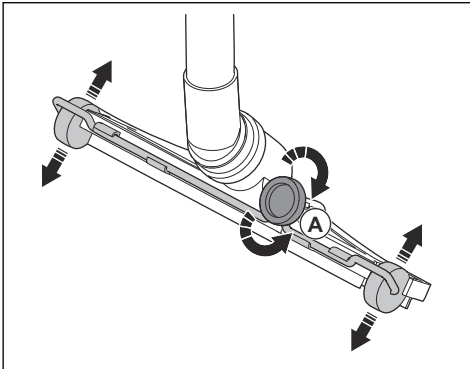


## De vloerzuigmond bevestigen en afstellen

1. Doe het uiteinde van de hendel helemaal in de schacht van de vloerzuigmond.



2. Draai de knop (A) aan de achterzijde van de vloerzuigmond om de wielen van de vloerzuigmond af te stellen. Verschillende oppervlakken en verschillende soorten stof en materiaal maken het nodig de wielen af te stellen voor een zo goed mogelijk resultaat.



## Draadloze Bluetooth®-technologie

Producten met ingebouwde draadloze Bluetooth®-technologie kunnen verbinding maken met mobiele apparaten en bieden extra functies vanaf het moment dat er Husqvarna verbinding wordt gemaakt.

Het symbool voor draadloze Bluetooth®-technologie gaat branden als uw mobiele apparaat is verbonden met het apparaat.



## Geïntegreerde connectiviteit gebruiken met fleet

**Let op:** Dit onderdeel is alleen van toepassing op producten die worden geleverd met geïntegreerde connectiviteit.

**Let op:** Radiotransmissie door de Bluetooth®-functie wordt ingeschakeld wanneer het product voor het eerst wordt aangesloten op het stopcontact en blijft daarna ingeschakeld.

1. Download de Husqvarna Fleet Services-app voor iOS of Android.
2. Ga naar de Husqvarna Fleet Services-website <https://fleetservices.husqvarna.com> voor meer informatie.

## Aansluiten van acculader

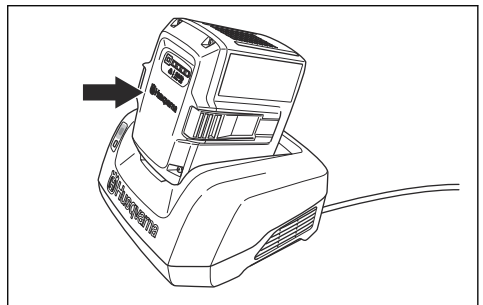
1. Sluit de acculader alleen aan als de spanning en frequentie overeenkomen met de specificaties op het productplaatje.
2. Steek de stekker in een geaard stopcontact. De LED op de acculader licht eenmaal groen op.

**Let op:** De accu wordt niet opgeladen als de accutemperatuur hoger is dan 50 °C/122 °F. Als de temperatuur hoger is dan 50 °C/122 °F, zal de acculader de accu afkoelen voordat de accu wordt opgeladen.

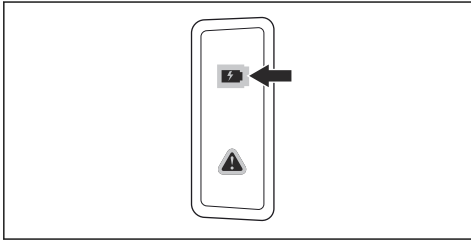
## De accu aansluiten op de acculader

**Let op:** Laad de accu op als u deze voor de eerste keer gebruikt. Een nieuwe accu is slechts 30% opgeladen.

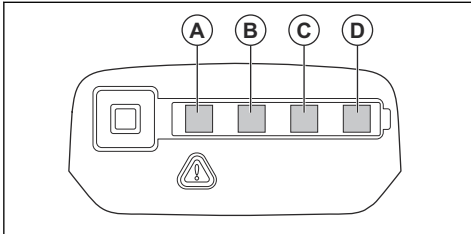
1. Zorg ervoor dat de accu droog is.
2. Plaats de accu in de acculader.



- Zorg ervoor dat het groene laadlampje op de acculader gaat branden. Dat betekent dat de accu goed is aangesloten op de acculader.



- Wanneer alle LED's op de accu branden, is de accu volledig opgeladen.



- Trek aan de stekker om de acculader uit de wandcontactdoos te halen. Trek niet aan de kabel.
- Haal de accu uit de acculader.

**Let op:** Raadpleeg de handleidingen van de accu en de acculader voor meer informatie.

## De transportwielen vergrendelen en ontgrendelen

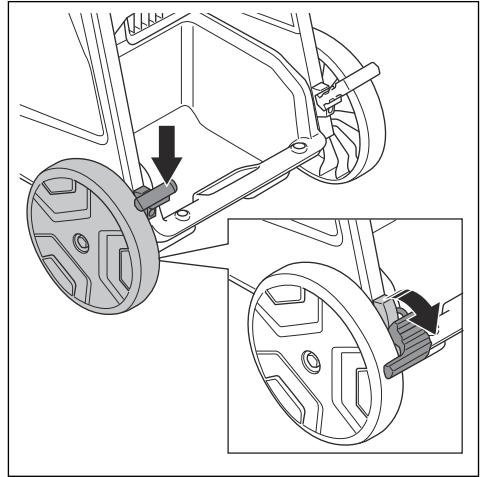
Voor gebruik op een oppervlak met helling moeten de transportwielen worden vergrendeld.



**WAARSCHUWING:** Voor veilige bediening moeten wielen en lagers schoon en stofvrij zijn. Zie *Onderhoudsschema op pagina 112*.

- Houd het product in een stationaire en veilige positie.

- Duw de wielrem aan beide kanten omlaag om de wielen te vergrendelen.

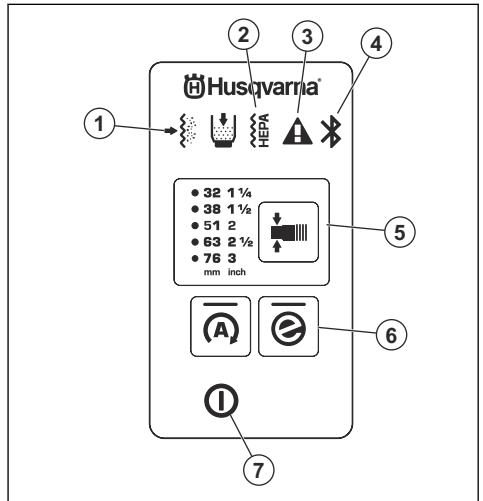


**Let op:** DE110i H heeft slechts 1 wielrem.

- Trek aan de wielremmen om de wielen te ontgrendelen.

## Functies van het bedieningspaneel

Het bedieningspaneel bestuurt en bewaakt belangrijke functies en instellingen van het product. Zie *Waarschuwingen op het bedieningspaneel op pagina 118* voor oplossingen voor de waarschuwingen.



- Het voorfilter is verstopt. Zie *Stofdeeltjes uit het voorfilter verwijderen tijdens bedrijf op pagina 110*.

- Het HEPA-filter is verstopt, beschadigd of ontbreekt. Zie *Waarschuwingen op het bedieningspaneel op pagina 118*.
- Waarschuwing. Zie *Waarschuwingen op het bedieningspaneel op pagina 118*.
- Bluetooth®-aansluiting Zie *Geïntegreerde connectiviteit gebruiken met fleet op pagina 106*.
- Functie diameter wijzigen voor slang, zie *De diameter van het mondstuk selecteren op pagina 108*
- e-Flow-knop, zie *e-Flow-functie op pagina 108*
- ON/OFF-knop

## e-Flow-functie





Het product heeft een e-Flow-functie. Deze functie past automatisch de luchtstroom aan de werklust aan voor optimale prestaties. Het product start altijd met de laatst gebruikte instellingen.

Zie *Functies van het bedieningspaneel op pagina 107* om de functie in of uit te schakelen.

## Waarschuwingssysteem luchtstroom

De luchtstroom in de aanzuigslang moet meer dan 20 m/s (66 ft/s) bedragen.

Raadpleeg voor de minimale luchtstroom met de geselecteerde slangdiameter de tabel.

| DE 110i H   |  | DE 120 H PACE  |  |
|---|--|--|--|
|  max. Ø |  V <sub>min</sub> |  max. Ø |  V <sub>min</sub> |
| inch (mm)   | CFM (m <sup>3</sup> /h)  | inch (mm)  | CFM (m <sup>3</sup> /h)  |
| 1 (27)  | 24 (41)  | 1 ½ (38)   | 48 (82)  |
| 1 ¼ (32)  | 34 (58)  | 1 ⅝ (42)   | 59 (100)   |
| 1 ½ (38)  | 48 (82)  | 2 (51)   | 87 (147)   |
| 1 ⅝ (42)  | 59 (100)   | 2 1/2 (63)   | 132 (224)  |
| 2 (51)  | 87 (147)   | 3 (76)   | 192 (327)  |

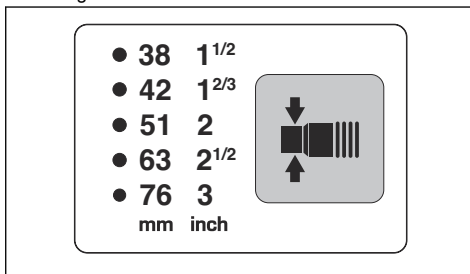
**Let op:** Als de luchtstroom minder dan 20 m/s (66 ft/s) bedraagt, klinkt het alarm en verschijnt er een waarschuwingssymbool. Zie *Waarschuwingen op het bedieningspaneel op pagina 118*.

## De diameter van het mondstuk selecteren

**Let op:** Als u niet de juiste slangdiameter selecteert, gaat het luchtstroomwaarschuwingssysteem aan.

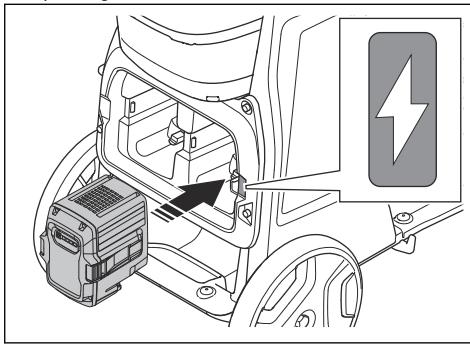
Wanneer u het product start, wordt de laatst geselecteerde slangdiameter automatisch geselecteerd.

- Druk op de knop om de juiste slangdiameter te selecteren. De groene led toont welke diameter u hebt geselecteerd.



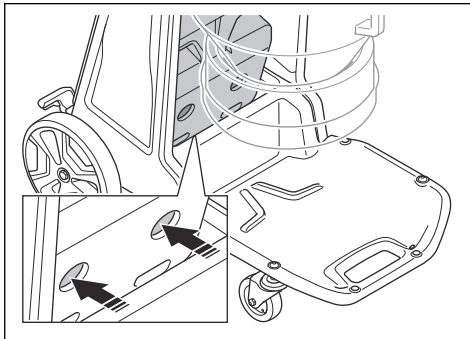
## De accu installeren en verwijderen

- Plaats de accu in de accuhouder. Het elektriciteitsymbool geeft aan welke houder onder spanning staat.

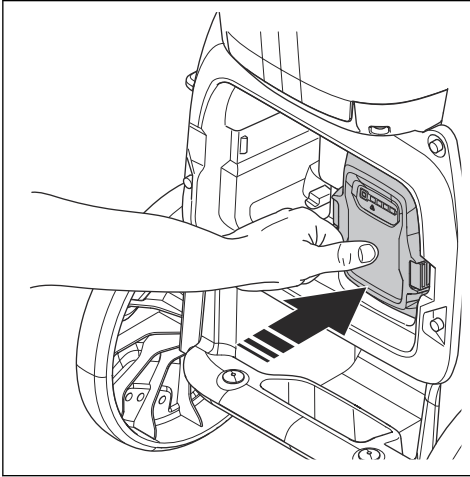


**OPGELET:** Controleer of de accu goed is aangebracht in de accuhouder. Als u de accu niet eenvoudig in de accuhouder kunt plaatsen, is de accu niet correct gepositioneerd.

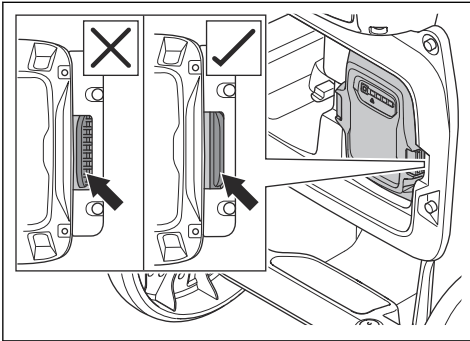
- Verwijder een geblokkeerde accu door de toegangsgaten door te duwen.



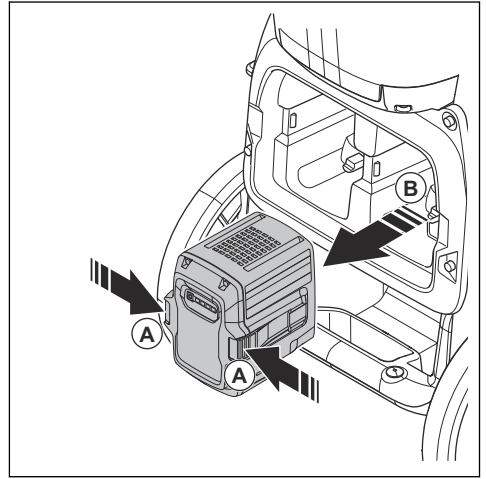
3. Druk op het onderste gedeelte van de accu totdat u een klik hoort.



4. Controleer de accuvergrendelingsindicator voor een correcte installatie van de accu. Dit geldt alleen voor DE 120 H PACE.



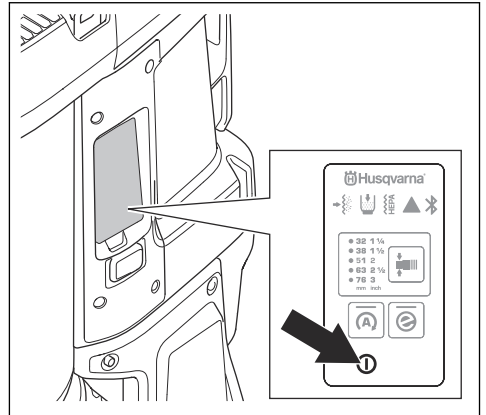
5. Druk op de accu-ontgrendelknoppen (A) en verwijder de accu (B) uit de accuhouder om onbedoeld starten te voorkomen.



## Starten en stoppen

**Let op:** De zuigkracht is bij de start niet direct op volle capaciteit, deze werkt na 5 seconden volledig.

1. Plaats de accu. Zie *De accu installeren en verwijderen op pagina 108*.
2. Druk op de ON/OFF-knop om het product te starten.



3. Selecteer de juiste slangdiameter. Zie *De diameter van het mondstuk selecteren op pagina 108*.
4. Om het product te stoppen, houdt u de ON/OFF-knop ingedrukt totdat het groene led-lampje uitgaat.
5. Verwijder de accu uit de accuhouder. Zie *De accu installeren en verwijderen op pagina 108*.

## Urenteller

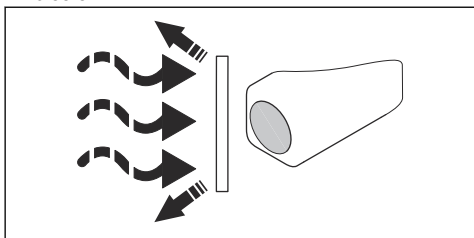
De urenteller geeft de totale bedrijfstijd van het product in uren weer.

## Stofdeeltjes uit het voorfilter verwijderen tijdens bedrijf

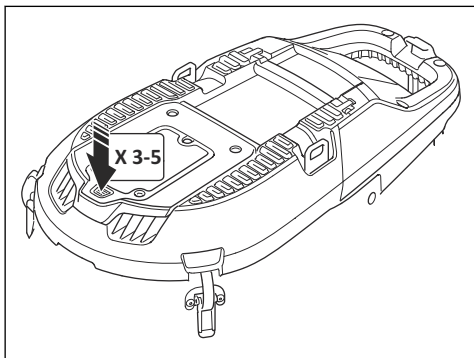
De filterdoorblaasprocedure verwijdert ongewenst materiaal uit het voorfilter. Volg de procedure in deze situaties:

- Vóór een werkstop of aan het einde van een werkdag. Als het product een tijdje is uitgeschakeld, heeft stof meer tijd om neer te komen. Hierdoor is de filterdoorblaasprocedure krachtiger.
- Wanneer de afzuiging ontoereikend is.
- Vóór installatie van een nieuwe Longopac-zak.
- Wanneer het alarm afgaat voor een verstopt voorfilter.

1. Stop het product en laat het stof in de Longopac-zak vallen.
2. Start het product. Zie *Starten en stoppen op pagina 109*.
3. Sluit de luchtstroom die door de luchtinlaat beweegt af met de inlaatplug of inlaatklep om een vacuüm te creëren.



4. Wacht 5 seconden op het vacuüm en druk vervolgens op de knop filter doorblazen. Doe deze stap 3 tot 5 keer. Het is belangrijk dat het product vacuüm trekt tussen elke keer dat u op de knop drukt.



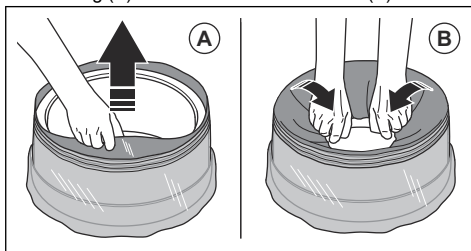
Als de afzuiging na deze procedure onvoldoende is, moet het voorfilter met water worden gereinigd. Zie *Het voorfilter met water reinigen op pagina 114*.

## Een nieuwe Longopac-zakcassette installeren

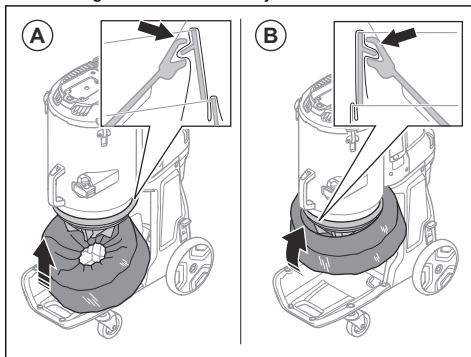


**OPGELET:** Reinig het voorfilter voordat u een nieuwe Longopac-cassette plaatst. Zie *Het voorfilter met water reinigen op pagina 114*.

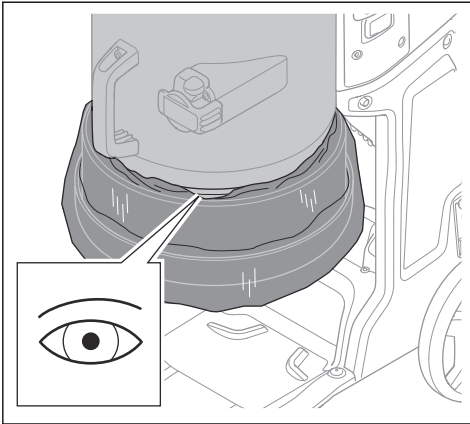
1. Doe de Longopac-cassette rond de binnenrand van de Longopac-houder.
2. Verwijder de 4 banden nadat u de Longopac in de houder hebt gedaan.
3. Trek de binnenlaag van de Longopac-cassette omhoog (A) en vouw deze in de houder (B).



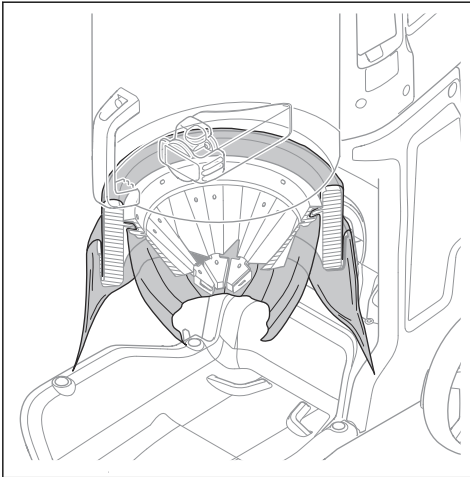
4. Bevestig de Longopac-houder aan de achterzijde van de container (A). Bevestig vervolgens de Longopac-houder aan de zijkanten en de voorkant van de container (B). Duw de Longopac-houder omhoog totdat u een duidelijke klik hoort.



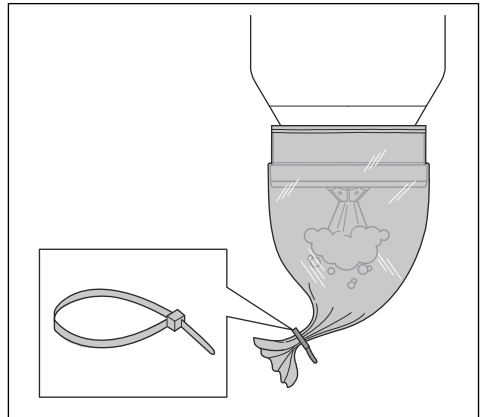
5. Controleer of de Longopac afgedicht is.



6. Trek de buitenlaag van de Longopac-cassette omlaag.



7. Sluit de onderkant van de Longopac met een kabelbinder.

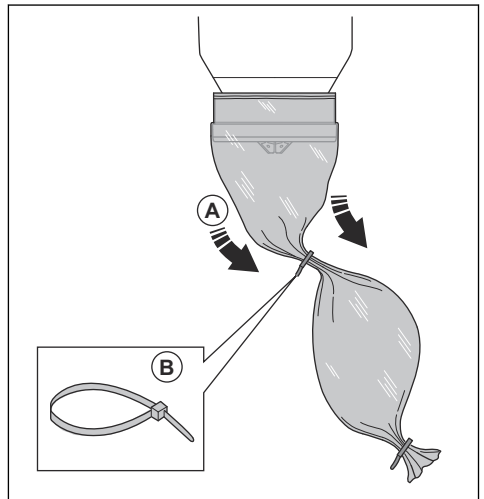


## Een volle Longopac-zak weggooien en een nieuwe Longopac-zak voorbereiden



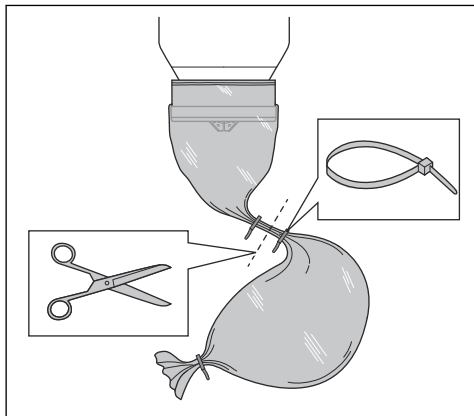
**WAARSCHUWING:** Til de Longopac-zak voorzichtig omhoog, een volle Longopac-zak kan zwaar zijn. Zorg ervoor dat de kabelbinders goed vastzitten voordat u de Longopac-zak eruit tilt.

1. Trek de Longopac-zak (A) eruit en bevestig een kabelbinder (B) om de nieuwe Longopac-zak te sluiten.



2. Schud het stof in de gebruikte Longopac-zak eruit.

3. Bevestig een kabelbinder 10 cm/3,9 inch onder de eerste kabelbinder om de gebruikte Longopac-zak te sluiten. Snijd de Longopac-zak tussen de kabelbinders af.



4. Als het resterende deel van de Longopac-zakcassette te klein is om een nieuwe Longopac-zak voor te bereiden, plaatst u een nieuwe Longopac-zakcassette. Zie *Een nieuwe Longopac-zakcassette installeren op pagina 110*.

5. Volg de plaatselijke regelgeving voor de afvoer van de volledige Longopac-zak.

## Na het afgeronde werk

1. Doe de filterdoorblaasprocedure. Zie *Stofdeeltjes uit het voorfilter verwijderen tijdens bedrijf op pagina 110*.
2. Stop het product, zie *Starten en stoppen op pagina 109*.
3. Gooi de Longopac-zak weg. Zie *Een volle Longopac-zak weggooien en een nieuwe Longopac-zak voorbereiden op pagina 111*.
4. Reinig het product. Zie *Product reinigen op pagina 114*.
5. Het product voor transport voorbereiden. Zie *Het product over lange afstanden verplaatsen op pagina 120*.

## Onderhoud

### Inleiding



**WAARSCHUWING:** Zorg dat u het hoofdstuk over veiligheid hebt gelezen en begrepen voordat u onderhoudswerkzaamheden aan het product gaat uitvoeren.



**WAARSCHUWING:** Verwijder de accu voordat u onderhoud aan het product uitvoert.



**WAARSCHUWING:** Als u niet regelmatig onderhoud uitvoert, neemt de levensduur van het product af en neemt het

risico op ongevallen toe. Alle onderhouds- en/of reparatiewerkzaamheden moeten door een professional worden uitgevoerd. Neem voor meer informatie contact op met uw dealer.



**WAARSCHUWING:** Volg alle plaatselijke regelgeving voor de correcte afvoer van gevaarlijk stof, voor en tijdens het onderhoud.

### Onderhoudsschema

De onderhoudsintervallen worden berekend op basis van het dagelijks gebruik van het product. De intervallen veranderen als het product niet dagelijks wordt gebruikt.

| Onderhoud   | Voor elk gebruik | Elke dag | Wekelijks | Wanneer de zuigkracht laag is | Om de 12 maanden of 600 uur | Om de 24 maanden of 2000 uur |
|---|------------------|----------|-----------|-------------------------------|-----------------------------|------------------------------|
| Doe de filterdoorblaasprocedure. Zie <i>Stofdeeltjes uit het voorfilter verwijderen tijdens bedrijf op pagina 110</i> . | X                |          |           |                               |                             |                              |



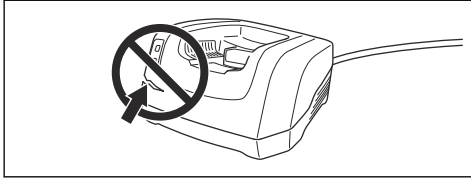
| Onderhoud  | Voor elk gebruik | Elke dag | Wekelijks | Wanneer de zuigkracht laag is | Om de 12 maanden of 600 uur | Om de 24 maanden of 2000 uur |
|--|------------------|----------|-----------|-------------------------------|-----------------------------|------------------------------|
| Ga op zoek naar tekenen van slijtage of beschadiging van de rubberen conus voor stofvrijgave.  | X                |          |           |                               |                             |                              |
| Controleer op tekenen van slijtage, beschadiging of losse aansluitingen van de bedieningselementen voordat de eenheid wordt aangesloten.   | X                |          |           |                               |                             |                              |
| Controleer de slang en de slangkoppe-lingen.   | X                |          |           |                               |                             |                              |
| Ga op zoek naar tekenen van slijtage of beschadiging van de kunststof onderde-<br>len.   | X                |          |           |                               |                             |                              |
| Controleer de hijsogen.  | X                |          |           |                               |                             |                              |
| Controleer of de Longopac correct is en correct is aangebracht. Zie <i>Een nieuwe Longopac-zakcassette installeren op pagina 110.</i>  |                  | X        |           |                               |                             |                              |
| Controleer de filterdoorblaasfunctie.  |                  | X        |           |                               |                             |                              |
| Controleer de wielen. Controleer op be-<br>schadigingen en slechte aansluitingen.  |                  |          | X         |                               |                             |                              |
| Controleer de filterafdichtingen   |                  |          | X         |                               |                             |                              |
| Doe de filterdoorblaasprocedure. Als de afzuiging dan nog steeds onvoldoende is, reinigt u het voorfilter met water. Zie <i>Het voorfilter met water reinigen op pagina 114.</i> |                  |          |           | X                             |                             |                              |
| Vervang het gereinigde voorfilter als de afzuiging nog steeds onvoldoende is. Zie <i>Het voorfilter vervangen op pagina 116.</i>   |                  |          |           | X                             |                             | X                            |
| Vervang het HEPA-filter.   |                  |          |           | X                             | X                           |                              |
| Vervang de rubberen conus voor stof-<br>vrijgave.  |                  |          |           |                               |                             | X                            |
| Vervang de rubberen onderdelen voor filterreiniging.   |                  |          |           |                               |                             | X                            |

## Het bedieningspaneel controleren

1. Houd de knop ON/OFF ingedrukt totdat de groene led gaat branden. Zie *Functies van het bedieningspaneel op pagina 107.*
2. Houd de knop ON/OFF ingedrukt totdat de groene led op het display uit gaat.

## De acculader controleren

1. Controleer of de acculader en voedingskabel niet beschadigd zijn. Controleer op scheuren en andere schade.

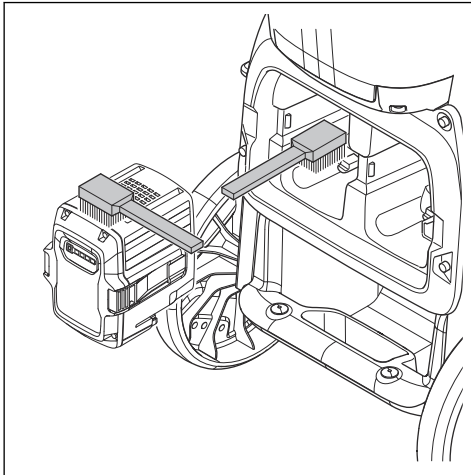


## De accu en de accuhouder controleren

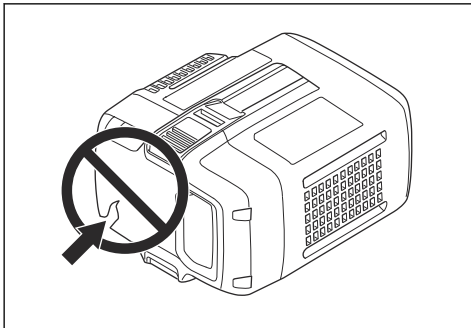


**OPGELET:** Reinig de accu of acculader nooit met water.

1. Reinig de accu en de accuhouder met een zachte borstel.



2. Reinig de koelsleuven en de accu-aansluitingen.
3. Controleer of de accu niet is beschadigd en geen beschadigingen vertoont zoals barsten.



## Product reinigen

Tijdens bedrijf kunnen alle onderdelen van het product en alle gebruikte apparatuur vervuild raken. Daarom is het noodzakelijk alle onderdelen van het product en alle gebruikte apparatuur grondig en zorgvuldig te reinigen.



**WAARSCHUWING:** Ontkoppel het product van de voeding.



**WAARSCHUWING:** Reinig het product voordat het uit het werkgebied wordt geplaatst. Resterend stof op het product kan de lucht in vliegen en een gezondheidsrisico vormen.

- Maak altijd gebruik van persoonlijke beschermingsmiddelen. Zie *Persoonlijke beschermingsuitrusting op pagina 104*.
- Reinig het product niet met een hogedrukreiniger of perslucht.
- Reinig het externe oppervlak met een vochtige doek.
- Gebruik geen water op elektrische onderdelen.
- Reinig de filters zoals in *Het voorfilter met water reinigen op pagina 114* en *Het HEPA-filter vervangen op pagina 116*.
- Doe afgedankte onderdelen na onderhoud in plastic zakken. Neem voor de correcte procedure de lokale voorschriften in acht.
- Als u water gebruikt om het product te reinigen, verwijder dan eerst het voorfilter en de Longopac. Let erop dat er geen water in het HEPA-filter terechtkomt.

## Het voorfilter met water reinigen



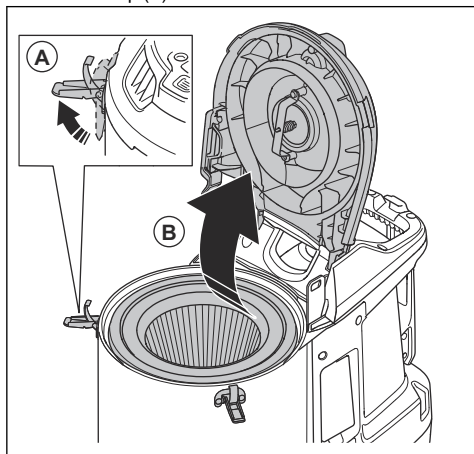
**OPGELET:** Gebruik geen hogedrukreiniger of perslucht om het voorfilter te reinigen. Sla niet hard tegen het voorfilter om het te reinigen.



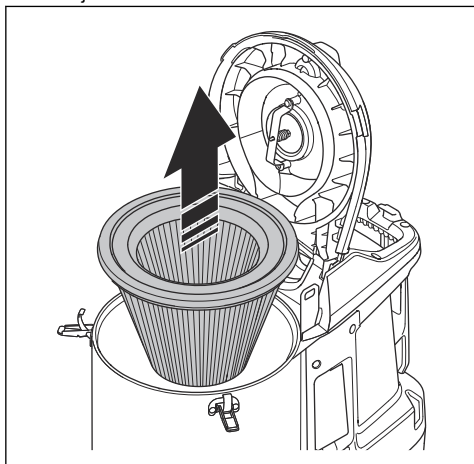
**OPGELET:** Laat het niet in de volle zon drogen. De afdichtingen drogen erdoor uit.

**Let op:** Als u het voorfilter met water reinigt, neemt de efficiëntie ervan langzaam af.

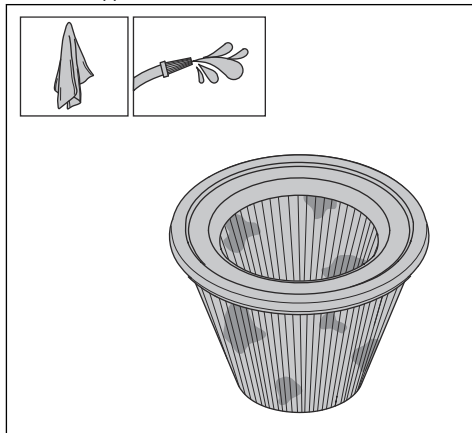
1. Maak de kapvergrendelingen (A) los en open de voorfilterkap (B).



2. Verwijder het voorfilter.



3. Reinig het voorfilter met stromend water aan het binnenoppervlak van het voorfilter.



**OPGELET:** De waterdruk mag niet hoger zijn dan 4 bar.



**OPGELET:** Zorg ervoor dat het oppervlak niet wordt geraakt en dat er geen voorwerpen door het oppervlak komen, omdat het filter hierdoor beschadigd raakt.

4. Laat het voorfilter helemaal opdrogen.



**OPGELET:** Het voorfilter moet 100% droog zijn voordat het in de behuizing wordt aangebracht.

5. Plaats het voorfilter, sluit de voorfilterkap en draai de kapvergrendelingen aan.

Als het voorfilter niet helemaal kan worden gereinigd of als het beschadigd is, moet het worden vervangen. Zie *Het voorfilter vervangen op pagina 116*.

## Vervangen van het filter



**WAARSCHUWING:** Maak altijd gebruik van persoonlijke beschermingsmiddelen. Zie *Persoonlijke beschermingsuitrusting op pagina 104*. Gevaarlijk stof kan tijdens het vervangen van het filter in de lucht vrijkomen.



**WAARSCHUWING:** Stop het product en haal de stekker uit het stopcontact voordat u het filter vervangt.

## Het voorfilter vervangen

1. Verwijder het voorfilter. Zie *Het voorfilter met water reinigen op pagina 114*.
2. Doe het voorfilter voorzichtig in een plastic zak.
3. Voer de plastic zak correct af. Neem de lokale voorschriften in acht.
4. Installeer het nieuwe voorfilter.

Als de afzuiging na plaatsing van een nieuw voorfilter ontoereikend is, moet het HEPA-filter worden vervangen. Zie *Het HEPA-filter vervangen op pagina 116*.

## Het HEPA-filter vervangen

Het HEPA-filter kan niet worden gereinigd. Het moet altijd door een nieuw HEPA-filter worden vervangen. Gebruik alleen Husqvarna HEPA-filters.



**WAARSCHUWING:** Alleen een goedgekeurd servicecentrum of een erkende autoriteit mag het HEPA-filter vervangen.



**WAARSCHUWING:** Gebruik altijd persoonlijke beschermingsmiddelen, zie *Persoonlijke beschermingsuitrusting op pagina 104*.



**WAARSCHUWING:** De deeltjes in het HEPA-filter zijn schadelijk voor uw gezondheid.



**WAARSCHUWING:** Zorg ervoor dat er geen gaten in het HEPA-filter zitten. Een beschadigd HEPA-filter vormt een risico voor de gezondheid.

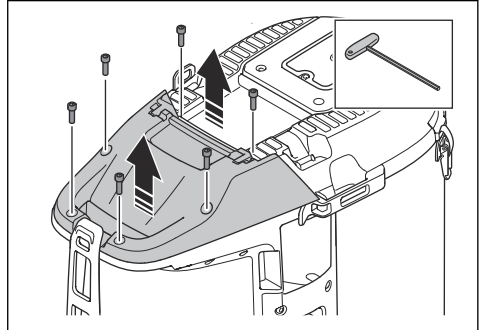


**WAARSCHUWING:** Breng geen gebruikt HEPA-filter aan. Als u een gebruikt HEPA-filter installeert, kan lekkage en een verminderde effectiviteit van het filter optreden.

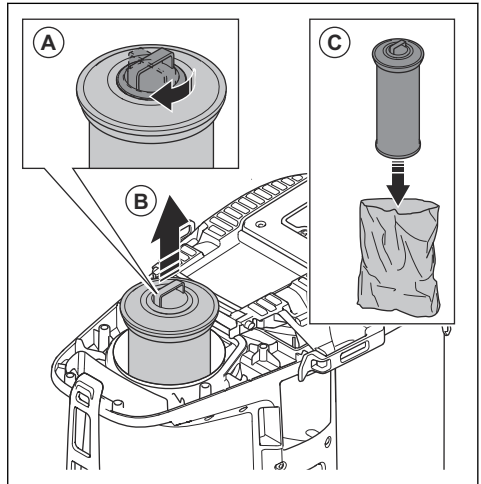


**OPGELET:** Raak het binnenoppervlak van het HEPA-filter niet aan. Dit kan schade aan het HEPA-filter veroorzaken.

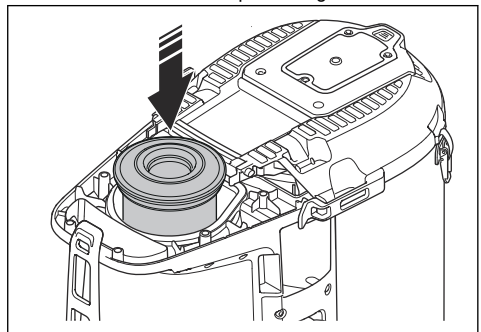
1. Maak de 6 schroeven los en verwijder de HEPA-filterkap.



2. Bevestig de stofkap (A) en trek het HEPA-filter naar buiten. Stop het in een schone plastic zak (C).



3. Voer de plastic zak correct af. Neem de lokale voorschriften in acht.
4. Monteer een nieuw HEPA-filter. Zorg ervoor dat het HEPA-filter naar de eindpositie is geduwd.



5. Monteer de HEPA-filterkap en draai de 6 schroeven vast.

## Probleemoplossing

### Schema voor storingzoeken

| Probleem  | Oorzaak  | Oplossing   |
|---|--|---|
| De motor stopt direct na het starten of start niet. | Er is geen voeding.                                  | Sluit de accu aan op het product.   |
|   | Er is een storing in de accu.                        | Controleer de accu en vervang deze indien nodig. Laat onderhoud aan het product uitvoeren door een erkende servicewerkplaats. |
|   | De groene led knippert op de accu.                   | Lage accuspanning. Laad de accu op.   |
|   | Het HEPA-filter is beschadigd of niet geïnstalleerd. | Vervang of plaats het HEPA-filter.  |
|   | Er is kortsluiting in het product.                   | Laat onderhoud aan het product uitvoeren door een erkende servicewerkplaats.  |
|   | Te hoge spanning in voeding.                         | Controleer of de juiste voeding wordt gebruikt.   |
|   | Omgevingstemperatuur te hoog.                        | Zorg ervoor dat de omgevingstemperatuur binnen het opgegeven bereik ligt wanneer u het product gebruikt.                      |
|   | Ventilator is kapot of niet aangesloten.             | Laat onderhoud aan het product uitvoeren door een erkende servicewerkplaats.  |
| De motor staat aan maar er is geen afzuiging.       | De stofzuigerslang is niet goed aangesloten.         | Sluit de stofzuigerslang aan.   |
|   | De stofzuigerslang is geblokkeerd.                   | Reinig de stofzuigerslang.  |
|   | Er is geen Longopac.                                 | Plaats een Longopac-cassette.   |
|   | De Longopac is niet met een kabelbinder afgesloten.  | Maak een kabelbinder vast.  |

| Probleem                               | Oorzaak   | Oplossing  |
|--|---|--|
| Er is onvoldoende afzuiging.           | Te lage spanning in voeding.                        | Controleer of de juiste voeding wordt gebruikt.                                |
|  | Er zit een gat in de stofzuigerslang.               | Vervang de stofzuigerslang.  |
|  | Het voorfilter is verstopt.                         | Verwijder stofdeeltjes van het voorfilter. Reinig of vervang het indien nodig. |
|  | Het HEPA-filter is verstopt.                        | Vervang het HEPA-filter. Zie <i>Het HEPA-filter vervangen op pagina 116</i> .  |
|  | De bovenkap is los.                                 | Sluit de bovenkap helemaal.  |
|  | De afdichtingen zijn kapot                          | Vervang de afdichtingen.   |
| Er gaat stof van de motor de lucht in. | De filters zijn niet goed gemonteerd of beschadigd. | Monteer de filters op de juiste manier. Vervang beschadigde filters.           |
| Het product maakt een vreemd geluid.   | N.v.t.  | Laat onderhoud aan het product uitvoeren door een erkende servicewerkplaats.   |



## Waarschuwingen op het bedieningspaneel



**OPGELET:** Gebruik het product niet als het rode licht gaat branden. Als de oorspronkelijke oplossing de fout niet

wegneemt, neem dan contact op met een erkende servicewerkplaats voordat u het product weer gaat gebruiken.

| Symbol | Signaal-                                  | Oorzaak  | Oplossing   |
|--------|---|--|---|
|        | Zoemer klinkt en het rode licht gaat aan. | Het voorfilter is verstopt.  | Doe een filterdoorblaasprocedure, zie <i>Stofdeeltjes uit het voorfilter verwijderen tijdens bedrijf op pagina 110</i> .                                  |
|        |   | Onjuiste slang is aangesloten of geselecteerd op het bedieningspaneel. | Bevestig de juiste slang of selecteer de juiste slangafmeting op het bedieningspaneel, zie <i>De diameter van het mondstuk selecteren op pagina 108</i> . |
|        |   | De slang is beschadigd of samengedrukt.                                | Vervang de slang.   |
|        |   | De slang is verstopt.  | Maak de slang vrij.   |
|        | Het rode licht knippert.                  | De hoofdvacuümslang is losgekoppeld.                                   | Laat onderhoud aan het product uitvoeren door een erkende servicewerkplaats.  |
|        | Het rode licht gaat branden.              | Het HEPA-filter ontbreekt, is vol of beschadigd.                       | Controleer het HEPA-filter, vervang het indien nodig. Zie <i>Het HEPA-filter vervangen op pagina 116</i> .  |

| Symbol  | Signaal-                     | Oorzaak                              | Oplossing  |
|---|------------------------------|--------------------------------------|--|
|   | Rood lampje knippert.        | Fout in accu.                        | Laat onderhoud aan het product uitvoeren door een erkende servicewerkplaats.                         |
|   | Het rode licht gaat branden. | Draadcommunicatie niet gedetecteerd. | Laat onderhoud aan het product uitvoeren door een erkende servicewerkplaats.                         |
|   |                              | De regeleenheid is beschadigd.       | Laat onderhoud aan het product uitvoeren door een erkende servicewerkplaats.                         |
|   |                              | Verkeerde accu wordt gebruikt.       | Gebruik de juiste accu.  |
|   |                              | Waarschuwing.                        | Bekijk het register van uw Husqvarna Fleet-app of neem contact op met een erkende servicewerkplaats. |
|  | Het gele licht gaat branden. | Het HEPA-filter is bijna vol.        | Vervang het HEPA-filter, indien nodig.   |
|   | Het rode licht gaat branden. | Het HEPA-filter is bijna vol.        | Vervang het HEPA-filter.   |

## Foutcodes

| Fout-code | Fout                      | Beschrijving   | Waarschijnlijke oorza(a)k(en)                   | Actie(s)   |
|-----------|---------------------------|--|---|--|
| 2         | HEPA-filter ontbreekt.    | Product gaat uit/start niet.<br>+ Waarschuwinglampje op HMI.<br>+ HEPA-symbool op HMI. | HEPA-filter ontbreekt of is beschadigd.         | Monteer of vervang het HEPA-filter.                                  |
| 3         | Lage voedingspanning.     | Laag rendement (lage luchtstroom/laag vacuüm).   | Te lage spanning in netwerk/voeding.            | Zorg ervoor dat het juiste netwerk/de juiste voeding wordt gebruikt. |
| 4         | Hoge voedingspanning.     | Product gaat uit/start niet.<br>+ Waarschuwingdiode op HMI.                            | Te hoge spanning in netwerk/voeding.            | Zorg ervoor dat het juiste netwerk/de juiste voeding wordt gebruikt. |
|           |                           |  | Verkeerde accu gebruikt.                        | Gebruik de juiste accu.  |
| 5         | Sensorfout hoofddruk.     | Het voorfilterlampje knippert rood.  | Vacuümslang is niet aangesloten of geblokkeerd. | Neem contact op met een erkende servicewerkplaats.                   |
|           |                           |  | Regeleenheid is beschadigd.                     |  |
| 6         | PCBA-temperatuur te hoog. | Product gaat uit/start niet.<br>+ Waarschuwingdiode op HMI.                            | Omgevingstemperatuur te hoog.                   | Gebruik het product niet buiten het opgegeven temperatuurbereik.     |

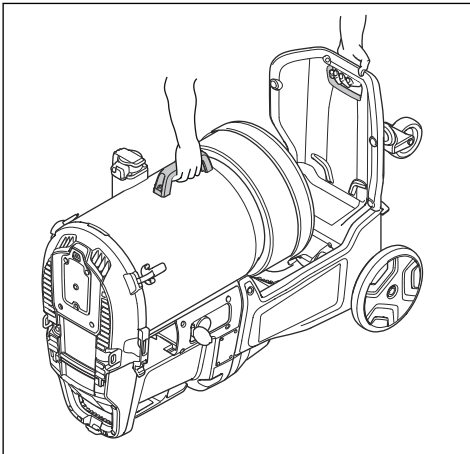
| Fout-code | Fout                                     | Beschrijving   | Waarschijnlijke oorza(a)k(en)                 | Actie(s)  |
|-----------|--|--|---|---|
| 7         | Storing ventilator.                      | Product gaat uit/start niet.<br>+ Waarschuwingsdiode op HMI. | Ventilator is beschadigd of niet aangesloten. | Neem contact op met een erkende service-werkplaats. |
|           |  |  | Regeleenheid is beschadigd.                   |   |
| 9         | Eendraadscommunicatie niet gedetecteerd. | Product gaat uit/start niet.<br>+ Waarschuwingsdiode op HMI. | Kabel losgekoppeld of beschadigd.             | Neem contact op met een erkende service-werkplaats. |

## Vervoer, opslag en verwerking

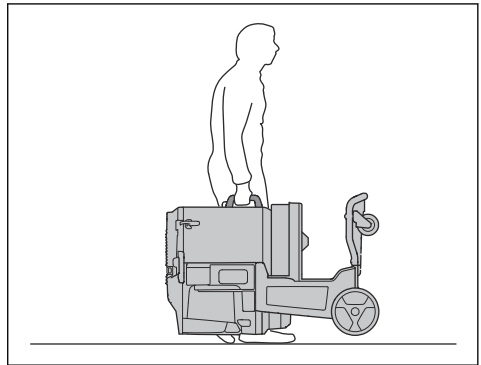
### Het product over korte afstanden verplaatsen

Controleer of de inlaatklep is gesloten. Controleer of de stofdoppen op de slangen zitten.

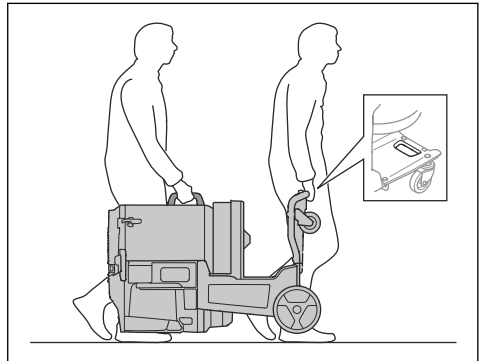
1. Plaats het product op de grond.



2. Til het product met de hand op.



3. Als 2 personen het product optillen, gebruik dan de 2 hijspunten.



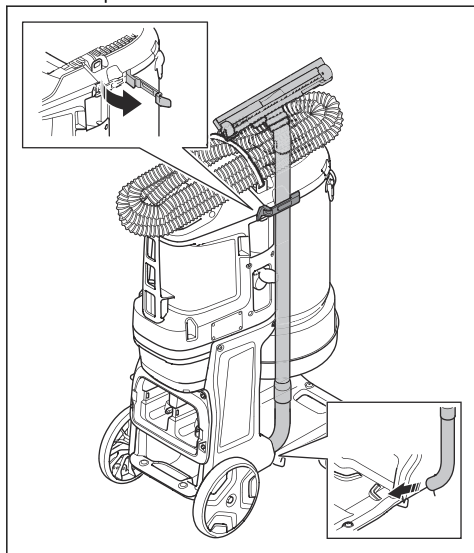
### Het product over lange afstanden verplaatsen

Gebruik een gesloten voertuig om het product te vervoeren.

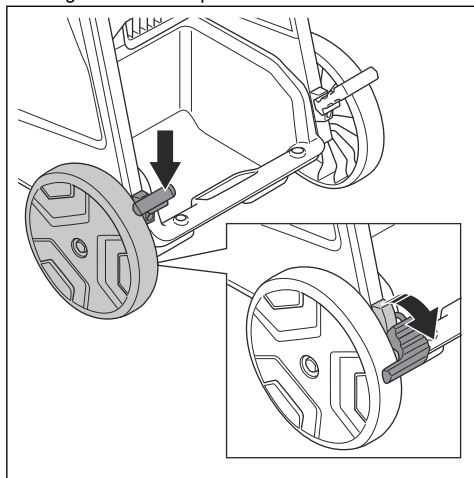


Controleer of de inlaatklep is gesloten. Controleer of de stofdoppen op de slangen zitten.

1. Zorg ervoor dat de Longopac aan het product is bevestigd.
2. Zorg ervoor dat de Longopac-zak leeg is.
3. Bevestig het netsnoer, de stofzuigerslang en de buis aan het product.

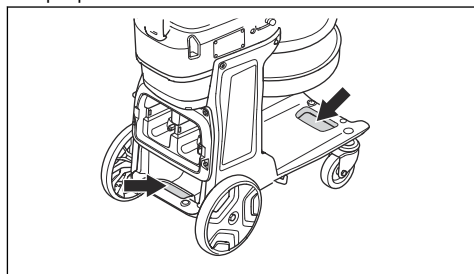


4. Vergrendel de transportwielen.



5. Til het product op, zie *Het product optillen op pagina 121*.

6. Zet het product goed vast op het transportvoertuig om schade en ongelukken te voorkomen. Gebruik de spanpunten.



### Het product optillen



**WAARSCHUWING:** Zorg ervoor dat de hijsapparatuur en de hijsbanden de juiste specificaties hebben om het product veilig op te tillen. Het typeplaatje op het product geeft het gewicht van het product aan, zie *Typeplaatje op pagina 99*.



**WAARSCHUWING:** Roep hulp in als u niet zeker weet hoe zware apparatuur moet worden geheven.



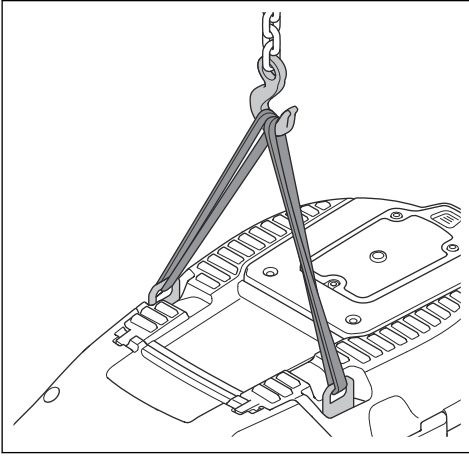
**WAARSCHUWING:** Til het product niet op met stof in de tank of in de -zak. Til het product niet op met extra gewicht in of op het product.



**WAARSCHUWING:** Til het product niet op als er accu's zijn geplaatst.

1. Doe de filterdoorblaasprocedure voordat u het product optilt. Zie *Stofdeeltjes uit het voorfilter verwijderen tijdens bedrijf op pagina 110*.

2. Om het product veilig op te tillen, moet u de banden door de hijsogen doen.



**WAARSCHUWING:** Gebruik geen metalen haken, kettingen of andere hijsapparatuur met ruwe randen die schade aan het hijsog kunnen veroorzaken. Alleen zachte hijsbanden zijn toegestaan.

## Het product opslaan



**OPGELET:** Sla het product binnen op uit de buurt van externe elementen.

- Sla het product op bij omgevingstemperaturen tussen  $-10\text{ }^{\circ}\text{C}/14\text{ }^{\circ}\text{F}$  en  $40\text{ }^{\circ}\text{C}/104\text{ }^{\circ}\text{F}$ .
- Doe voor opslag de filterdoorblaasprocedure en gooi de Longopac met het verzamelde materiaal weg.
- Haal de stekker van het product uit het stopcontact.
- Zet het product in een droge en vorstvrije ruimte.
- Plaats het product in een afgesloten ruimte. Laat het product niet door kinderen of onbevoegde personen bedienen; houd het buiten hun bereik.

## Het product afvoeren

- Neem de plaatselijk geldende wet- en regelgeving voor recycling in acht.
- Wanneer het product niet langer wordt gebruikt, stuur het dan naar een Husqvarna-dealer of voer het af via een recyclingslocatie.

## Technische gegevens

### Technische gegevens

| Gegevens   | DE 110i H                     | DE 120 H PACE                 |
|--|-------------------------------|-------------------------------|
| Stroombron   | Accu                          | Accu                          |
| Nominale spanning, V   | 36                            | 94                            |
| Maximaal vermogen, W   | 900                           | 2200                          |
| Maximale stroom, A   | 20                            | 17                            |
| Maximale luchtstroom, cfm / m <sup>3</sup> /h  | 127 / 215                     | 259/450                       |
| Maximale vacuüm, psi / kPa / inc. H <sub>2</sub> O                                   | 2,5 / 17 / 68                 | 2,9 / 22 / 88                 |
| Extra contactdoos  | Nee                           |                               |
| Voorfilteroppervlakte, ft <sup>2</sup> /m <sup>2</sup>                               | 15,4 / 1,4                    | 29,5 / 2,7                    |
| Filterefficiëntie HEPA   | HEPA 13                       |                               |
| Totale HEPA-oppervlakte, ft <sup>2</sup> / m <sup>2</sup> HEPA 13                    | 12,7 / 1,2                    | 25,4 / 2,4                    |
| Stofopvangsysteem, type  | Longopac                      |                               |
| Filterreinigingsmechanisme   | Jet Pulse                     |                               |
| Afmetingen LxBxH, inch/mm  | 26,4×15,7×39,4 / 670×400×1000 | 32,1×21,3×44,3 / 815×542×1125 |
| Gewicht, lbs / kg  | 57 / 26                       | 90/41                         |
| Geluidsvermogeniveau L <sub>WA</sub> gemeten, dB(A) <sup>10</sup>                    | 83,6                          | 97,3                          |
| Geluidsdruk niveau L <sub>PA</sub> bij het oor van de gebruiker, dB(A) <sup>11</sup> | 68,3                          | 83,8                          |
| Trillingsniveau a <sub>h</sub> , m/s <sup>212</sup>                                  | ≤2,5                          |                               |
| Beschermingsklasse   | IP44                          |                               |

### Geïntegreerde connectiviteit

**Let op:** Dit onderdeel is alleen van toepassing op producten die worden geleverd met geïntegreerde connectiviteit.

| Radiospectrum BLE-technologie              |             |
|--|-------------|
| Frequentiebanden voor het gereedschap, GHz | 2,402-2,480 |

<sup>10</sup> Geluidsemisies naar de omgeving gemeten als geluidsvermogen (LWA) volgens EN 60335-2-69. Onzekerheidsmarge Kwa 2 dB.

<sup>11</sup> Geluidsdruk niveau volgens EN 60335-2-69. Onzekerheidsmarge KPA 2 dB.

<sup>12</sup> Trillingsniveau volgens EN 60335-2-69. De gerapporteerde gegevens voor een trillingsniveau vertonen een typische statistische spreiding (standaardafwijking) van 1 m/s<sup>2</sup>.

|  |       |
|--|-------|
| <b>Radiospectrum BLE-technologie</b>               |       |
| Maximaal overgebracht radiofrequentievermogen, dBm | 4/2,5 |

---

## Accessoires

---

### Goedgekeurde accu's voor het product

| Product              | DE 110i H   |             | DE 120 H PACE |                |
|----------------------|-------------|-------------|---------------|----------------|
|                      | Accu        | BLi 200     | BLi 300       | 100-B380X PACE |
| Type                 | Lithium-ion | Lithium-ion | Lithium-ion   | Lithium-ion    |
| Accucapaciteit, Ah   | 5,2         | 9,4         | 4             | 8              |
| Nominale spanning, V | 36          | 36          | 94            | 94             |
| Gewicht, kg/lb       | 1,3 / 2,9   | 1,9 / 4,2   | 3,1 / 6,1     | 5,1 / 11,4     |

### Goedgekeurde acculaders voor het product

| Product        | DE 110i H |         | DE 120 H PACE |                |
|----------------|-----------|---------|---------------|----------------|
|                | Acculader | QC 330  | QC 500        | 100-C900X PACE |
| Netspanning, V | 100-240   | 100-240 | 100-240       | 100-240        |
| Frequentie, Hz | 50-60     | 50-60   | 50-60         | 50-60          |
| Vermogen, W    | 330       | 500     | 900           | 1800           |

---

# Verklaring van overeenstemming

---

## EU-verklaring van overeenstemming

Wij, **Husqvarna AB**, SE 561 82 Huskvarna,  
Zweden, tel: +46 36 146500, verklaren onder onze  
alleenverantwoordelijkheid dat het product:

|                      |                                   |
|----------------------|-----------------------------------|
| <b>Beschrijving</b>  | Stofzuiger                        |
| <b>Merk</b>          | HUSQVARNA                         |
| <b>Type / model</b>  | DE 110i H, DE 120 H PACE          |
| <b>Identificatie</b> | Serienummers vanaf 2023 en verder |

volledig voldoet aan de volgende EU-richtlijnen en  
-regelgeving:

| <b>Richtlijn/Verordening</b> | <b>Beschrijving</b>                             |
|------------------------------|---|
| 2006/42/EC                   | "betreffende machines"                          |
| 2014/53/EU                   | "betreffende radioapparatuur"                   |
| 2011/65/EU                   | "betreffende beperking van gevaarlijke stoffen" |

en dat de volgende normen en/of technische  
specificaties zijn toegepast;

EN ISO 12100:2010

EN 60335-2-69:2012

EN IEC 55014-1:2021

EN IEC 55014-2:2021

ETSI EN 300 328 V2.2.2

EN IEC 63000:2018

Partille, 2023-07-24



Martin Huber

R&D Director, betonnen oppervlakken en vloeren

Husqvarna AB, Construction Division

Verantwoordelijk voor technische documentatie

---

## Geregistreerde handelsmerken

---

Het *Bluetooth*<sup>®</sup>-woordmerk en de logo's zijn geregistreerde handelsmerken die eigendom zijn van *Bluetooth SIG, inc.* en het gebruik van deze merken door Husqvarna vindt plaats onder licentie.





FR

Cet appareil,  
ses cordons,  
et batterie  
se recyclent

À DÉPOSER  
EN MAGASIN



OU

À DÉPOSER  
EN DÉCHÈTERIE



Points de collecte sur [www.quefairedemesdechets.fr](http://www.quefairedemesdechets.fr)  
Privilégiez la réparation ou le don de votre appareil !

# Husqvarna®

[www.husqvarnaconstruction.com](http://www.husqvarnaconstruction.com)

Original instructions  
Originalanweisungen  
Instructions d'origine  
Originele instructies

1142552-20

Rev. C



FR



2023-07-28