



 **Husqvarna**[®]



LF 60i LAT

Contents

Introduction.....	2	Technical data.....	20
Safety.....	6	Approved batteries for the product.....	21
Operation.....	12	Approved battery chargers for the product.....	22
Maintenance.....	15	Embedded connectivity.....	23
Troubleshooting.....	18	Declaration of Conformity.....	24
Transportation, storage and disposal.....	18	Registered trademarks.....	26

Introduction

California Proposition 65



WARNING

This product contains or emits a chemical known to the State of California to cause cancer or birth defects or other reproductive harm.

Product description

The product is a walk-behind light forward plate compactor with an electric motor. The product is used for compaction of thin to moderately thick layers of granular soils. With the optional water tank, the product can also be used for compaction of asphalt.

Descriptions of the identification letters for the product variants:

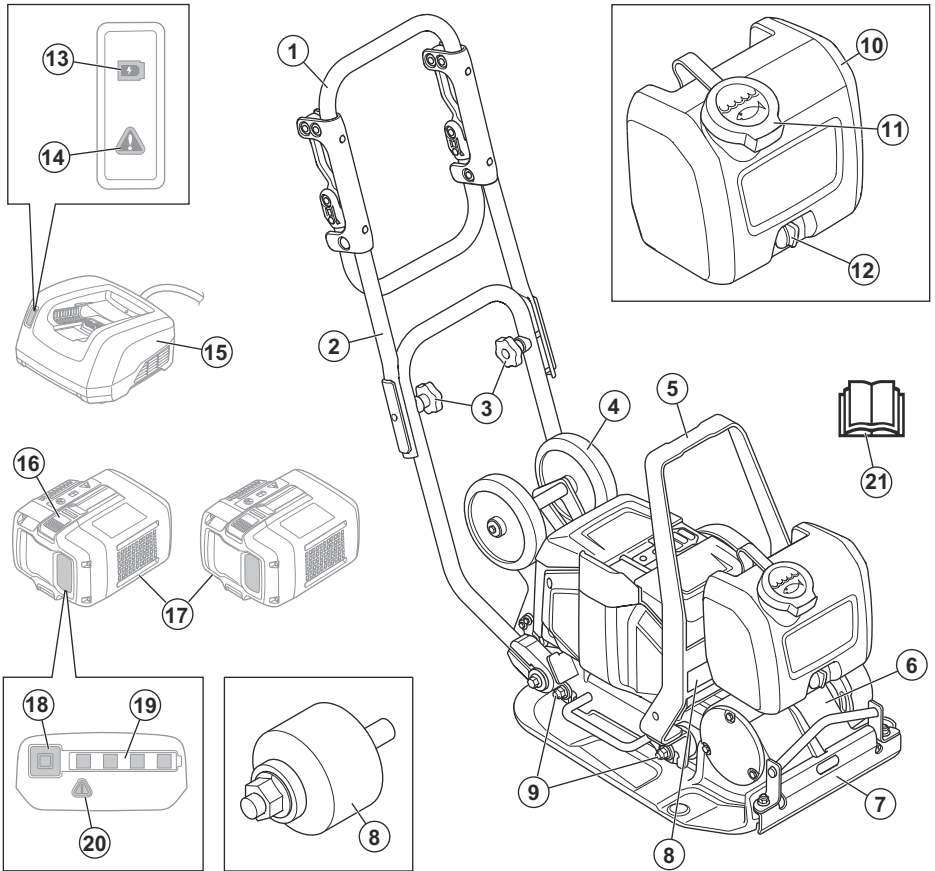
- L = Low vibration handle is included.
- A = Water tank for compaction of asphalt is included.
- T = Transport wheels are included.

The product has embedded connectivity. Refer to *Embedded connectivity on page 5*.

Intended use

The product is for professional operation only. Use the product for repairs and maintenance of driveways, paths and parking lots. With the optional block paving kit the product can also be used for block paving. Do not use the product for other tasks.

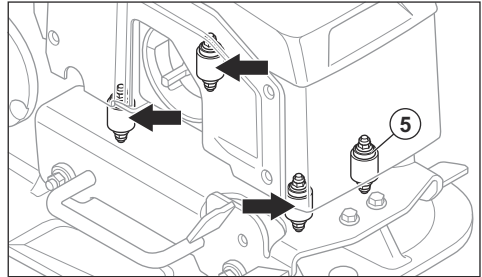
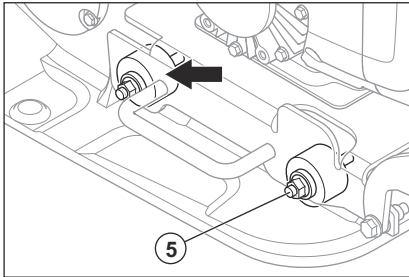
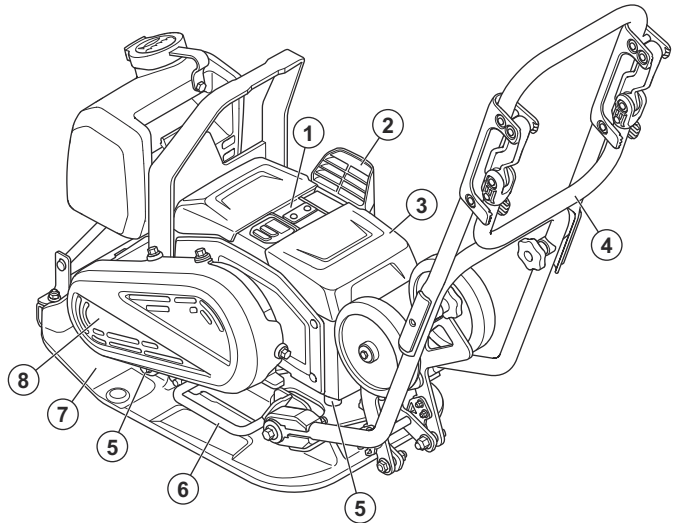
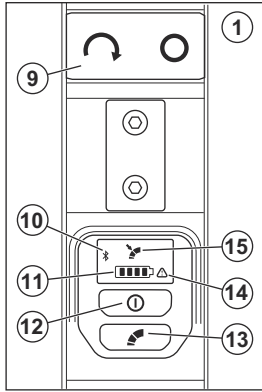
Product overview front



1. Handle
2. Upper handle
3. Handle knobs
4. Transportation wheel
5. Lifting point
6. Eccentric element
7. Water supply
8. Type plate
9. Vibration damping units

10. Water tank
11. Water tank cap
12. Water tap
13. Charge indicator
14. Warning indicator for the charger
15. Battery charger (not included)
16. Battery release switch
17. Batteries (not included)
18. Battery indicator button
19. Battery status indicator
20. Warning indicator for the battery
21. Operator's manual

Product overview rear



1. Control panel
2. Air intake
3. Battery cover
4. Low vibration handle
5. Vibration damping units
6. Lifting handle
7. Bottom plate
8. Belt cover
9. START/STOP button
10. Bluetooth® indicator
11. Battery level indicator. Refer to *Battery status on page 12*.
12. ON/OFF button
13. Slow speed control button. Refer to *To adjust the speed on page 14*.
14. Warning indicator

15. Slow speed indicator

Symbols on the product



WARNING: This product can be dangerous and cause serious injury or death to the operator or others. Be careful and use the product correctly.



Read the manual carefully and make sure that you understand the instructions before you use the product.



Use heavy-duty slip-resistant boots.



Wear approved hearing protection.



To lift the product, attach lifting equipment to the lift point on the product.



Hot surface.



Keep your hands away from this area.



If the product features *Bluetooth*[®] wireless technology. The *Bluetooth*[®] symbol will be marked on the product name label.



The product is not domestic waste. Recycle it at an approved disposal location for electrical and electronic equipment.



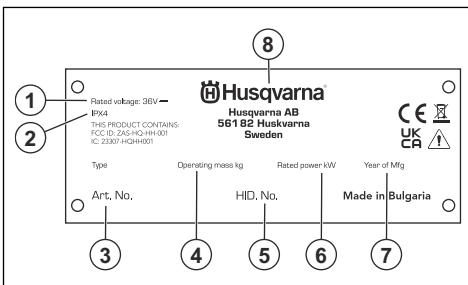
This product is in compliance with applicable EC directives. Refer to *EC Declaration of Conformity on page 24*.



This product conforms to the applicable UK regulations. Refer to *UK Declaration of Conformity on page 25*.

Note: Other symbols/decals on the product refer to special certification requirements for some markets.

Type plate



1. Rated voltage
2. IP classification

3. Product number
4. Product weight
5. Serial number
6. Rated power
7. Production year
8. Manufacturer

Embedded connectivity

The cloud asset management solution Husqvarna Fleet Services™ gives the fleet manager an overview of all products that are connected via either embedded or aftermarket sensors. The position of the gateway or smartphone can be used to indicate the location of connected products. The sensors record data like runtime, service intervals and more. For more information about the cloud asset management solution Husqvarna Fleet Services™, download the iOS or Android app Husqvarna Fleet Services at <https://apps.apple.com/se/app/husqvarna-fleet-services/id1334672726> or <https://play.google.com/store/apps/details?id=com.husqvarna.hfsmobile&hl=en>. Speak to your Husqvarna sale representative for more information.

Some types of this product are connected via the embedded Husqvarna Fleet Services™ sensor that has the Bluetooth Low Energy (BLE) function. For more information regarding how to use it, refer to *To use embedded connectivity with Husqvarna Fleet Services™ on page 13*. For information about the BLE technology radio spectrum, refer to *Embedded connectivity on page 23*. For compliance reservations regarding Husqvarna Fleet Services™, refer to *Compliance reservations on page 5*.

Compliance reservations

Note: Changes or modifications made to this equipment not expressly approved by Husqvarna may void the equipment's compliance with FCC regulations, and limit the user's authority to operate the equipment.

Note: This device complies with Part 15 of the FCC Rules and with Industry Canada licence-exempt RSS standard(s).

Operation is subject to the following two conditions:

- this device may not cause harmful interference
- this device must accept any interference received, including interference that may cause undesired operation

Product damage

We are not responsible for damages to our product if:

- the product is incorrectly repaired.
- the product is repaired with parts that are not from the manufacturer or not approved by the manufacturer.

- the product has an accessory that is not from the manufacturer or not approved by the manufacturer.

- the product is not repaired at an approved service center or by an approved authority.

Safety

Safety definitions

Warnings, cautions and notes are used to point out specially important parts of the manual.



WARNING: Used if there is a risk of injury or death for the operator or bystanders if the instructions in the manual are not obeyed.



CAUTION: Used if there is a risk of damage to the product, other materials or the adjacent area if the instructions in the manual are not obeyed.

Note: Used to give more information that is necessary in a given situation.

General power tool safety warnings



WARNING: Read all safety warnings, instructions, illustrations and specifications provided with this power tool. Failure to follow all instructions listed below may result in electric shock, fire and/or serious injury.

Save all warnings and instructions for future reference.

The term "power tool" in the warnings refers to your mains-operated (corded) power tool or battery-operated (cordless) power tool.

Work area safety

- **Keep work area clean and well lit.** Cluttered or dark areas invite accidents.
- **Do not operate power tools in explosive atmospheres, such as in the presence of flammable liquids, gases or dust.** Power tools create sparks which may ignite the dust or fumes.
- **Keep children and bystanders away while operating a power tool.** Distractions can cause you to lose control.

Electrical safety

- **Power tool plugs must match the outlet. Never modify the plug in any way. Do not use any adapter plugs with earthed (grounded) power tools.** Unmodified plugs and matching outlets will reduce risk of electric shock.
- **Avoid body contact with earthed or grounded surfaces, such as pipes, radiators, ranges and refrigerators.** There is an increased risk of electric shock if your body is earthed or grounded.

- **Do not expose power tools to rain or wet conditions.** Water entering a power tool will increase the risk of electric shock.
- **Do not abuse the cord. Never use the cord for carrying, pulling or unplugging the power tool. Keep cord away from heat, oil, sharp edges or moving parts.** Damaged or entangled cords increase the risk of electric shock.
- **When operating a power tool outdoors, use an extension cord suitable for outdoor use.** Use of a cord suitable for outdoor use reduces the risk of electric shock.
- **If operating a power tool in a damp location is unavoidable, use a residual current device (RCD) protected supply.** Use of a RCD reduces the risk of electric shock.

Personal safety

- **Stay alert, watch what you are doing and use common sense when operating a power tool. Do not use a power tool while you are tired or under the influence of drugs, alcohol or medication.** A moment of inattention while operating power tools may result in serious personal injury.
- **Use personal protective equipment. Always wear eye protection.** Protective equipment such as dust mask, non-skid safety shoes, hard hat or hearing protection used for appropriate conditions will reduce personal injuries.
- **Prevent unintentional starting. Ensure the switch is in the off-position before connecting to power source and/or battery pack, picking up or carrying the tool.** Carrying power tools with your finger on the switch or energising power tools that have the switch on invites accidents.
- **Remove any adjusting key or wrench before turning the power tool on.** A wrench or a key left attached to a rotating part of the power tool may result in personal injury.
- **Do not overreach. Keep proper footing and balance at all times.** This enables better control of the power tool in unexpected situations.
- **Dress properly. Do not wear loose clothing or jewellery. Keep your hair and clothing away from moving parts.** Loose clothes, jewellery or long hair can be caught in moving parts.
- **If devices are provided for the connection of dust extraction and collection facilities, ensure these are connected and properly used.** Use of dust collection can reduce dust-related hazards.
- **Do not let familiarity gained from frequent use of tools allow you to become complacent and ignore tool safety principles.** A careless action can cause severe injury within a fraction of a second.

Power tool use and care

- **Do not force the power tool. Use the correct power tool for your application.** The correct power tool will do the job better and safer at the rate for which it was designed.
- **Do not use the power tool if the switch does not turn it on and off.** Any power tool that cannot be controlled with the switch is dangerous and must be repaired.
- **Disconnect the plug from the power source and/or remove the battery pack, if detachable, from the power tool before making any adjustments, changing accessories, or storing power tools.** Such preventive safety measures reduce the risk of starting the power tool accidentally.
- **Store idle power tools out of the reach of children and do not allow persons unfamiliar with the power tool or these instructions to operate the power tool.** Power tools are dangerous in the hands of untrained users.
- **Maintain power tools and accessories. Check for misalignment or binding of moving parts, breakage of parts and any other condition that may affect the power tool's operation. If damaged, have the power tool repaired before use.** Many accidents are caused by poorly maintained power tools.
- **Keep cutting tools sharp and clean.** Properly maintained cutting tools with sharp cutting edges are less likely to bind and are easier to control.
- **Use the power tool, accessories and tool bits etc. in accordance with these instructions, taking into account the working conditions and the work to be performed.** Use of the power tool for operations different from those intended could result in a hazardous situation.
- **Keep handles and grasping surfaces dry, clean and free from oil and grease.** Slippery handles and grasping surfaces do not allow for safe handling and control of the tool in unexpected situations.

Battery tool use and care

- **Recharge only with the charger specified by the manufacturer.** A charger that is suitable for one type of battery pack may create a risk of fire when used with another battery pack.
- **Use power tools only with specifically designated battery packs.** Use of any other battery packs may create a risk of injury and fire.
- **When battery pack is not in use, keep it away from other metal objects, like paper clips, coins, keys, nails, screws or other small metal objects, that can make a connection from one terminal to another.** Shorting the battery terminals together may cause burns or a fire.
- **Under abusive conditions, liquid may be ejected from the battery; avoid contact. If contact accidentally occurs, flush with water. If liquid contacts eyes, additionally seek medical help.** Liquid ejected from the battery may cause irritations or burns.

- **Do not use a battery pack or tool that is damaged or modified.** Damaged or modified batteries may exhibit unpredictable behaviour resulting in fire, explosion or risk of injury.
- **Do not expose a battery pack or tool to fire or excessive temperature.** Exposure to fire or temperature above 130 °C may cause explosion.
- **Follow all charging instructions and do not charge the battery pack or tool outside the temperature range specified in the instructions.** Charging improperly or at temperatures outside the specified range may damage the battery and increase the risk of fire.

Service

- **Have your power tool serviced by a qualified repair person using only identical replacement parts.** This will ensure that the safety of the power tool is maintained.
- **Never service damaged battery packs.** Service of battery packs should only be performed by the manufacturer or authorized service providers.

General safety instructions



WARNING: Read the warning instructions that follow before you use the product.

- This product is a dangerous tool if you are not careful or if you use the product incorrectly. This product can cause serious injury or death to the operator or others. Before you use the product, you must read and understand the contents of this operator's manual.
- This product is not intended for use by persons (including children) with reduced physical, sensory or mental capabilities, or lack of experience and knowledge.
- Save all warnings and instructions.
- Comply with all applicable laws and regulations.
- The operator and the employer of the operator must know and prevent the risks during operation of the product.
- Do not let a person operate the product unless they read and understand the contents of the operator's manual.
- Do not operate the product unless you receive training before use. Make sure that all operators receive training.
- Do not let a child operate the product.
- Only let approved persons operate the product.
- The operator is responsible for accidents that occur to other persons or their property.
- Do not use the product if you are tired, ill, or under the influence of alcohol, drugs or medicine.
- Always be careful and use your common sense.

- This product produces an electromagnetic field during operation. This field can under some circumstances interfere with active or passive medical implants. To decrease the risk of serious injury or death, we recommend persons with medical implants to speak to their physician and the medical implant manufacturer before operating this product.
- Keep the product clean. Make sure that you can clearly read signs and decals.
- Do not use the product if it is damaged.
- Do not make modifications to this product.
- Do not operate the product if it is possible that other persons have made modifications to the product.

Safety instructions for operation



WARNING: Read the warning instructions that follow before you use the product.

- Make sure that you know how to stop the motor quickly in an emergency.
- The operator must have the physical strength that is necessary to operate the product safely.
- Do not operate the product without all protective covers installed.
- Use personal protective equipment. Refer to *Personal protective equipment on page 9*.
- Make sure that only approved persons are in the work area.
- Keep the work area clean and bright.
- Make sure that you are in a safe and stable position during operation.
- Make sure that there is no risk that you or the product can fall from a height.
- Make sure that there is no grease or oil on the handle.
- Do not use the product in areas where fire or explosions can occur.
- The product can cause objects to eject at high speed. Make sure that all persons in the work area use approved personal protective equipment. Remove loose objects from the work area.
- Before you go away from the product, stop the motor and remove the batteries to make sure that there is no risk of accidental start.
- Make sure that clothes, long hair and jewelry do not get caught in moving parts.
- Do not sit on the product.
- Do not hit the product.
- Always operate the product from behind with your hands on the handle.
- Do not operate the product near electrical cables. The product does not have electrical insulation and injury or death can occur.
- Before you operate the product, find out if there are hidden wires, cables and pipes in the work area. If the product hits a hidden object, stop the motor

immediately and examine the product and the object. Do not start to operate the product again until you know that it is safe to continue.

- Do not touch the bottom plate when you operate the product or after the motor stops. The bottom plate is hot. Hot areas can cause injury.
- Do not touch the bottom plate when you operate the product or after the motor stops. There is a risk of pinching.
- Do not use the product in fog, rain, strong winds, cold weather, risk of lightning or other bad weather conditions. To use the product in bad weather can have a negative effect on your alertness. Bad weather can cause dangerous work conditions, such as slippery surfaces.

Vibration safety



WARNING: Read the warning instructions that follow before you use the product.

- During operation of the product, vibrations go from the product to the operator. Regular and frequent operation of the product can cause or increase the degree of injuries to the operator. Injuries can occur in fingers, hands, wrists, arms, shoulders, and/or nerves and blood supply or other body parts. The injuries can be debilitating and/or permanent, and can increase gradually during weeks, months or years. Possible injuries include damage to the blood circulation system, the nervous system, joints, and other body structures.
- Symptoms can occur during operation of the product or at other times. If you have symptoms and continue to operate the product, the symptoms can increase or become permanent. If these or other symptoms occur, get medical aid:
 - Numbness, loss of feeling, tingling, pricking, pain, burning, throbbing, stiffness, clumsiness, loss of strength, changes in skin color or condition.
- Symptoms can increase in cold temperatures. Use warm clothing and keep your hands warm and dry when you operate the product in cold environments.
- Do maintenance on and operate the product as given in the operator's manual, to keep a correct vibration level.
- The product has a vibration damping system that decreases the vibrations from the handles to the operator. Let the product do the work. Do not push the product with force. Hold the product at the handles lightly, but make sure that you control the product and operate it safely. Do not push the handles into the end stops more than necessary.
- Keep your hands on the handle or handles only. Keep all other body parts away from the product.
- Stop the product immediately if strong vibrations suddenly occurs. Do not continue the operation

before the cause of the increased vibrations is removed.

Dust safety



WARNING: Read the warning instructions that follow before you use the product.

- Operation of the product indoor and in confined spaces can cause dust in the air. Dust can cause serious injury and permanent health problems. Silica dust is regulated as harmful by several authorities. These are examples of such health problems:
 - The fatal lung diseases chronic bronchitis, silicosis and pulmonary fibrosis
 - Cancer
 - Birth defects
 - Skin inflammation
- Use correct equipment to decrease the quantity of dust and fumes in the air and to decrease dust on work equipment, surfaces, clothing and body parts. Examples of controls are dust collection systems and water sprays to bind dust. Decrease dust at the source where possible. Make sure that the equipment is correctly installed and used and that regular maintenance is done.
- Use approved respiratory protection when working indoors or in confined spaces. Make sure that the respiratory protection is applicable for the dangerous materials in the work area.
- Make sure that the airflow is sufficient in the work area.

Noise safety



WARNING: Read the warning instructions that follow before you use the product.

- High noise levels and long-term exposure to noise can cause noise-induced hearing loss.
- To keep the noise level to a minimum, do maintenance on and operate the product as given in the operator's manual.
- Use approved hearing protection while you operate the product.
- Listen for warning signals and voices when you use hearing protection. Remove the hearing protection when the product is stopped, unless hearing protection is necessary for the noise level in the work area.

Personal protective equipment



WARNING: Read the warning instructions that follow before you use the product.

- Always use approved personal protective equipment when you operate the product. Personal protective equipment cannot fully prevent injury but it decreases the degree of injury if an accident does occur. Let your dealer help you select the correct personal protective equipment.
- Regularly do a check of the condition of the personal protective equipment.
- Use an approved protective helmet.
- Use approved hearing protection.
- Use approved respiratory protection when operating the product indoors and in confined spaces.
- Use approved eye protection with side protection.
- Use protective gloves.
- Use boots with steel toe-cap and non-slip sole.
- Use approved work clothing or equivalent close-fitting clothing that has long sleeves and long legs.

Fire extinguisher

- Keep a fire extinguisher near during operation.
- Use a powder fire extinguisher of "ABE" class or a carbon dioxide fire extinguisher of "BE" type.

Safety devices on the product



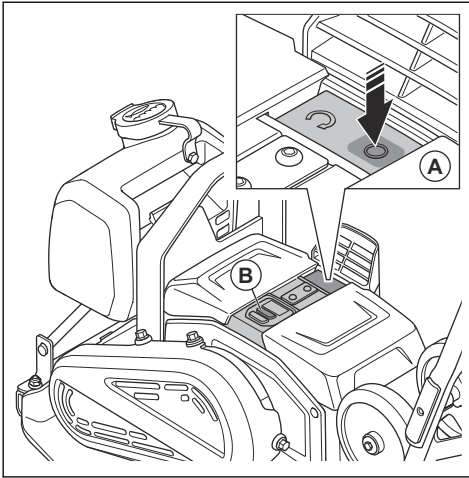
WARNING: Read the warning instructions that follow before you use the product.

- Do not use a product with safety devices that are damaged or do not operate correctly.
- Do a check of the safety devices regularly. If the safety devices are damaged or do not operate correctly, speak to your Husqvarna service agent.
- Do not make modifications to safety devices.

To do a check of the stop button

1. Start the product. Refer to *To start the product on page 13*.

2. Push the "STOP" button.



3. If the motor does not stop, let an approved service center do servicing on the product.

Vibration damping units

The vibration damping units decrease vibration in the product. The vibration damping units decrease harmful vibrations to prevent injury to the operator and damage to the product.

To do a check of the vibration damping units

There are 8 vibration damping units, 4 on the left side and 4 on the right side of the product.

- Make sure that the vibration damping units are correctly installed.
- Examine the vibration damping units for damages and wear.
- Replace the vibration damping units if it is necessary.

Battery safety



WARNING: Read the warning instructions that follow before you use the product.

- Only use the Husqvarna BLi batteries that we recommend for your product. The batteries are software encrypted.
- Use only original batteries for this product. There is a risk of explosion if the batteries are replaced with a battery of incorrect type. Speak to your dealer for more information.
- Use Husqvarna BLi batteries that are rechargeable as a power supply for the related Husqvarna products only. To prevent injury, do not use the battery as a power supply for other devices.

- Risk of electrical shock. Do not connect the battery terminals to keys, screws or other metal. This can cause a short circuit of the battery.
- If the battery leaks, do not let the liquid touch your body or eyes. If you have touched the liquid, clean the area with a large quantity of water and get medical aid.
- Do not use batteries that are non-rechargeable.
- Do not do modifications to the battery.
- Do not put objects into the air slots of the battery.
- Keep the battery away from sunlight, heat or open flame. The battery can explode and cause burns and/or chemical burns.
- Keep the battery away from rain and wet conditions.
- Keep the battery away from microwaves and high pressure.
- Do not try to disassemble or break the battery.
- Use the battery in temperatures between 0 °C/32 °F and 40 °C/104 °F.
- Do not clean the battery or the battery charger with water. Refer to *To clean the battery and the battery charger on page 16*.
- Do not use a damaged battery.
- Keep batteries in storage away from metal objects such as nails, screws or jewelry.
- Keep the battery away from children.

Battery charger safety



WARNING: Read the warning instructions that follow before you use the product.

- Risk of electrical shock or short circuit if the safety instructions are not obeyed.
- This product produces an electromagnetic field during operation. This field may under some circumstances interfere with active or passive medical implants. To reduce the risk of serious or fatal injury, we recommend persons with medical implants to consult their physician and the medical implant manufacturer before operating this product.
- Do not try to disassemble the battery charger.
- Do not do modifications to the battery charger.
- Do not use a damaged battery charger.
- Do not lift the battery charger by the power cord. To disconnect the battery charger from a mains socket, pull out the plug. Do not pull the power cord.
- Let an approved service agent replace the power cord of the battery charger if it is damaged.
- Keep all cables and extension cables away from water, oil and sharp edges. Make sure that the cable is not caught between doors, fences or equivalent. Do not charge while the cable is wound up. This can cause the cable to become too hot.
- Do not use the battery charger near flammable materials or materials that can cause corrosion. Make sure that the battery charger is not covered.

Pull out the plug to the battery charger if there is smoke or fire.

- Only charge the battery indoors in a location with good airflow and away from sunlight. Do not charge the battery outdoors. Do not charge the battery in wet conditions.
- Only use the battery charger where the temperature is between 5 °C/41 °F and 40 °C/104 °F. Use the charger in an environment which has a good airflow, dry and without dust.
- Do not put objects into the air slots of the battery charger.
- Do not connect the battery charger terminals to metal objects as this can short circuit the battery charger.
- Do not charge non-rechargeable batteries in the battery charger or use them in the machine.
- Use an approved power outlet that are not damaged.
- Do not charge if there is a risk of thunderstorm.
- Only charge when the battery charger is on a level surface.
- Keep the battery charger away from children.
- When the battery is charged, disconnect the battery charger from the power outlet.

Safety instructions for operation on slopes



WARNING: Read the warning instructions that follow before you use the product.

- Do not operate the product on a slope that is more than 20°. Loose ground, vibrations and the operation speed can cause the product to fall on a slope that is less than 20°.
- Make sure that the work area is safe. Wet and loose soil decreases safe operation of the product. Be very careful on slopes and rough surfaces.
- Make sure that all persons in the work area are above the product on the slope.
- Operate the product up and down the slope, not from side to side.
- Do not park the product on a slope. If you must park the product on a slope, make sure that the product cannot fall. There is a risk of injury and damage.

Safety instructions for operation near edges



WARNING: Read the warning instructions that follow before you use the product.

- There is a risk that the product falls when you operate it near an edge. Always keep a minimum of ⅓ of the product on a surface that is sufficiently stable to hold the product weight.
- If the product falls, stop the motor before you lift the product back to a surface that is sufficiently stable. Refer to *To stop the product on page 13*.

Safety instructions for maintenance



WARNING: Read the warning instructions that follow before you use the product.

- If the maintenance is not done correctly and regularly, the risk of injury and damage to the product increases.
- Use personal protective equipment. Refer to *Personal protective equipment on page 9*.
- Clean the product to remove dangerous material before you do the maintenance.
- Remove the batteries from the product before you do the maintenance.
- Do not do modifications to the product. Modifications that are not approved by the manufacturer can cause serious injury or death.
- Always use original accessories and spare parts. Accessories and spare parts that are not approved by the manufacturer, can cause serious injury or death.
- Replace damaged, worn or broken parts.
- Only do the maintenance as given in this operator's manual. Let an approved service agent do all other servicing.
- After maintenance, do a check of the vibration level in the product. If it is not correct, speak to an approved service agent.
- Let an approved service agent do servicing on the product regularly.

Bluetooth®



CAUTION: Changes or modifications made to this equipment not expressly approved by Husqvarna may void the FCC authorization to operate this equipment.

Notice: This device complies with Part 15 of FCC Rules and with Industry Canada licence-exempt RSS standard. Operation is subject to the following two conditions:

- This device may not cause harmful interference
- This device must accept any interference received, including interference that cause undesired operation.

Le présent appareil est conforme aux CNR d'Industrie Canada applicables aux appareils radio exempts de licence. L'exploitation est autorisée aux deux conditions suivantes:

- l'appareil ne doit pas produire de brouillage, et
- l'appareil doit accepter tout brouillage radioélectrique subi, même si le brouillage est susceptible d'en compromettre le fonctionnement.

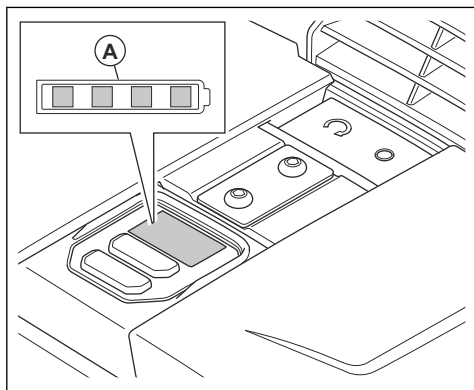
Operation

To do before you operate the product

- Read the operator's manual for this product carefully and make sure that you understand the instructions.
- Read the operator's manual for the battery and the battery charger carefully and make sure that you understand the instructions.
- Do daily maintenance. Refer to *Maintenance schedule on page 15*.
- Make sure that only approved persons are in the work area, because there is a risk of serious injury.
- Use personal protective equipment. Refer to *Personal protective equipment on page 9*.

Battery status

The battery status indicator (A) comes on when you start the product. If you use 2 batteries, the battery status indicator shows the total charge level for the 2 batteries in the product.

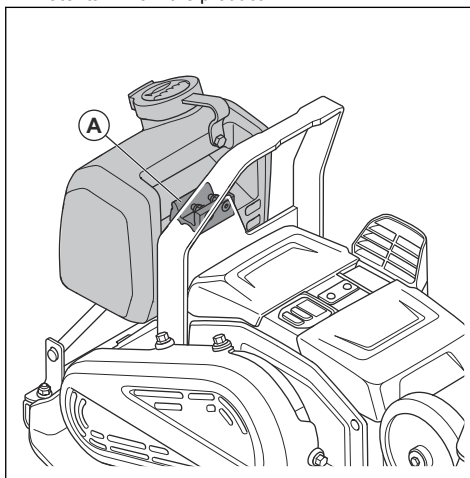


State of charge	Symbol in the status indicator
The battery charge level is 0%–5%.	

To fill the water tank

You can fill the water tank when it is installed on the product, or remove and fill the water tank. To remove and fill the water tank, do the steps that follow:

1. Lift the front part of the rubber lock (A) and lift the water tank from the product.



2. Fill the water tank with water.



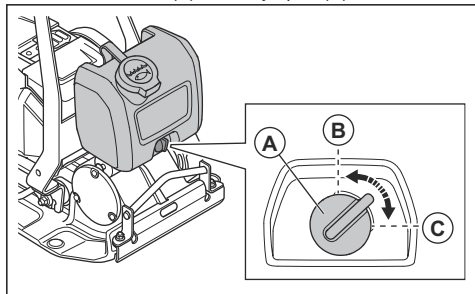
CAUTION: Do not add other fluids than water to the water tank. Other fluids can cause damage to the product and be harmful to the environment.

3. Lift the front part of the rubber lock and push down the water tank into the tank holder.

State of charge	Symbol in the status indicator
The battery charge level is 76%–100%.	
The battery charge level is 51%–75%.	
The battery charge level is 26%–50%.	
The battery charge level is 6%–25%.	

To adjust the water flow

- Turn the water tap (A). Adjust the water flow between closed (B) and fully open (C).



Bluetooth® wireless technology

Products with built-in Bluetooth® wireless technology can connect to mobile devices. The symbol for Bluetooth® wireless technology comes on when your mobile device is connected to the product.



To use embedded connectivity with Husqvarna Fleet Services™

Note: This part is applicable only for products supplied with embedded connectivity.

Note: Radio transmission by the Bluetooth® function will be enabled on the first time of connection to a battery, and stay on after that.

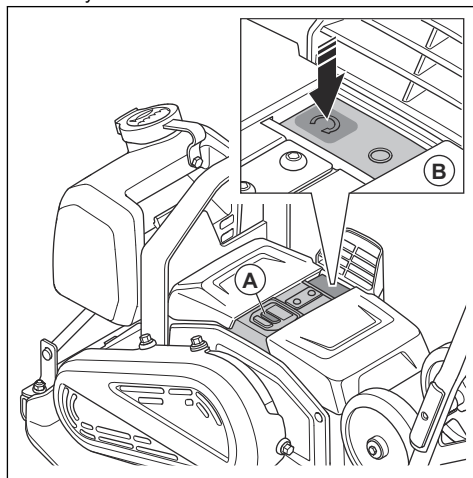
1. Download the Husqvarna Fleet Services™ iOS or Android app Husqvarna Fleet Services.
2. Go to Husqvarna Fleet Services™ website <https://fleetservices.husqvarna.com> for more information.

To start the product

1. Put the 2 batteries in the battery compartment. Make sure that the batteries are correctly installed. Refer to *To install and remove the batteries on page 17*.

Note: You can operate the product with only 1 battery but the operation time will be shorter. If you operate the product with 2 batteries, the product drains 1 battery at a time.

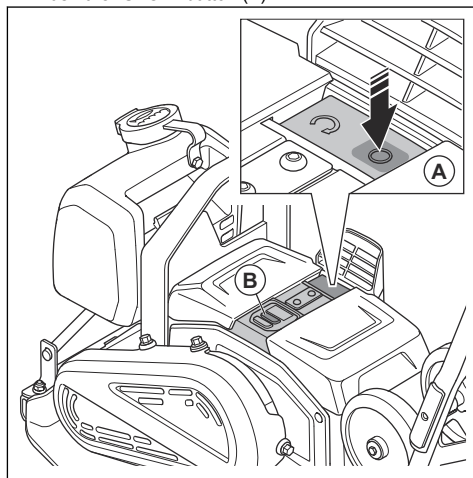
2. Push the ON/OFF button (A). Make sure that the battery level indicators come on.



3. Push the "START" button (B).

To stop the product

1. Push the "STOP" button (A).



2. Push the ON/OFF button (B).
3. Remove the batteries from the product. Refer to *To install and remove the batteries on page 17*.

To operate the product



CAUTION: Always operate the product forward. Rearward movement prevents correct function of the eccentric element and can cause product failure.

1. Hold the handle and steer the product. Do not push the product forward. Let the drive system of the product operate the product forward.



CAUTION: Do not push the product down. Too much pressure can cause unsatisfactory result.



CAUTION: Do not block the air inlet.

2. To change direction, turn the product around.

To adjust the speed

When you start the product, the product operates at standard speed.

1. Start the product, refer to *To start the product on page 13*.
2. Push the slow speed control button. The indicator for low speed comes on.
3. To operate the product at standard speed, push the slow speed control button again. The indicator for low speed goes off.

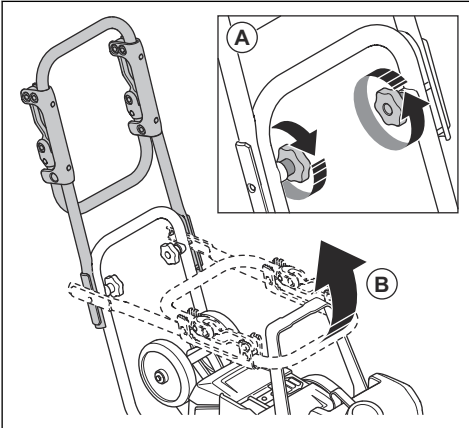
Note: You can adjust the speed with the slow speed control button when the product moves.

To set the product in operation position



WARNING: There is a risk of pinching when you set the product in operation position. Use protective gloves.

1. Loosen the handle knobs (A).

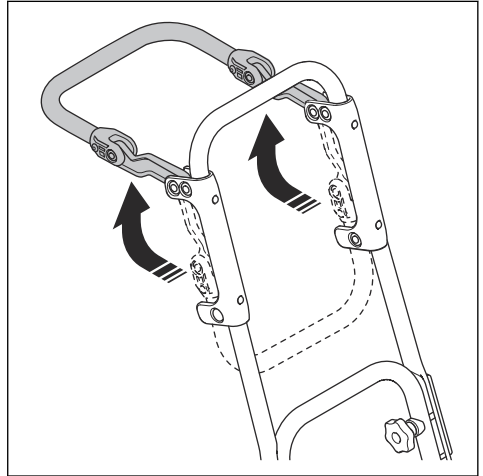


2. Lift the handle (B).
3. Tighten the handle knobs (A).

To fold the low vibration handle up and down

You can use the low vibration handle to decrease the vibration level.

- Pull the low vibration handle to release it from the clamps.



- Fold down the low vibration handle and push it into the clamps to lock it.

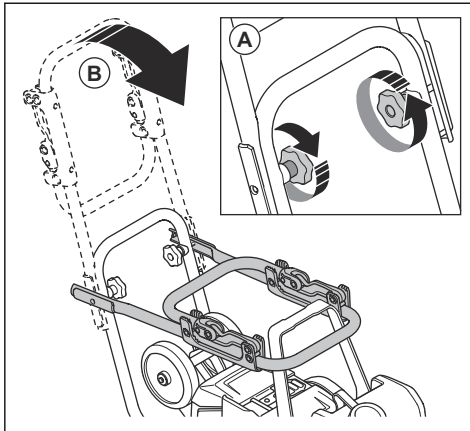


To set the product in transport position



WARNING: There is a risk of pinching when you set the product in transport position. Use protective gloves.

1. Loosen the handle knobs (A).



2. Lower the handle (B).

3. Tighten the handle knobs (A).

Maintenance

Introduction



WARNING: Read and understand the safety chapter before you do maintenance on the product.



WARNING: Remove the batteries before you do maintenance on the product.

Maintenance schedule

* = General maintenance done by the operator. The instructions are not given in this operator's manual.

X = The instructions are given in this operator's manual.

General product maintenance	Before use	Each 100 h
Do a general inspection.	X	
Clean the product.	X	
Clean the battery and the battery charger.	X	
Make sure that the "STOP" button operates correctly and is not damaged.	X	
Examine the battery for damage.	*	
Examine the battery charger for damage and make sure that it operates correctly.	*	
Examine the connections between the battery and the product. Also examine the connection between the battery and the battery charger.	*	
Examine the vibration damping units for damage.		X
Examine the tension of the belt and look for damages. Adjust or replace the belt if it is necessary.		X

To clean the product

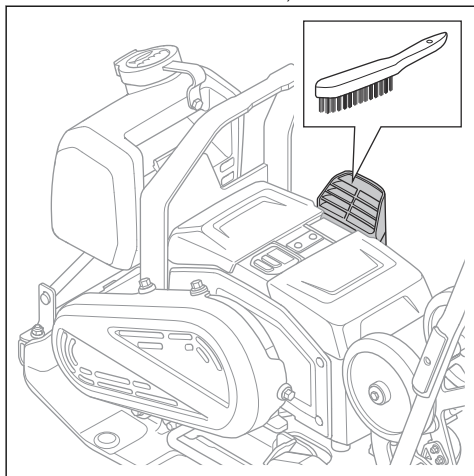
1. Remove the batteries from the product. Refer to *To install and remove the batteries on page 17.*
2. Make sure that the battery covers are closed.

3. Clean the product with compressed air or running water from a hose.

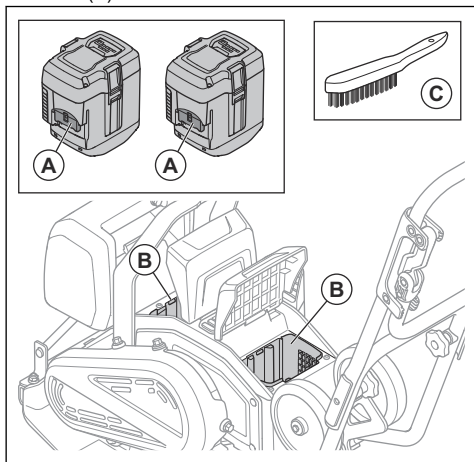


CAUTION: Make sure that water does not go into the battery compartments.

4. Dry the product with a cloth to remove all water.
5. Clean the air intake with a soft, non-metallic brush.



6. Clean the terminals on the batteries (A) and in the battery compartments (B) with a soft, non-metallic brush (C).



To clean the battery and the battery charger



WARNING: Do not clean the battery or the battery charger with water.



WARNING: Do not use any chemical substances to clean the battery.

- Make sure that the battery and the battery charger are clean and dry before you put the battery into the battery charger.
- Clean the battery terminals with compressed air or use a soft and dry cloth.
- Clean the surfaces of the battery and the battery charger with a soft and dry cloth.

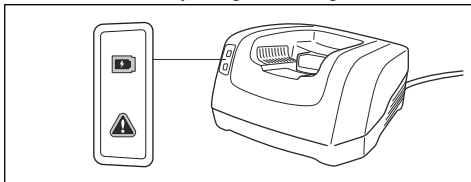
To charge the battery

Charge the battery before the first use. The battery is only 30% charged when supplied to the customer.

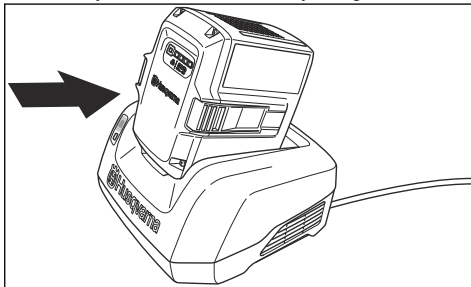
Note: The battery charger must be connected to the voltage and frequency specified on the rating plate.

The battery does not charge if the battery temperature is above 50 °C/122 °F. The battery charger decreases the temperature of the battery before it starts to charge.

1. Connect one end of the power cord for the battery charger into the socket of the battery charger.
2. Connect the other end of the power cord for the battery charger in an grounded mains socket. The LED on the battery charger flashes green one time.



3. Put the battery in the battery charger. The green light on the charger comes on when the battery is correctly connected to the battery charger.



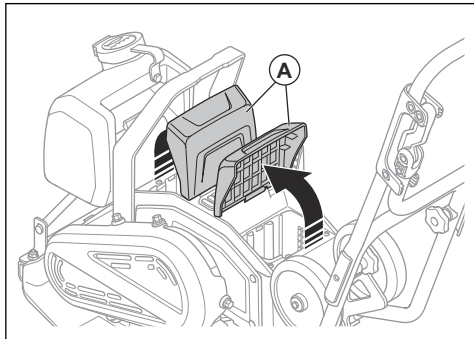
4. When all LEDs on the battery have come on the battery is fully charged. Charge the battery for maximum 24 hours.
5. To disconnect the battery charger from the mains socket, pull the plug, not the power cord.
6. Remove the battery from the battery charger.

To do a general inspection

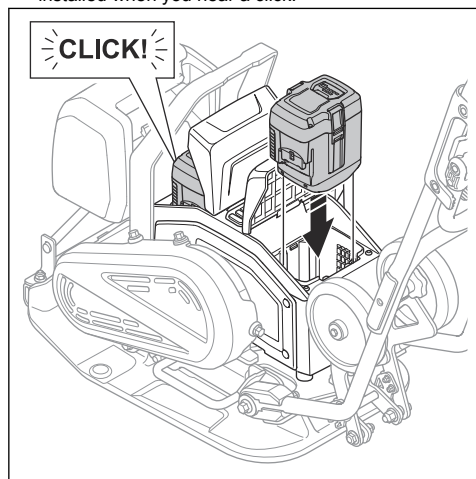
- Make sure that all nuts and screws on the product are tightened correctly.

To install and remove the batteries

1. Stop the product. Refer to *To stop the product on page 13*.
2. Lift up the battery covers (A).



3. Install the batteries. The batteries are correctly installed when you hear a click.



WARNING: Only use original Husqvarna BLi batteries.



CAUTION: Do not use force to install the batteries. If the batteries cannot easily go into the battery compartments, the batteries are not installed correctly.

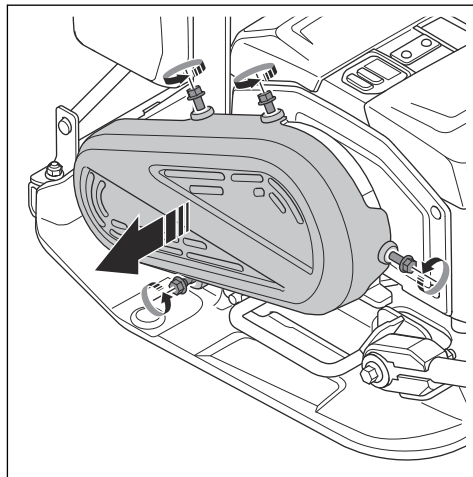
4. Make sure that the battery covers are fully closed to prevent that moist and dirt enter the battery compartments.
5. Remove the batteries in the opposite sequence.

To do a check of the belt

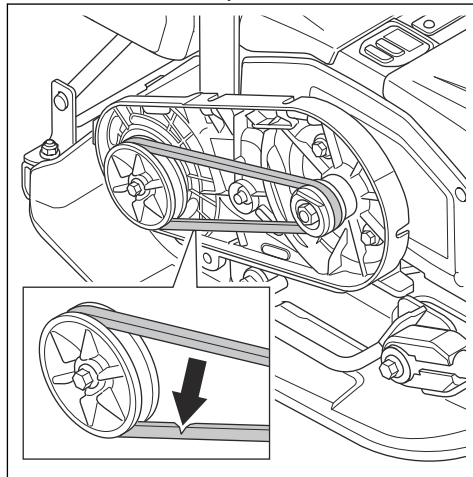


WARNING: Do not operate the product without the belt cover installed.

1. Remove the batteries from the product. Refer to *To install and remove the batteries on page 17*.
2. Loosen the 4 bolts and remove the belt cover.



3. Examine the belt for damages and wear. Replace the belt if it is necessary.



4. Examine the tension of the belt. The correct tension is 60–80 N.

5. If the tension is not correct, replace the belt.

6. Install the belt cover and the 4 bolts. Tighten the bolts to 10 Nm.

Troubleshooting

Problem	Cause	Solution
The product does not start.	The battery is not installed correctly.	Install the battery correctly. Make sure that there is no loose battery connector cable on the product.
	Low battery voltage.	Charge the battery
	The battery is damaged.	Replace the battery.
The battery does not charge.	The battery charger is not connected to a mains outlet.	Connect the battery charger to a mains outlet.
	The battery charger connector is not connected to the battery.	Connect the battery charger connector to the battery.
The battery stops to charge.	The temperature of the battery is too high.	Make sure that there is no distance between the air intake of the battery charger and the air intake/air outlet of the battery.
Unusual noises from the battery.	–	Speak to an approved service agent.
The warning indicator on the product flashes.	The battery or the electronics are too hot.	Let the product and the batteries become cool.
	The START/STOP button is in the START position when you set the ON/OFF button to the ON position.	Set the START/STOP button to the STOP position and then to the START position again.
The warning indicator for the battery flashes.	The battery is too hot or too cold.	Let the product become cool or move the product indoors and let it become warm.
The product does not start and unusual noises come from the motor.	The tension in the belt is too high.	Do a check of the tension in the belt.
	The operation temperature is too low.	Operate the product in the correct operation temperature.
The product has no traction.	The tension in the belt is too low.	Increase the tension in the belt.
	The belt is damaged.	Replace the belt.

Transportation, storage and disposal

Transportation



WARNING: Be careful during transportation. The product is heavy and can cause injury or damage if it falls or moves during transportation.



WARNING: Remove the batteries from the product before transportation. Refer to *To install and remove the batteries on page 17.*

The transport wheels let you move the product manually for shorter distances. For longer distances, use lifting equipment to lift the product or put the product on a vehicle.



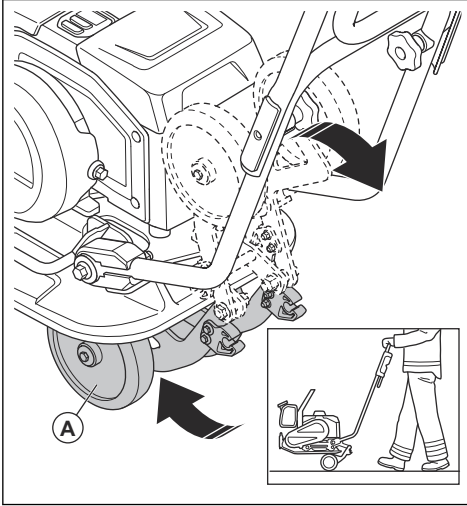
CAUTION: Do not tow the product behind a vehicle.

To engage the transport wheels



WARNING: Be careful when you engage the transport wheels. There is a risk of pinching.

- Fold down the transport wheels (A), below the bottom plate.



To lift the product



WARNING: Make sure that the lifting equipment has the correct specification to lift the product safely. The type plate on the product shows the product weight.

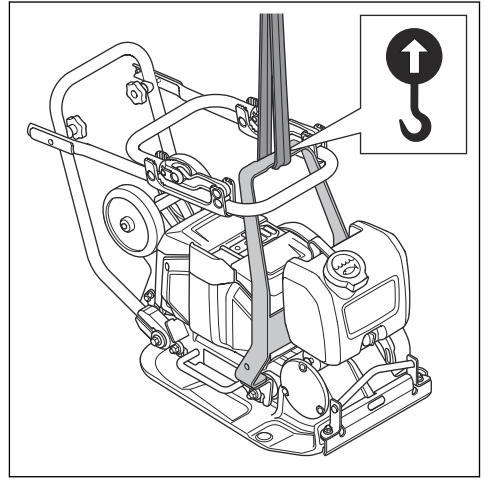


WARNING: Do not walk or stay below or near a lifted product.



WARNING: Remove the batteries from the product before you lift the product. Refer to *To install and remove the batteries on page 17.*

- Attach the lifting equipment at the lifting point of the safety frame. A label on the product identifies the correct position.



WARNING: Do not use metal hooks, chains or other lifting equipment with rough edges that can cause damage to the lifting point.

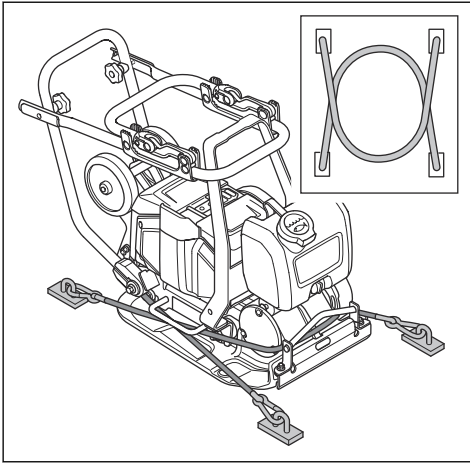


WARNING: Do not lift a damaged product. Make sure that the safety frame and the vibration damping units are correctly installed and not damaged.

To safely the product to a transportation vehicle with tie-down straps

1. Put the handle in transport position. Refer to *To set the product in transport position on page 14.*

2. Put 2 straps around the bottom plate.



- a) Put 1 strap around the front of the bottom plate and attach the strap to the vehicle.
- b) Put 1 strap around the rear of the bottom plate and attach the strap to the vehicle.

- Speak to a person with special training in dangerous material before you send the product. Obey all applicable national regulations.
- Use tape on open contacts when you put the batteries in a package. Put the batteries in the package tightly to prevent movement.
- Do not keep the batteries in an area where static electricity can occur. Do not keep the batteries in a metal box.
- Put the batteries in a dry, frost free and clean space with correct temperature.
- Put the batteries in storage where the temperature is between 5 °C (41 °F) and 25 °C (77 °F) and away from open sunlight.
- Charge the battery 30% to 50% before you put it in storage for long periods. Do a check of the state of charge of the battery yearly.
- Clean the batteries before you put them in storage.
- Remove the batteries from the product before storage.
- Put the battery charger in storage where the temperature is between 5 °C (41 °F) and 25 °C (77 °F) and away from open sunlight.
- Put the battery charger in storage in a space that is closed and dry.
- Keep the battery away from the battery charger during storage.

Storage

- Remove the batteries from the product before storage. Refer to *To install and remove the batteries on page 17* for information about storage for the batteries and the battery charger.
- Clean the product and do a full servicing before you put the product in storage for a long time.
- Put the product in storage in a space that is dry and frost free.
- Put a protective cover on the product before storage.
- Put the product in a locked area to prevent access for children or persons that are not approved.

Battery and charger transportation and storage

- The supplied Li-ion batteries obey the Dangerous Goods Legislation requirements.
- Obey the special requirement on package and labels for commercial transportations, including by third parties and forwarding agents.

Disposal of the battery, battery charger and product

The symbol below means that the product is not domestic waste. Recycle it at a recycling station for electrical and electronic equipment. This helps to prevent damage to the environment and to persons.

Speak to local authorities, domestic waste service or your dealer for more information.



Note: The symbol shows on the product or package of the product.

Technical data

Motor type	BLDC 36 V
Weight with battery, kg/lb. ¹	69/152

¹ Including 2 x BLi300 batteries and half full water tank

Weight without battery, kg/lb. ²	65/143
Vibration frequency, Hz/rpm	95±2/5700±120
Amplitude, mm/in. ³	0,95/0,04
Operation speed, m/min / ft./min. ⁴	20/66
Centrifugal force, kN/lbf	10.4/2338
Max. tilt, degrees/%	20/36
Water tank for asphalt, l/gal	5.0/1.3
Ambient temperature, °C/°F	-10–40/14–104

Noise and vibration emissions	
Sound power level, measured dB (A)	98.5
Sound power level, guaranteed L_{WA} dB (A). ⁵	100
Sound pressure level at the operator's ear, L_p , dB (A). ⁶	85
Vibration level at standard speed, a_{hv} , m/s ² , standard handle/low vibration handle. ⁷	6.46/1.96
Vibration level at slow speed, a_{hv} , m/s ² , standard handle/low vibration handle. ⁸	8.7/2.46

Approved batteries for the product

Battery	BLi200	BLi300	40-B220X	40-B330X
Type	Lithium-ion	Lithium-ion	Lithium-ion	Lithium-ion
Nominal voltage, V	36	36	36	36

² Including half full water tank

³ Applies on gravel

⁴ Speed on gravel

⁵ Noise emissions in the environment measured as sound power (L_{WA}) as per EN ISO 3744 in conformity with EC directive 2000/14/EC. The difference between guaranteed and measured sound power is that the guaranteed sound power also includes dispersion in the measurement result and the variations between different machines of the same model according to Directive 2000/14/EC.

⁶ Sound pressure level L_p according to EN ISO 11201, EN 500-4. Uncertainty K_{PA} 3.0 dB (A).

⁷ Vibration value according to EN 500-4. Reported data for vibration level has a typical statistical dispersion (standard deviation) of 1.5 m/s².

⁸ Vibration value according to EN 500-4. Reported data for vibration level has a typical statistical dispersion (standard deviation) of 1.5 m/s².

Approved battery chargers for the product

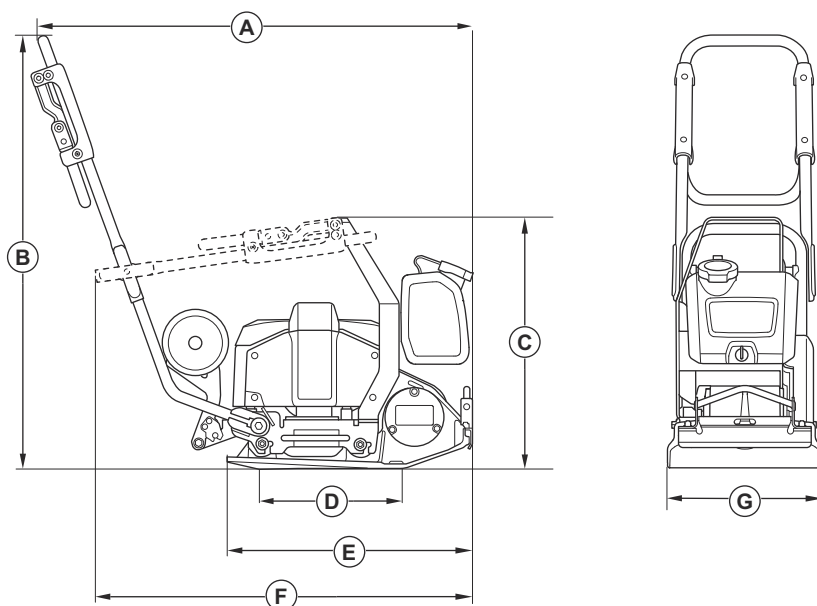
Battery charger	QC330	QC500
Mains voltage, V	100-240	100-240
Frequency, Hz	50-60	50-60
Power, W	330	500

Noise and vibration declaration statement

These declared values were obtained by laboratory type testing in accordance with the stated directive or standards and are suitable for comparison with the declared values of other products tested in accordance with the same directive or standards. These declared

values are not suitable for use in risk assessments and values measured in individual work places may be higher. The actual exposure values and risk of harm experienced by an individual user are unique and depend upon the way the user works, in what material the product is used, as well as upon the exposure time and the physical condition of the user, and the condition of the product.

Product dimensions



A	Length including handle, mm/in.	974/38.3
B	Handle height, mm/in.	968/38.1
C	Height with handle folded, mm/in.	561/22.1

D	Bottom plate contact area, m ² /sq. ft.	0.093/1.001
E	Length bottom plate, mm/in	550/21.7
F	Length with handle folded, mm/in.	834/32.8
G	Width, mm/in.	350/13.7

Embedded connectivity

Note: This part is applicable only for products supplied with embedded connectivity.

BLE technology radio spectrum	
Frequency bands for the tool, GHz	2.402-2.480
Maximum radio-frequency power transmitted, dBm/mW	0/1

Declaration of Conformity

EC Declaration of Conformity

We, **Husqvarna AB**, SE-561 82 Huskvarna, Sweden, tel: +46-36-146500, declare on our sole responsibility that the product:

Description	Forward Plate Compaction Machine
Brand	Husqvarna
Type/Model	LF 60i LAT
Identification	Serial numbers dating from 2024 and onwards

complies fully with the following EU directives and regulations:

Directive/Regulation	Description
2006/42/EC	"relating to machinery"
2000/14/EC	"relating to outdoor noise"
2014/53/EU	"relating to radio equipment"
2011/65/EU	"relating to restriction of hazardous substances"

and that the following harmonized standards and/or technical specifications are applied:

EN ISO 12100:2010
EN 62841-1:2015+AC:2015
EN 500-1:2006+A1:2009
EN 500-4:2011
EN 55014-1:2017+A11:2020
EN 55014-2:1997+A1:2001+A2:2008+AC:1997
ETSI EN 300 328 V2.2.2
ETSI EN 301 489-1 V2.2.3
ETSI EN 301 489-17 V3.3.1
EN IEC 63000:2018

Notified body: 0404, SMP Svensk Maskinprovning AB, Box 4053, SE-904 32 Umeå, Sweden, has certified conformity with the council's directive 2000/14/EC, conformity assessment procedure: Annex VI.

For information relating to noise emissions, refer to the chapter *Technical data on page 20*.

Partille, 2024-02-13



Martin Huber
R&D Director, Concrete Surfaces & Floors
Husqvarna AB, Construction Division
Responsible for technical documentation

UK Declaration of Conformity

We, **Husqvarna AB**, SE-561 82 Huskvarna, Sweden, tel: +46-36-146500, declare on our sole responsibility that the product:

Description	Forward Plate Compaction Machine
Brand	Husqvarna
Type/Model	LF 60i LAT
Identification	Serial numbers dating from 2024 and onwards

complies fully with the following EU directives and regulations:

Description
The Supply of Machinery (Safety) Regulations 2008
The Noise Emission in the Environment by Equipment for use Outdoors Regulations 2001
The Radio Equipment Regulations 2017
The Restriction of the Use of Certain Hazardous Substances in Electrical and Electronic Equipment Regulations 2012

and that the following harmonized standards and/or technical specifications are applied;

EN ISO 12100:2010

EN 62841-1:2015+AC:2015

EN 500-1:2006+A1:2009

EN 500-4:2011

EN 55014-1:2017+A11:2020

EN 55014-2:1997+A1:2001+A2:2008+AC:1997

ETSI EN 300 328 V2.2.2

ETSI EN 301 489-1 V2.2.3

ETSI EN 301 489-17 V3.3.1

EN IEC 63000:2018

Notified body: 0404, SMP Svensk Maskinprovning AB, Box 4053, SE-904 32 Umeå, Sweden, has certified conformity with the Outdoor Noise Regulations of 2001, conformity assessment procedure: Schedule 9.

For information relating to noise emissions, refer to the chapter *Technical data on page 20*.

Partille, 2024-02-13



Martin Huber

R&D Director, Concrete Surfaces & Floors

Husqvarna AB, Construction Division

Responsible for technical documentation

**UK
CA**

UK Importer:

Husqvarna UK Ltd

Preston Road, Co. Durham

DL5 6UP

Registered trademarks

The *Bluetooth*[®] word mark and logos are registered trademarks owned by *Bluetooth SIG, inc.* and any use of such marks by Husqvarna is under license.



www.husqvarnaconstruction.com

Original instructions



1143935-26 Rev. B



2024-04-02