



**Husqvarna®**

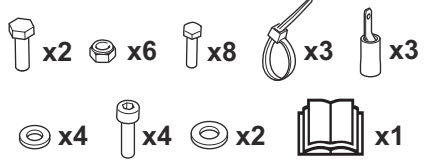
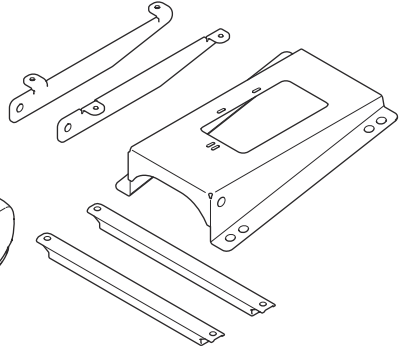
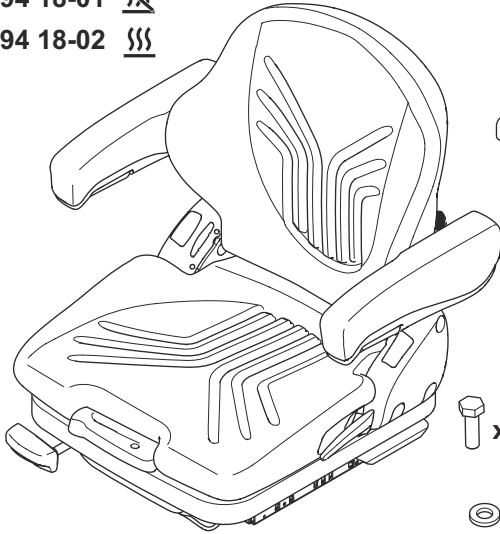
## **Husqvarna Attachments**

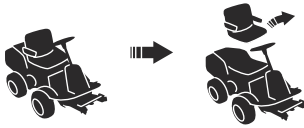
538 94 18-01 - Grammer seat P 524X (without heat)

538 94 18-02 - Grammer seat P 524X (with heat)

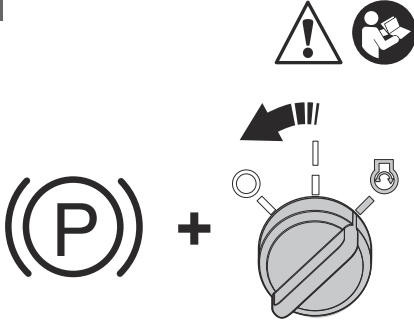
538 94 18-01 

538 94 18-02 

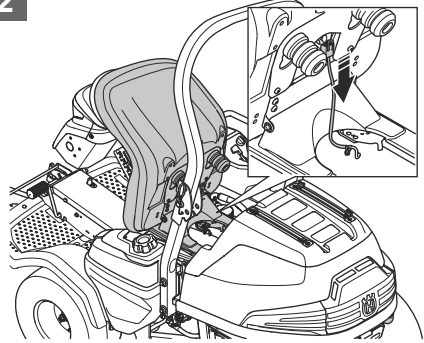




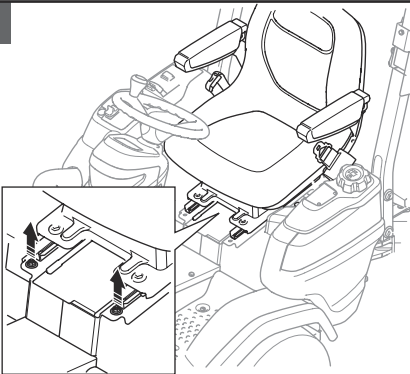
1



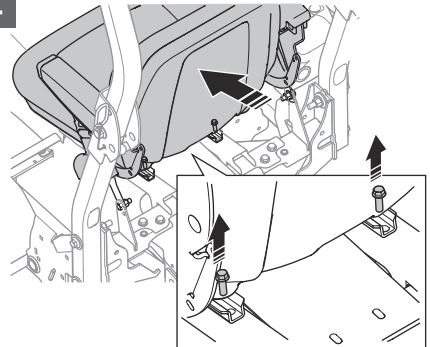
2



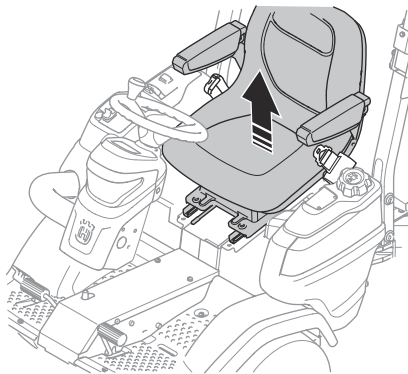
3

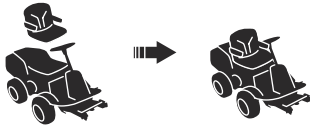


4

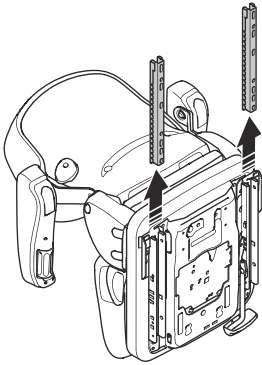


5

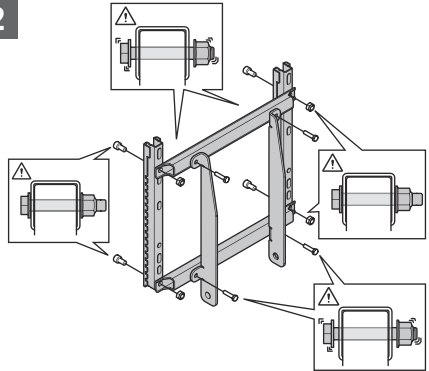




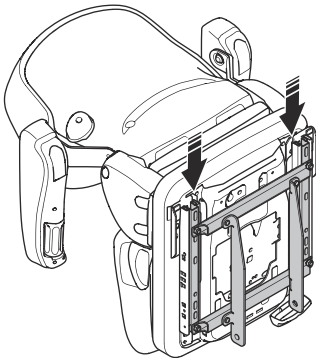
1



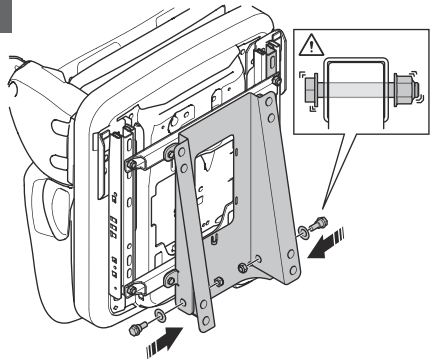
2



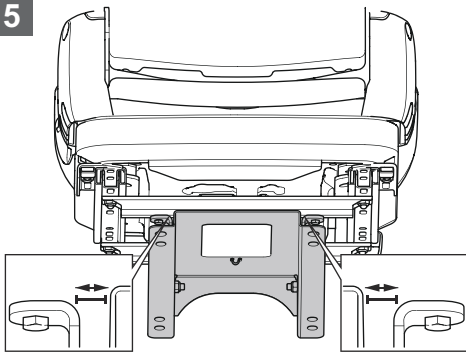
3



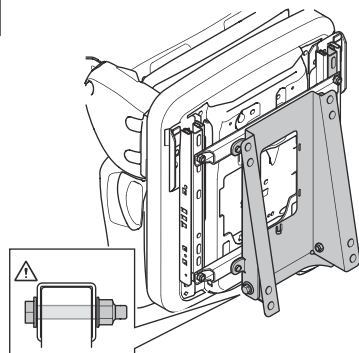
4

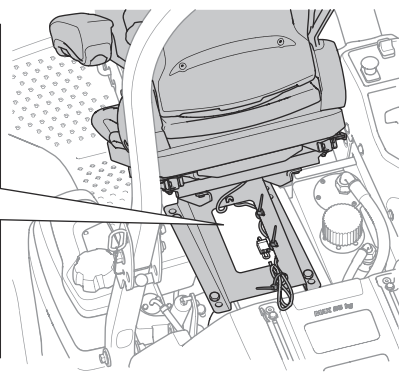
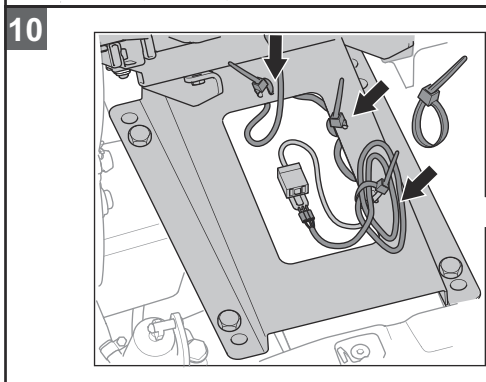
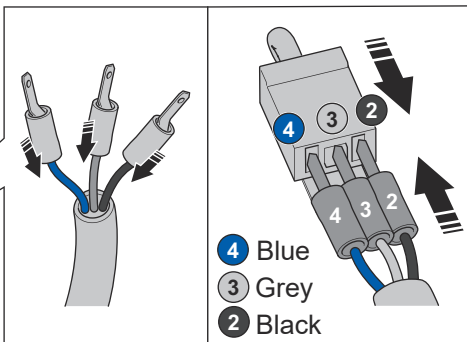
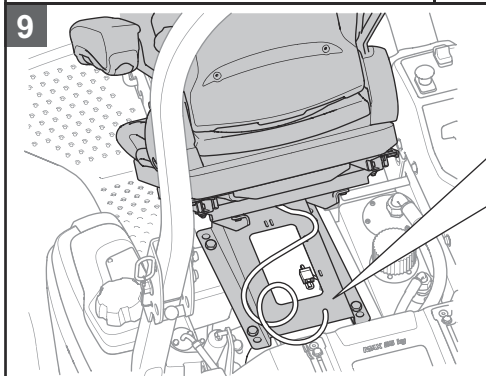
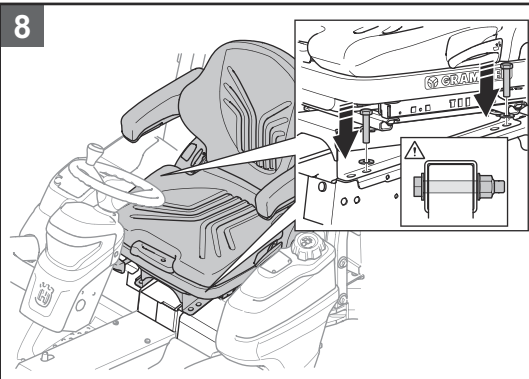
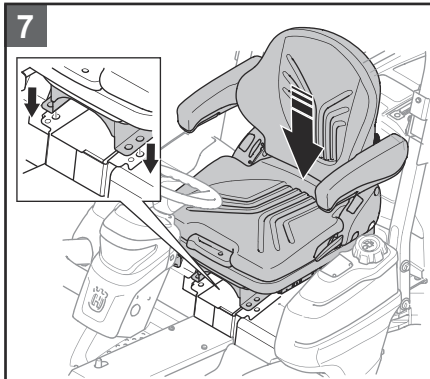


5



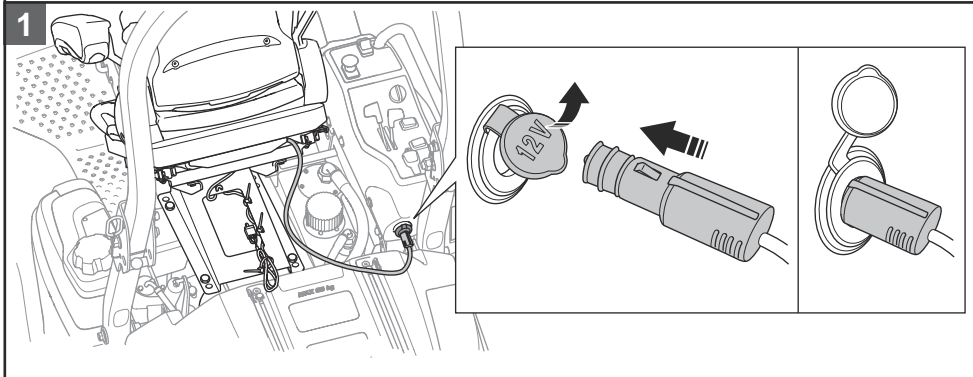
6







538 94 18-02







[www.husqvarna.com](http://www.husqvarna.com)

Original instructions



546169401



2023-03-21